

# AGS

# QUICK GUIDE

This document is a concise version of the model manual. This document is not meant to be a replacement of the manual. To download the full manual please scan the QRcode below or locate the data label on the model and scan the QRcode.

ECO™ heat transfer coolers

CE  
EAC  
UK  
CA

**MODINE**

MANUFACTURER:  
MODINE CIS ITALY S.R.L.  
VIA GIULIO LOCATELLI, 22  
33050 POCENIA (UDINE) ITALY

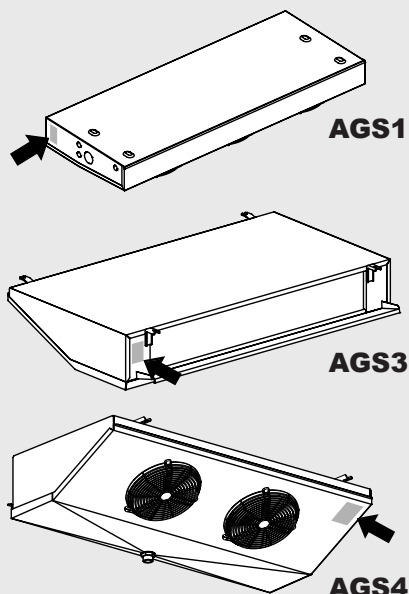
MADE IN ITALY/EU

MODEL AGS41EH4ED  
SERIAL NR. AA123456789      DATE 01/01/2021  
NET WEIGHT [KG] 13      CAPACITY [L] 1.2  
CUSTOMER CODE

PS [BAR] 30      FLUID GROUP 1. G  
TS MAX/MIN [°C] 125/-40      VOL [L]  
CAT (PED) Art. 4 par. 3      DN 14

NR. OF MOTORS 01      RPM 1350-1500  
MOTORS POW. SUPPLY 230V/1/50-60HZ  
TOT. 83 W 0.64 A

HEATERS POWER SUPPLY 230V/1/50-60HZ  
HEATERS TOT 450W



ECO™ heat transfer coolers

CE  
EAC  
UK  
CA

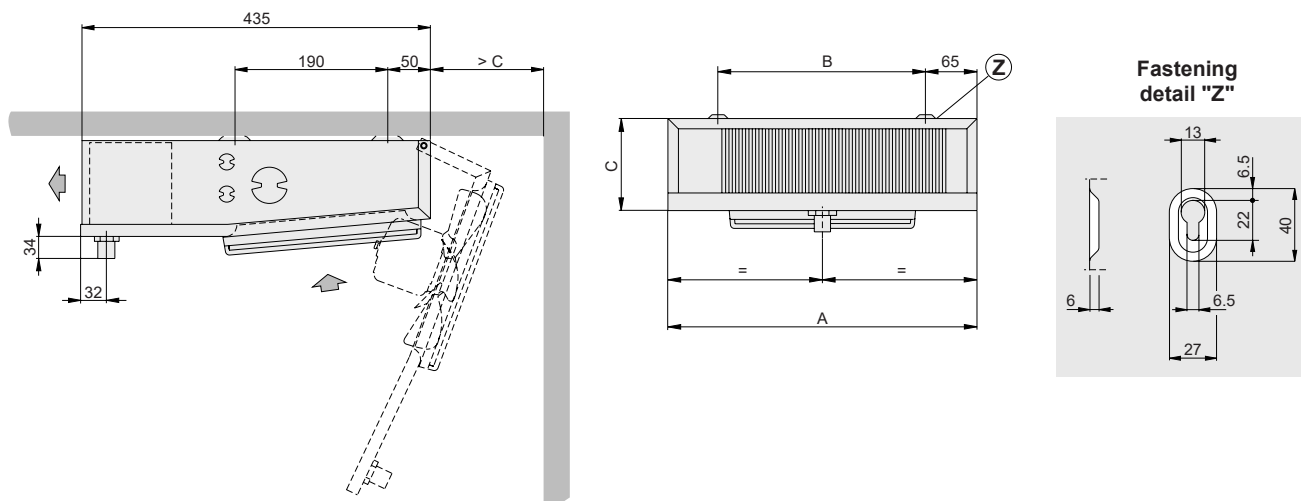
Link to user manuals:

IT ES  
EN FR  
DE RU

**!** Before removing the packaging, handling, assembling, positioning, commissioning of the machine and before performing any work on the model, download and carefully read all the information in the manual. If in doubt contact Modine.

## Construction and dimensional features

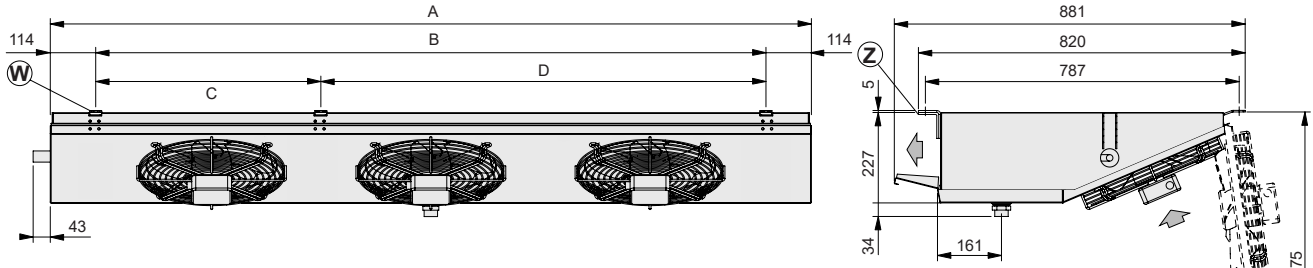
### AGS1 - Ø200 fan diameter unit



| Model            | AGS       | 11EH3 | 11AH3 | 12EH3 | 12AH3 | -        | 12LH3    | 12MH3    | 13EH3    | 13AH3    | 13MH3    | 14MH3    |
|------------------|-----------|-------|-------|-------|-------|----------|----------|----------|----------|----------|----------|----------|
|                  |           | 11EL4 | 11AL4 | 12EL4 | -     | 12AL4    | 12LL4    | 12ML4    | 13EL4    | 13AL4    | 13ML4    | 14ML4    |
| Fan motors       | n° x Ø mm | 1x200 | 1x200 | 2x200 | 2x200 | 2x200    | 2x200    | 2x200    | 3x200    | 3x200    | 3x200    | 4x200    |
| Dimensions       | A         | 411   | 411   | 611   | 611   | 611      | 611      | 861      | 1111     | 1111     | 1111     | 1461     |
|                  | B         | 271   | 271   | 471   | 471   | 471      | 471      | 721      | 971      | 971      | 971      | 1321     |
|                  | C         | 120   | 120   | 120   | 120   | 120      | 170      | 170      | 120      | 120      | 170      | 170      |
| Coil connections | In (mm)   | 9.52  | 9.52  | 9.52  | 9.52  | 1/2" SAE | 1/2" SAE | 1/2" SAE | 1/2" SAE | 1/2" SAE | 1/2" SAE | 1/2" SAE |
|                  | Out (mm)  | 9.52  | 9.52  | 9.52  | 9.52  | 16       | 16       | 16       | 16       | 16       | 16       | 16       |
| Drain connection | Ø (GAS)   | 1/2"  | 1/2"  | 1/2"  | 1/2"  | 1/2"     | 1/2"     | 1/2"     | 1/2"     | 1/2"     | 1/2"     | 1/2"     |
| Net weight       | kg        | 4.0   | 4.6   | 6.7   | 7.3   | 7.2      | 10.7     | 13.8     | 10.5     | 11.5     | 17.0     | 23.0     |

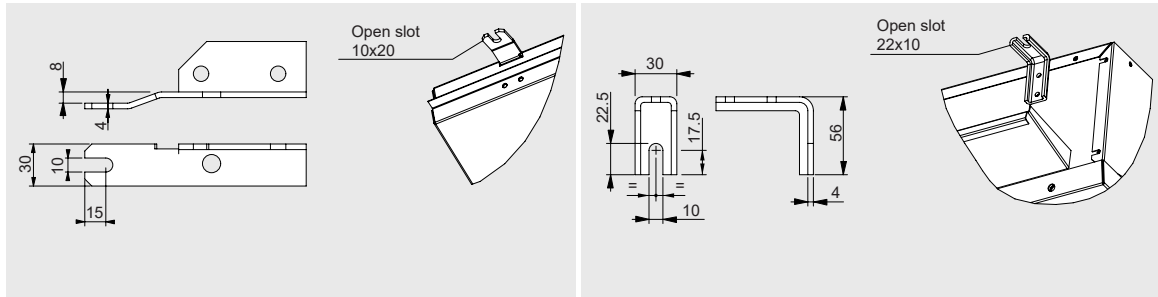
Use thermostatic valve with external pressure equalizer

**AGS3 - Ø315 fan diameter unit**



**Fastening detail "W"**

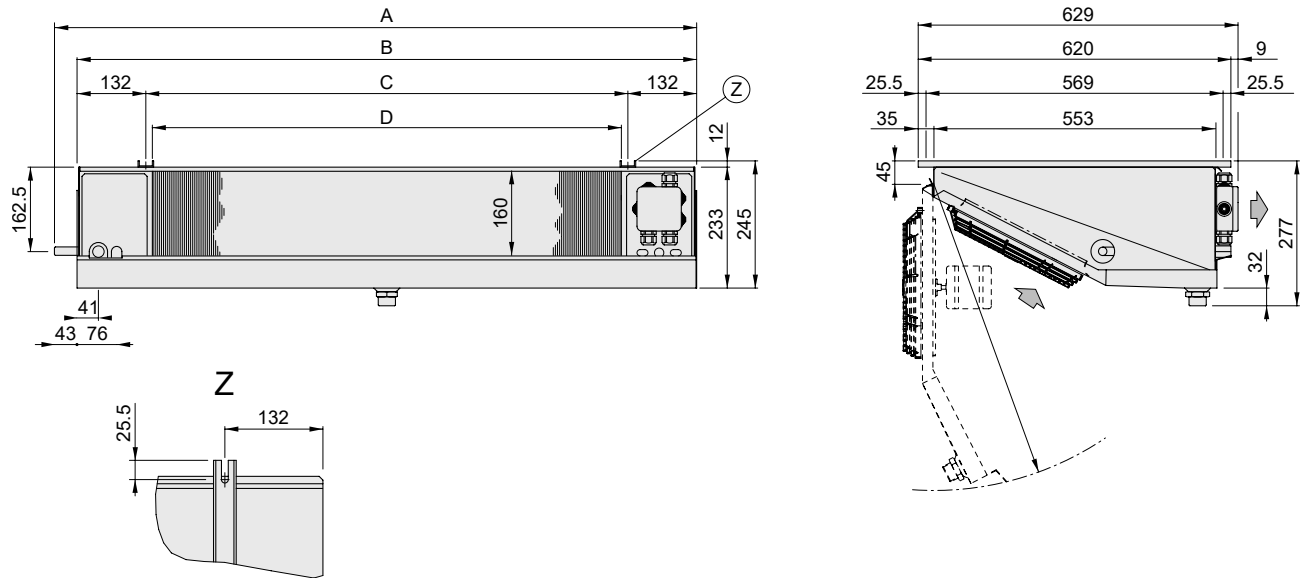
**Fastening detail "Z"**



| Model            | AGS       | 31AH4 | 32AH4 | 33AH4 | 34AH4 |
|------------------|-----------|-------|-------|-------|-------|
|                  |           | 31BL7 | 32BL7 | 33BL7 | 34BL7 |
| Fan motors       | n° x Ø mm | 1x315 | 2x315 | 3x315 | 4x315 |
| Dimensions       | A         | 810   | 1360  | 1910  | 2460  |
|                  | B         | 582   | 1132  | 1682  | 2232  |
|                  | C         | -     | -     | 565   | 1115  |
|                  | D         | -     | -     | 1117  | 1117  |
| Coil connections | In (mm)   | 12    | 12    | 12    | 16    |
|                  | Out (mm)  | 16    | 22    | 28    | 28    |
| Drain connection | Ø (GAS)   | 1"    | 1"    | 1"    | 1"    |
| Net weight       | kg        | 19    | 30    | 46    | 62    |

Use thermostatic valve with external pressure equalizer

**AGS4 - Ø250 fan diameter unit**



| Model            | AGS       | 41GH4 | 41EH4 | 41FL7 | 42GH4 | 42EH4 | -     | 42FL7 | 43GH4 | 43EH4 | 43FL7 | 44GH4 | 44EH4 | 44FL7 |
|------------------|-----------|-------|-------|-------|-------|-------|-------|-------|-------|-------|-------|-------|-------|-------|
|                  |           | 41GL7 | 41EL7 | -     | 42GL7 | -     | 42EL7 | -     | -     | -     | 43EL7 | -     | -     | 44EL7 |
| Fan motors       | n° x Ø mm | 1x250 | 1x250 | 1x250 | 2x250 | 2x250 | 2x250 | 2x250 | 3x250 | 3x250 | 3x250 | 4x250 | 4x250 | 4x250 |
| Dimensions       | A         | 782   | 782   | 782   | 1232  | 1232  | 1232  | 1232  | 1682  | 1682  | 1682  | 2132  | 2132  | 2132  |
|                  | B         | 739   | 739   | 739   | 1189  | 1189  | 1189  | 1189  | 1639  | 1639  | 1639  | 2089  | 2089  | 2089  |
|                  | C         | 475   | 475   | 475   | 925   | 925   | 925   | 925   | 1375  | 1375  | 1375  | 1825  | 1825  | 1825  |
|                  | D         | 451   | 451   | 451   | 901   | 901   | 901   | 901   | 1351  | 1351  | 1351  | 1801  | 1801  | 1801  |
| Coil connections | In (mm)   | 12    | 12    | 12    | 12    | 12    | 12    | 12    | 12    | 12    | 12    | 12    | 12    | 12    |
|                  | Out (mm)  | 16    | 16    | 16    | 16    | 16    | 22    | 22    | 16    | 22    | 22    | 22    | 22    | 22    |
| Drain connection | Ø (GAS)   | 1"    | 1"    | 1"    | 1"    | 1"    | 1"    | 1"    | 1"    | 1"    | 1"    | 1"    | 1"    | 1"    |
| Net weight       | kg        | 12    | 13    | 13    | 19    | 21    | 21    | 21    | 25    | 27    | 26    | 32    | 35    | 35    |

Use thermostatic valve with external pressure equalizer

## Wiring diagrams

### Motor-fan connection diagram

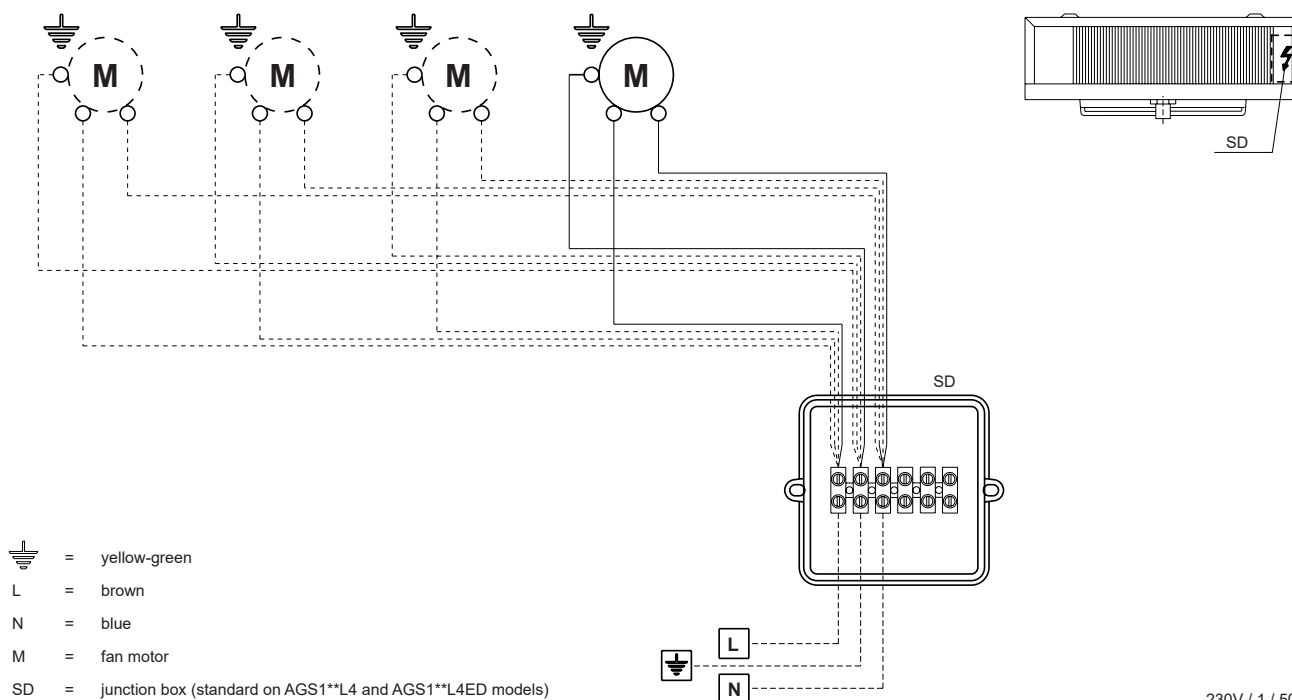
**Important.** The motors are equipped with inner thermal protection with automatic reconnection. Before using motor speed control systems verify the compatibility with the motors. Non compatible systems may damage motors or increase noise level; Modine will not be responsible for model performance with speed control systems. For fans equipped with thermal contacts (TK), these must be connected to the control circuit. For models supplied with wiring in a junction box, remove the cover to make the connection.

| Model                  | AGS       | 11EH3 | 11AH3 | 12EH3 | 12AH3 | 12LH3 | 12MH3 | 13EH3 | 13AH3 | -    | 13MH3 | 14MH3 |      |
|------------------------|-----------|-------|-------|-------|-------|-------|-------|-------|-------|------|-------|-------|------|
|                        |           | 11EL4 | 11AL4 | 12EL4 | 12AL4 | 12LL4 | 12ML4 | 13EL4 | 13AL4 | -    | 13ML4 | 14ML4 |      |
| Fan motors             | n° x Ø mm | 1x200 |       | 2x200 |       |       |       | 3x200 |       |      | 4x200 |       |      |
| Frequency              | Hz        | 50    | 60    | 50    |       | 60    |       | 50    |       | 60   |       | 50    | 60   |
| Electrical consumption | A         | 0.35  | 0.35  | 0.70  |       | 0.70  |       | 1.05  |       | 1.05 |       | 1.40  | 1.40 |
|                        | W         | 53    | 53    | 106   |       | 106   |       | 159   |       | 159  |       | 212   | 212  |
| RPM                    |           | 1300  | 1300  | 1300  |       | 1300  |       | 1300  |       | 1300 |       | 1300  | 1300 |

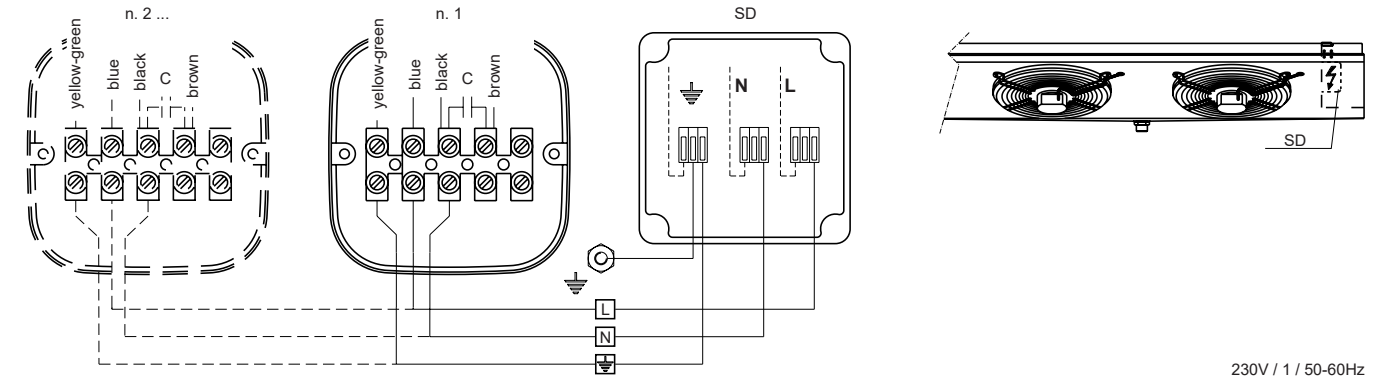
| Model                  | AGS       | 31AH4 |       | 32AH4 |       | 33AH4 |      | 34AH4 |      |
|------------------------|-----------|-------|-------|-------|-------|-------|------|-------|------|
|                        |           | 31BL7 | 32BL7 | 33BL7 | 34BL7 |       |      |       |      |
| Fan motors             | n° x Ø mm | 1x315 |       | 2x315 |       | 3x315 |      | 4x315 |      |
| Frequency              | Hz        | 50    | 60    | 50    | 60    | 50    | 60   | 50    | 60   |
| Electrical consumption | A         | 0.43  | 0.58  | 0.86  | 1.16  | 1.29  | 1.74 | 1.72  | 2.32 |
|                        | W         | 96    | 130   | 192   | 260   | 288   | 390  | 384   | 520  |
| RPM                    |           | 1340  | 1490  | 1340  | 1490  | 1340  | 1490 | 1340  | 1490 |

| Model                  | AGS       | 41GH4 | 41FL7 | 42GH4 | 42FL7 | 43GH4 | 43FL7 | 44GH4 | 44FL7 |
|------------------------|-----------|-------|-------|-------|-------|-------|-------|-------|-------|
|                        |           | 41GL7 | -     | 42GL7 | -     | -     | -     | -     | -     |
|                        |           | 41EH4 | -     | 42EH4 | -     | 43EH4 | -     | 44EH4 | -     |
|                        |           | 41EL7 | -     | 42EL7 | -     | 43EL7 | -     | 44EL7 | -     |
|                        |           |       |       |       |       |       |       |       |       |
| Fan motors             | n° x Ø mm | 1x250 |       | 2x250 |       | 3x250 |       | 4x250 |       |
| Frequency              | Hz        | 50    | 60    | 50    | 60    | 50    | 60    | 50    | 60    |
| Electrical consumption | A         | 0.64  | 0.64  | 1.28  | 1.28  | 1.92  | 1.92  | 2.56  | 2.56  |
|                        | W         | 83    | 83    | 166   | 166   | 249   | 249   | 332   | 332   |
| RPM                    |           | 1350  | 1500  | 1350  | 1500  | 1350  | 1500  | 1350  | 1500  |

### AGS1 - Ø200 fan diameter unit



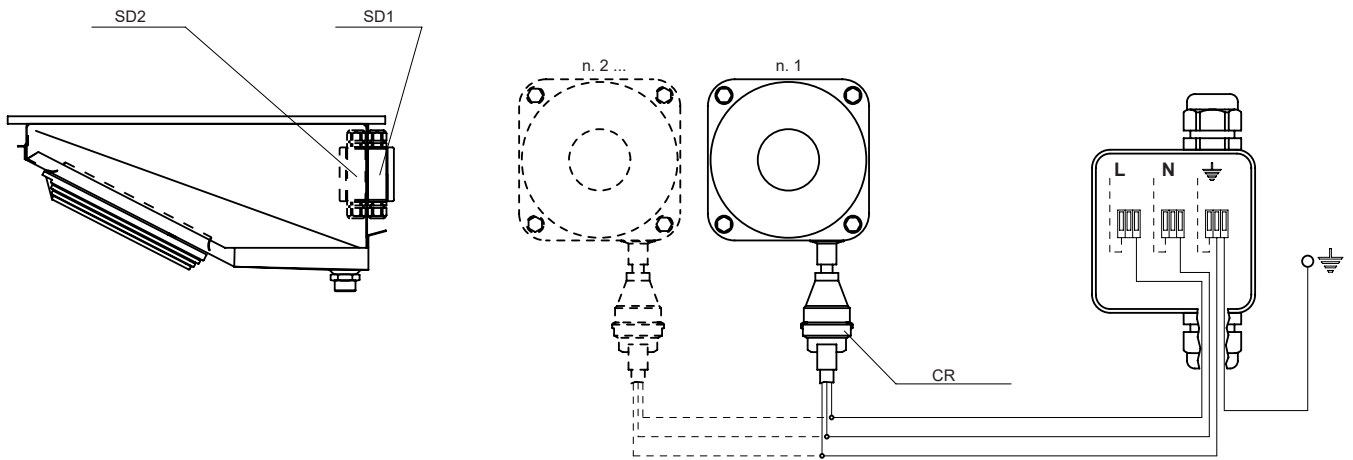
AGS3 - Ø315 fan diameter unit



230V / 1 / 50-60Hz

- = yellow-green
- L = brown
- N = blue
- SD = junction box

AGS4 - Ø250 fan diameter unit



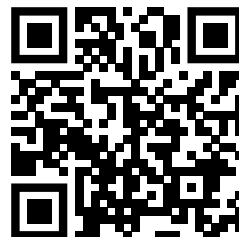
230V / 1 / 50-60Hz

- = yellow-green
- L = brown
- N = blue
- SD1 = motorfan junction box
- SD2 = electric heater junction box
- CR = cable quick connection



Modine CIS Italy S.r.l.  
 33050 Pocenia - Udine - Italy  
 Via Giulio Locatelli, 22  
 Tel. +39 0432.772.001  
 Fax +39 0432.779.594  
 www.modine.com

Link to user manuals:



<https://www.modinecoolers.com/documents/>