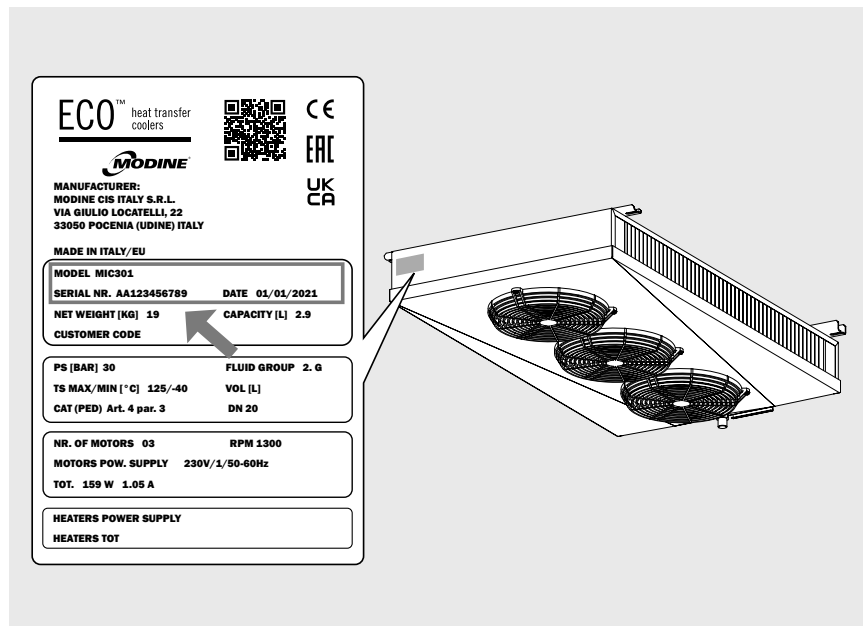


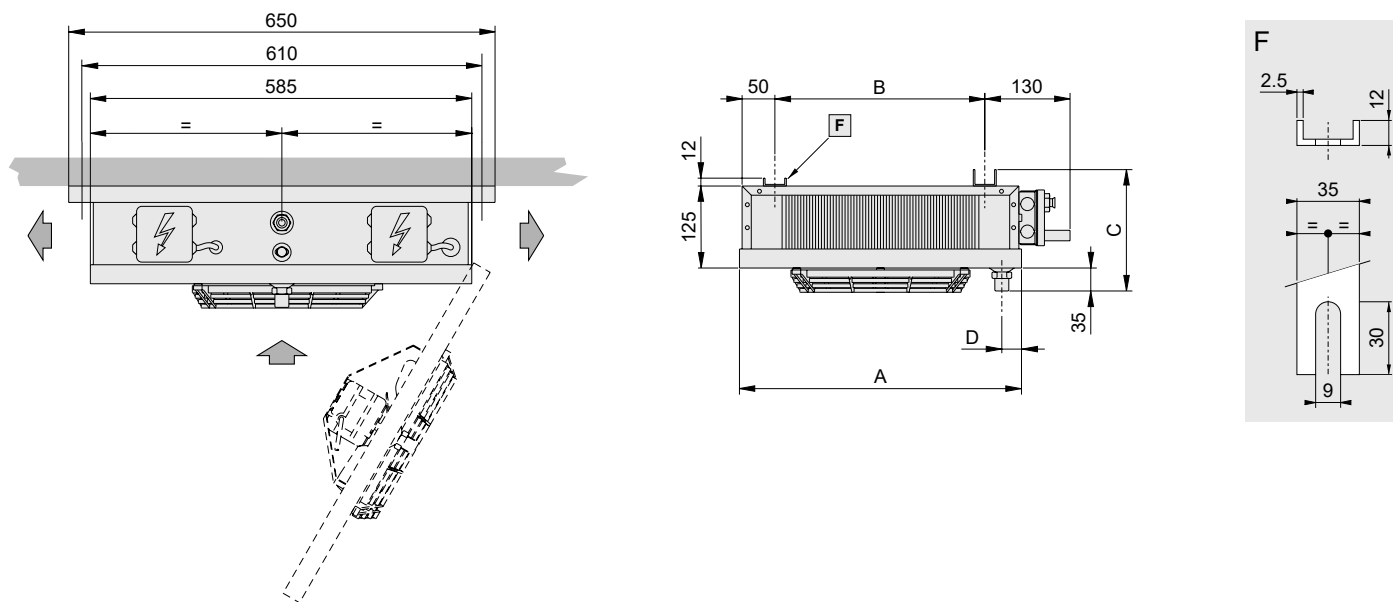
MIC

QUICK GUIDE

This document is a concise version of the model manual. This document is not meant to be a replacement of the manual. To download the full manual please scan the QRcode below or locate the data label on the model and scan the QRcode.



Construction and dimensional features



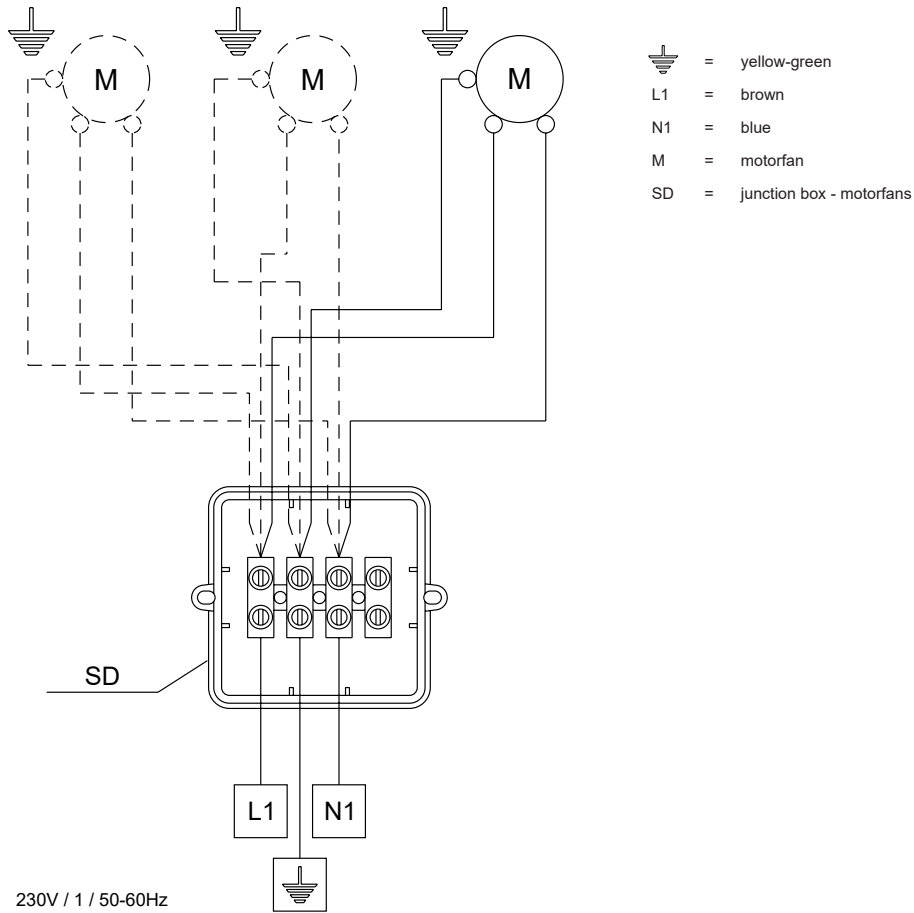
Model	MIC	080	081	101 (*)	161 (*)	201 (*)	301 (*)	401 (*)	501 (*)
Motorfans	n° x Ø mm	1x230	1x230	1x230	2x230	2x230	3x230	4x230	5x230
Dimensions	A	430	430	430	730	730	1030	1330	1630
	B	320	320	320	620	620	920	1220	1520
	C	172	172	172	185	185	185	185	185
	D	30	30	30	30	30	30	35	35
Coil connections	In (SAE)	1/2"	1/2"	1/2"	1/2"	1/2"	1/2"	1/2"	1/2"
	Out (mm)	12	12	16	16	16	22	22	22
Drain connection	Ø (GAS)	1/2"	1/2"	1/2"	1/2"	1/2"	1/2"	1"	1"
Net weight	kg	7.3	7.3	8.0	12.2	13.4	19.0	24.4	29.9

(*) Thermostatic valve with external pressure equaliser recommended

Wiring diagrams

Motor-fan connection diagram

Important. The motors are equipped with inner thermal protection with automatic reconnection. Before using motor speed control systems verify the compatibility with the motors. Non compatible systems may damage motors or increase noise level; Modine will not be responsible for model performance with speed control systems. For fans equipped with thermal contacts (TK), these must be connected to the control circuit. For models supplied with wiring in a junction box, remove the cover to make the connection.



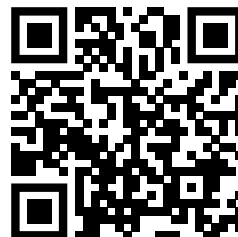
230V / 1 / 50-60Hz

Model	MIC	080		-		-		-		-	
		081	101	161		301		401		501	
Motorfans	n° x Ø mm	1x230		2x230		3x230		4x230		5x230	
Frequency	Hz	50	60	50	60	50	60	50	60	50	60
Electrical consumption	A	0.35	0.35	0.70	0.70	1.05	1.05	1.40	1.40	1.75	1.75
	W	53	53	106	106	159	159	212	212	265	265
RPM		1300	1300	1300	1300	1300	1300	1300	1300	1300	1300



Modine CIS Italy S.r.l.
 33050 Pocenia - Udine - Italy
 Via Giulio Locatelli, 22
 Tel. +39 0432.772.001
 Fax +39 0432.779.594
 www.modine.com

Link to user manuals:



<https://www.modinecoolers.com/documents/>