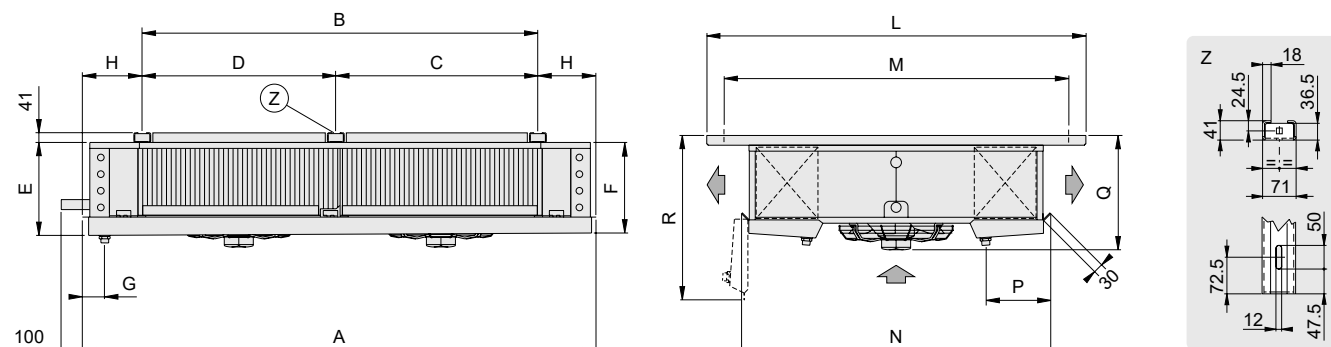


IDE

QUICK GUIDE

This document is a concise version of the model manual. This document is not meant to be a replacement of the manual. To download the full manual please scan the QRcode below or locate the data label on the model and scan the QRcode.

Construction and dimensional features



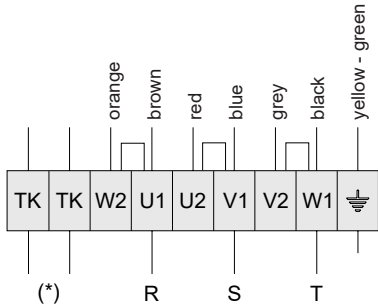
Model	IDE	41A04	41B04	42A04	42B04	43A04	43B04	52A04	52B04	53A04	53B04	54A04	54B04
		41A07	41B07	42A07	42B07	43A07	43B07	52A07	52B07	53A07	53B07	54A07	54B07
		41A10	41B10	42A10	42B10	43A10	43B10	52A10	52B10	53A10	53B10	54A10	54B10
Motorfans	n° x Ø mm	1 x 450		2 x 450		3 x 450		2 x 560		3 x 560		4 x 560	
Dimensions	A	1300		2150		3000		2760		3860		4960	
	B	814		1664		2514		2164		3264		4364	
	C	-		-		1700		1100		2 x 1100		3 x 1100	
	D	-		-		814		1064		1064		1064	
	E	406		410		415		538		543		550	
	F	400		400		400		530		530		530	
	G	85		85		85		90		90		90	
	H	243		243		243		298		298		298	
	L	1594		1594		1594		1809		1809		1809	
	M	1449		1449		1449		1664		1664		1664	
	N	1290		1290		1290		1505		1505		1505	
	P	280		280		280		280		280		280	
	Q	490		490		490		680		680		680	
R	695		695		695		835		835		835		
Coil connections	In (mm)	16		22		28		28		35		35	
	Out (mm)	35		42		42		54		54		70	
Drain connection	Ø (GAS)	2 x 1"		2 x 1"		2 x 1"		2 x 2"		2 x 2"		2 x 2"	
Net weight	kg	80		145		206		250		370		498	

Thermostatic valve with external pressure equaliser recommended

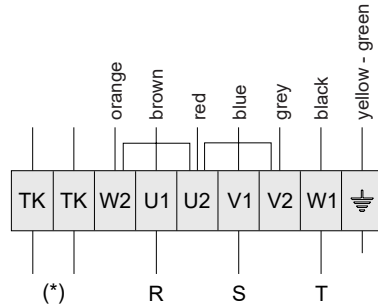
Wiring diagrams

Motor-fan connection diagram

Important. The motors are equipped with inner thermal protection with automatic reconnection. Before using motor speed control systems verify the compatibility with the motors. Non compatible systems may damage motors or increase noise level; Modine will not be responsible for model performance with speed control systems. For fans equipped with thermal contacts (TK), these must be connected to the control circuit. For models supplied with wiring in a junction box, remove the cover to make the connection.



Δ
400V/3/50-60Hz



Y
400V/3/50-60Hz

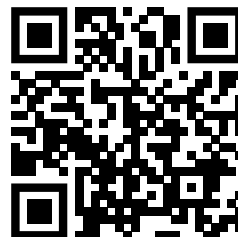
Model	IDE	41A04	41B04	42A04	42B04	43A04	43B04	52A04	52B04	53A04	53B04	54A04	54B04
		41A07	41B07	42A07	42B07	43A07	43B07	52A07	52B07	53A07	53B07	54A07	54B07
		41A10	41B10	42A10	42B10	43A10	43B10	52A10	52B10	53A10	53B10	54A10	54B10
Motorfans	n° x Ø mm	1x450		2x450		3x450		2x560		3x560		4x560	
Frequency	Hz	50		50		50		50		50		50	
Electrical consumption (high speed, Δ)	A	0.79		1.58		2.37		3.30		4.95		6.60	
	W	430		860		1290		1680		2520		3360	
RPM (high speed, Δ)		1370		1370		1370		1360		1360		1360	
Electrical consumption (low speed, Y)	A	0.53		1.06		1.59		2.10		3.15		4.20	
	W	330		660		990		1280		1920		2560	
RPM (low speed, Y)		1030		1030		1030		1090		1090		1090	

Notes



Modine CIS Italy S.r.l.
 33050 Pocenia - Udine - Italy
 Via Giulio Locatelli, 22
 Tel. +39 0432.772.001
 Fax +39 0432.779.594
 www.modine.com

Link to user manuals:



<https://www.modinecoolers.com/documents/>