


# GSE

# QUICK GUIDE

This document is a concise version of the model manual. This document is not meant to be a replacement of the manual. To download the full manual please scan the QRcode below or locate the data label on the model and scan the QRcode.

**ECO™** heat transfer coolers



CE  
EAC  
UK  
CA

**MODINE**

MANUFACTURER:  
MODINE CIS ITALY S.R.L.  
VIA GIULIO LOCATELLI, 22  
33050 POCENIA (UDINE) ITALY

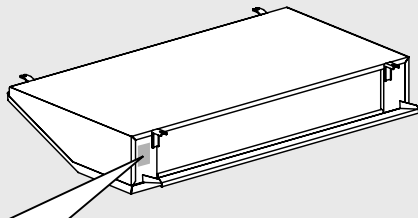
MADE IN ITALY/EU

MODEL GSE32AH4	
SERIAL NR. AA123456789	DATE 01/01/2021
NET WEIGHT [KG] 29	CAPACITY [L] 3.0
CUSTOMER CODE	

PS [BAR] 30	FLUID GROUP 2. G
TS MAX/MIN [°C] 125/-40	VOL [L]
CAT (PED) Art. 4 par. 3	DN 20

NR. OF MOTORS 02	RPM 1340-1490
MOTORS POW. SUPPLY 230V/1/50-60Hz	
TOT. 192-260 W 0.86-1.16 A	

HEATERS POWER SUPPLY	
HEATERS TOT	



**ECO™** heat transfer coolers




CE  
EAC  
UK  
CA

**MODINE**



Link to user manuals:

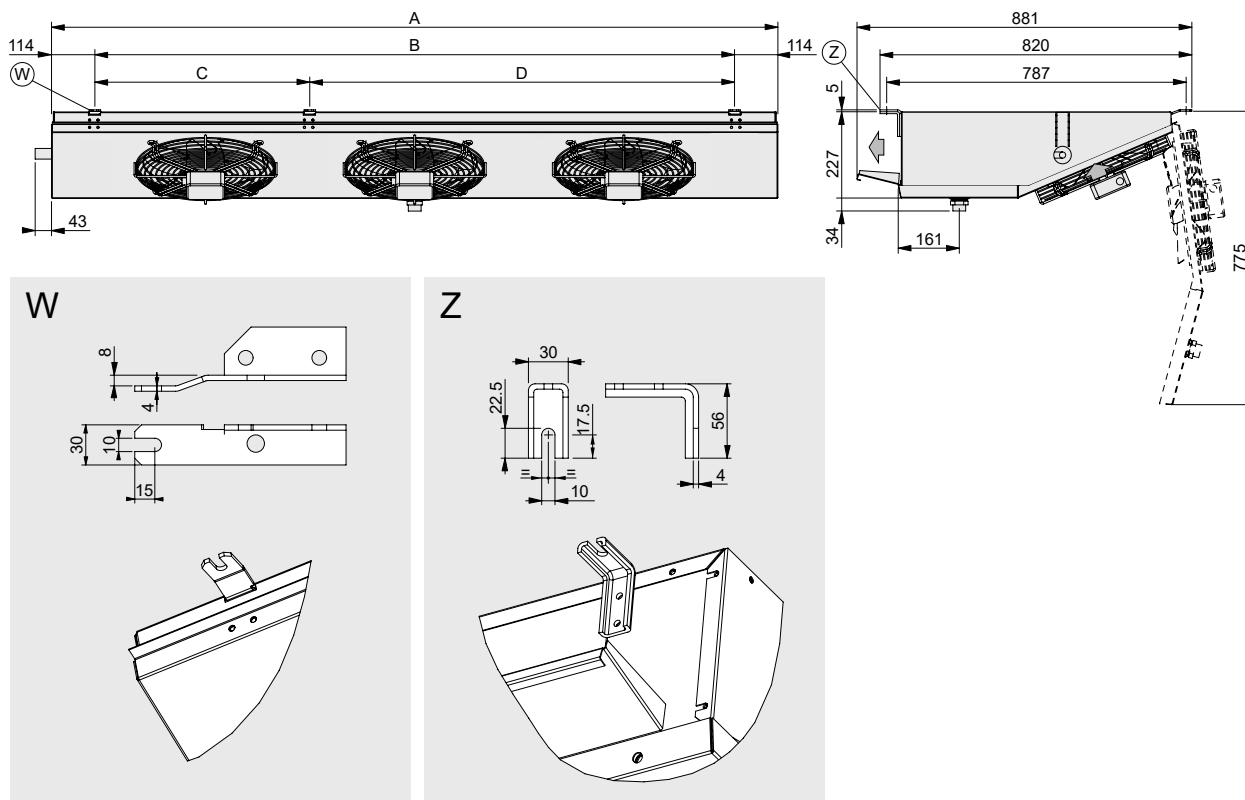


IT ES  
EN FR  
DE RU



**!** Before removing the packaging, handling, assembling, positioning, commissioning of the machine and before performing any work on the model, download and carefully read all the information in the manual. If in doubt contact Modine.

## Construction and dimensional features



Model	GSE	31AH4	32AH4	33AH4	34AH4
		31BL7	32BL7	33BL7	34BL7
Motorfans	n° x Ø mm	1x315	2x315	3x315	4x315
Dimensions	A	810	1360	1910	2460
	B	582	1132	1682	2232
	C	-	-	565	1115
	D	-	-	1117	1117
Coil connections	In (mm)	12	12	12	16
	Out (mm)	16	22	28	28
Drain connection	Ø (GAS)	1"	1"	1"	1"
Net weight	kg	19	30	46	62

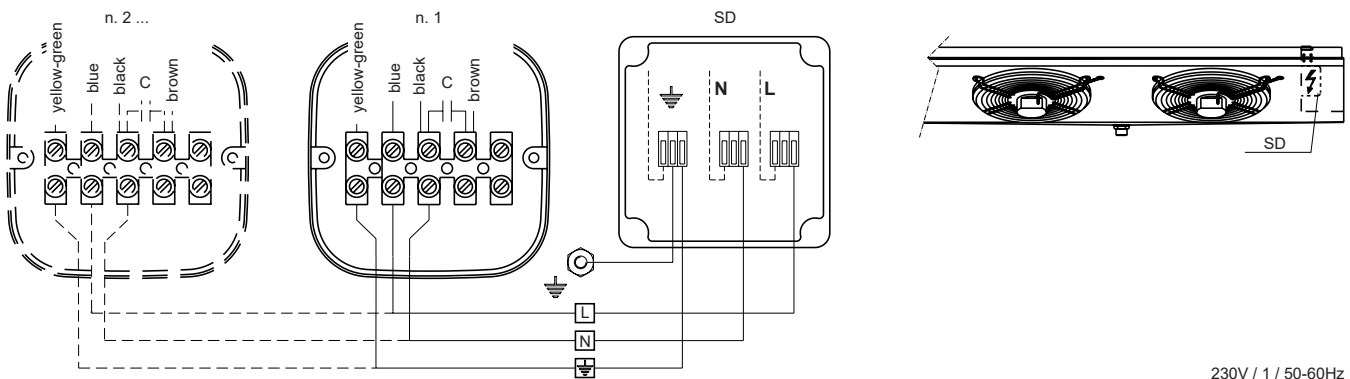
Use thermostatic valve with external pressure equalizer

## Wiring diagrams

### Motor-fan connection diagram

**Important. The motors are equipped with inner thermal protection with automatic reconnection. Before using motor speed control systems verify the compatibility with the motors. Non compatible systems may damage motors or increase noise level; Modine will not be responsible for model performance with speed control systems. For fans equipped with thermal contacts (TK), these must be connected to the control circuit. For models supplied with wiring in a junction box, remove the cover to make the connection**

Model	GSE	31AH4 31BL7		32AH4 32BL7		33AH4 33BL7		34AH4 34BL7			
		n° x Ø mm		1x315		2x315		3x315		4x315	
Motorfans		1x315		2x315		3x315		4x315			
Frequency	Hz	50	60	50	60	50	60	50	60		
Electrical consumption	A	0.43	0.58	0.86	1.16	1.29	1.74	1.72	2.32		
	W	96	130	192	260	288	390	384	520		
RPM		1340	1490	1340	1490	1340	1490	1340	1490		



- = yellow-green
- L = brown
- N = blue
- SD = scatola di derivazione

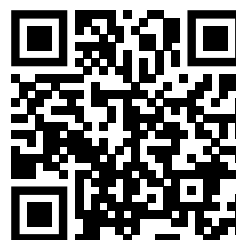
230V / 1 / 50-60Hz

## Notes



Modine CIS Italy S.r.l.  
 33050 Pocenia - Udine - Italy  
 Via Giulio Locatelli, 22  
 Tel. +39 0432.772.001  
 Fax +39 0432.779.594  
 www.modine.com

Link to user manuals:



<https://www.modinecoolers.com/documents/>