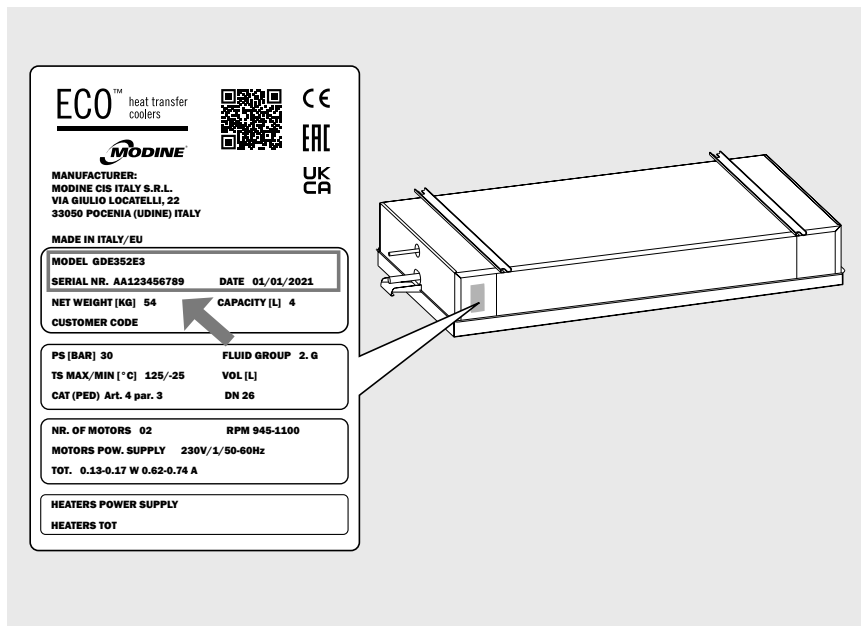


GDE

QUICK GUIDE

This document is a concise version of the model manual. This document is not meant to be a replacement of the manual. To download the full manual please scan the QRcode below or locate the data label on the model and scan the QRcode.



Link to user manuals:

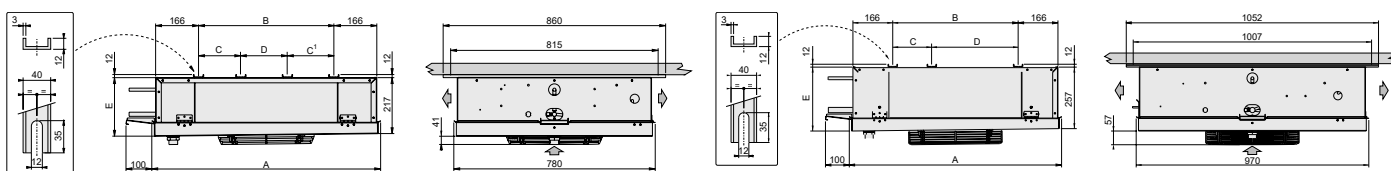
IT ES
EN FR
DE RU

! Before removing the packaging, handling, assembling, positioning, commissioning of the machine and before performing any work on the model, download and carefully read all the information in the manual. If in doubt contact Modine.

Construction and dimensional features

Ø315 fan diameter unit

Ø350 fan diameter unit



(1) 5-engine models do not have this dimension C

Use thermostatic valve with external pressure equalizer

Model	GDE	311E3	312E3	-	313E3	314E3	315E3	-	316E3	-
		311E4	312E4		313E4	314E4		315E4	316E4	
		311E7		312E7	313E7	314E7		315E7		316E7
Motorfans	n° x Ø mm	1x315	2x315	2x315	3x315	4x315	5x315	5x315	6x315	6x315
Dimensions	A	885	1435	1435	1985	2535	3085	3085	3635	3635
	B	524	1074	1074	1624	2174	2724	2724	3274	3274
	C	-	-	-	812	1087	1087	1087	1087	1087
	D	-	-	-	-	-	1637	1637	1100	1100
	E	230	235	235	240	245	250	250	255	255
Coil connections	In (mm)	12	16	12	16	16	22	16	22	16
	Out (mm)	16	22	22	28	28	35	35	35	35
Drain connection	Ø (GAS)	1"	1"	1"	1"	1"	1"	1"	1"	1"
Net weight	kg	20	34	32	50	65	78	78	93	86

Model	GDE	351E3	361A3	-	352E3	362A3	353E3	363A3	354E3	364A3	355F3	365F3
		351E4		361A4	352E4	362A4	353E4	363A4	354E4	364A4	355F4	365F4
		351E7		361A7	352E7	362A7	353E7	363A7	354E7	364A7	355F7	365F7
Motorfans	n° x Ø mm	1x350	1x350	1x350	2x350	2x350	3x350	3x350	4x350	4x350	5x350	5x350
Dimensions	A	885	885	885	1435	1435	1985	1985	2535	2535	3085	3085
	B	523	523	523	1073	1073	1623	1623	2173	2173	2723	2723
	C	-	-	-	-	-	522	522	1072	1072	1072	1072
	D	-	-	-	-	-	1102	1102	1102	1102	1652	1652
	E	270	270	270	275	275	280	280	285	285	290	290
Coil connections	In (mm)	12	16	12	16	16	16	22	22	22	22	22
	Out (mm)	22	22	22	28	28	28	35	35	35	42	42
Drain connection	Ø (GAS)	1	1	1	1	1	1	1	1	1	1	1
Net weight	kg	31	36	36	54	63	77	90	99	117	132	136

Wiring diagrams

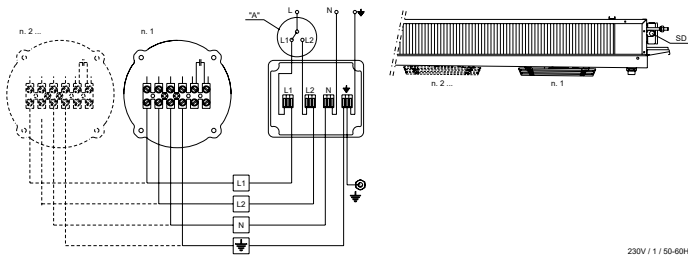
Motor-fan connection diagram

Important. The motors are equipped with inner thermal protection with automatic reconnection. Before using motor speed control systems verify the compatibility with the motors. Non compatible systems may damage motors or increase noise level; Modine will not be responsible for model performance with speed control systems. For fans equipped with thermal contacts (TK), these must be connected to the control circuit. For models supplied with wiring in a junction box, remove the cover to make the connection.

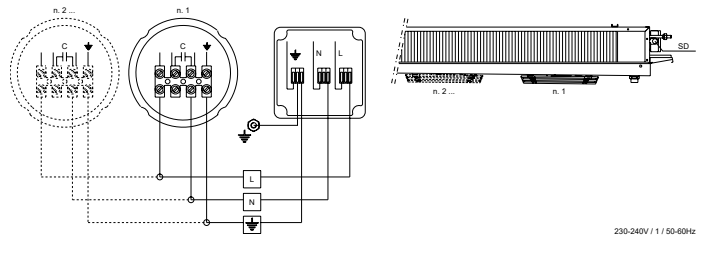
Model	GDE	311E3		312E3		313E3		314E3		315E3		316E3	
		311E4		312E4		313E4		314E4		315E4		316E4	
		311E7		312E7		313E7		314E7		315E7		316E7	
Motorfans	n° x Ø mm	1x315		2x315		3x315		4x315		5x315		6x315	
Frequency	Hz	50	60	50	60	50	60	50	60	50	60	50	60
Junction box connections L1 - N													
Electrical consumption	A	0.38	0.45	0.76	0.90	1.14	1.35	1.52	1.80	1.90	2.25	2.28	2.70
	W	85	100	170	200	255	300	340	400	425	500	510	600
RPM		1170	940	1170	940	1170	940	1170	940	1170	940	1170	940
Junction box connections L2 - N													
Electrical consumption	A	0.44	0.62	0.88	1.24	1.32	1.86	1.76	2.48	2.20	3.10	2.64	3.72
	W	100	135	200	270	300	405	400	540	500	675	600	810
RPM		1300	1350	1300	1350	1300	1350	1300	1350	1300	1350	1300	1350

Model	GDE	351E3		352E3		353E3		354E3		355F3		361A3		362A3		363A3		364A3		365F3	
		351E4		352E4		353E4		354E4		355F4		361A4		362A4		363A4		364A4		365F4	
		351E7		352E7		353E7		354E7		355F7		361A7		362A7		363A7		364A7		365F7	
Motorfans	n° x Ø mm	1x350		2x350		3x350		4x350		5x350		1x350		2x350		3x350		4x350		5x350	
Frequency	Hz	50	60	50	60	50	60	50	60	50	60	50	60	50	60	50	60	50	60	50	60
Electrical consumption	A	0.31	0.37	0.62	0.74	0.93	1.11	1.24	1.48	1.55	1.85	0.68	0.90	1.36	1.80	2.04	2.70	2.72	3.60	3.40	4.50
	W	65	85	130	170	195	255	260	340	325	425	145	205	290	410	435	615	580	820	725	1025
RPM		945	1100	945	1100	945	1100	945	1100	945	1100	1450	1700	1450	1700	1450	1700	1450	1700	1450	1700

Ø315 fan diameter unit



Ø350 fan diameter unit



NOTE: It is possible to vary the number of revolutions of the motor by applying suitable commutation systems (not supplied). See detail "A".

junction box connections	revolving speed
L1 - N	low
L2 - N	high

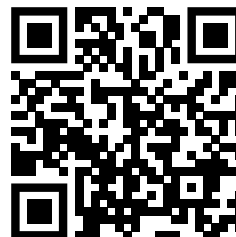
- = yellow-green
- L1 = black
- L2 = brown
- N = blue or grey
- SD = junction box

- = yellow-green
- L = brown
- N = blue or grey
- SD = junction box



Modine CIS Italy S.r.l.
 33050 Pocenia - Udine - Italy
 Via Giulio Locatelli, 22
 Tel. +39 0432.772.001
 Fax +39 0432.779.594
 www.modine.com

Link to user manuals:



<https://www.modinecoolers.com/documents/>