

EVS

QUICK GUIDE

This document is a concise version of the model manual. This document is not meant to be a replacement of the manual. To download the full manual please scan the QRcode below or locate the data label on the model and scan the QRcode.

ECO™ heat transfer coolers
MODINE

MANUFACTURER:
 MODINE CIS ITALY S.R.L.
 VIA GIULIO LOCATELLI, 22
 33050 POCENIA (UDINE) ITALY

MADE IN ITALY/EU

MODEL EVS101
 SERIAL NR. AA123456789 DATE 01/01/2021
 NET WEIGHT [KG] 7.1 CAPACITY [L] 0.33
 CUSTOMER CODE

PS [BAR] 30 FLUID GROUP 2. G
 TS MAX/MIN [°C] 125/-40 VOL [L]
 CAT (PED) Art. 4 par. 3 DN 8

NR. OF MOTORS 02 RPM 1300
 MOTORS POW. SUPPLY 230V/1/50-60Hz
 TOT. 106 W 0.7 A

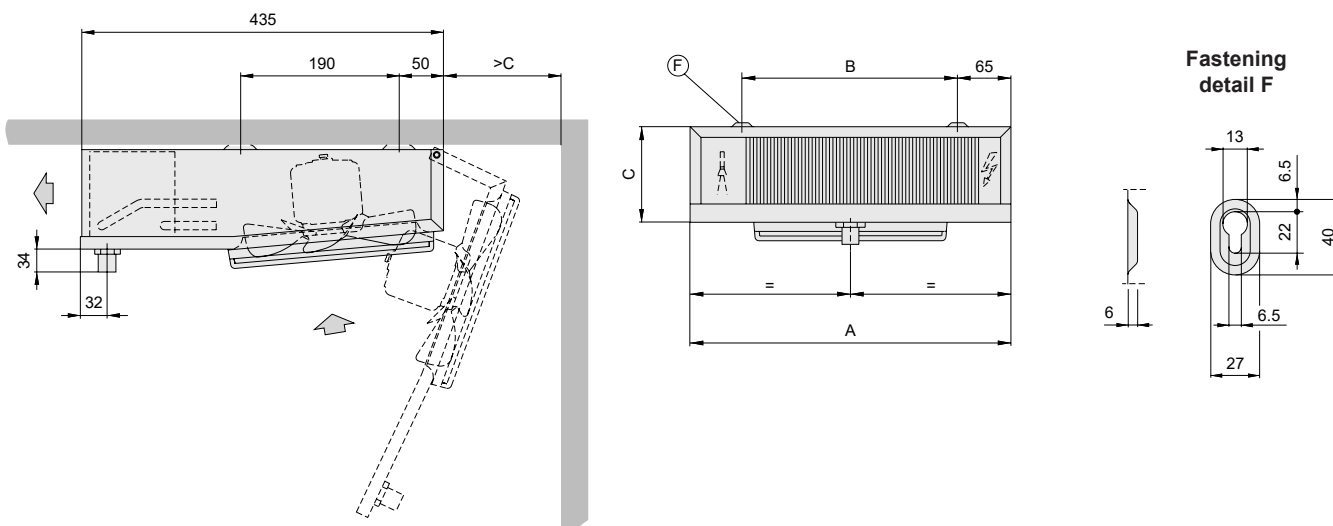
HEATERS POWER SUPPLY
 HEATERS TOT

Link to user manuals:

IT ES
 EN FR
 DE RU

! Before removing the packaging, handling, assembling, positioning, commissioning of the machine and before performing any work on the model, download and carefully read all the information in the manual. If in doubt contact Modine.

Construction and dimensional features



Model	EVS	41	61	101	131	201 (*)	271 (*)	181 (*)	291 (*)	391 (*)	521 (*)	
	EVS / B	41 / B	61 / B	101 / B		131 / B (*)	201 / B (*)	271 / B (*)	181 / B (*)	291 / B (*)	391 / B (*)	521 / B (*)
Motorfans	n° x Ø mm	1x200	1x200	2x200	2x200	2x200	2x200	2x200	3x200	3x200	3x200	4x200
Dimensions	A [mm]	411	411	611	611	611	611	861	1111	1111	1111	1461
	B [mm]	271	271	471	471	471	471	721	971	971	971	1321
	C [mm]	120	120	120	120	120	170	170	120	120	170	170
Coil connections	In [mm]	9.52	9.52	9.52	9.52	1/2 SAE	1/2 SAE	1/2 SAE	1/2 SAE	1/2 SAE	1/2 SAE	1/2 SAE
	Out [mm]	9.52	9.52	9.52	9.52	16	16	16	16	16	16	16
Drain connection	Ø (GAS)	1/2	1/2	1/2	1/2	1/2	1/2	1/2	1/2	1/2	1/2	1/2
Net weight	kg	4.3	4.9	7.1	7.7	7.7	10.7	13.8	11.1	12.1	17.0	23.0

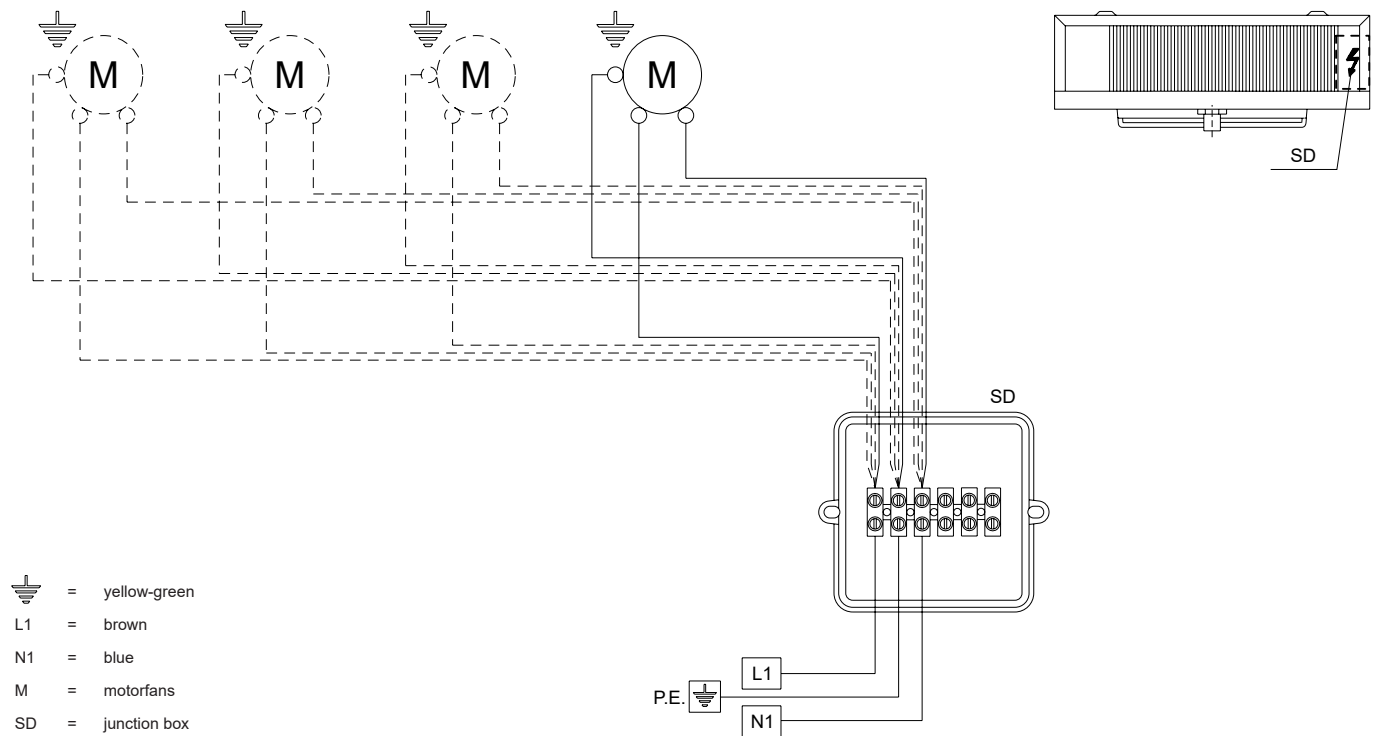
(*) Use thermostatic valve with external pressure equalizer

Wiring diagrams

Motor-fan connection diagram (standard on EVS/B models only)

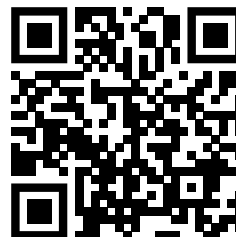
Important. The motors are equipped with inner thermal protection with automatic reconnection. Before using motor speed control systems verify the compatibility with the motors. Non compatible systems may damage motors or increase noise level; Modine will not be responsible for model performance with speed control systems. For fans equipped with thermal contacts (TK), these must be connected to the control circuit. For models supplied with wiring in a junction box, remove the cover to make the connection.

Model	EVS	41	61	101	131	201	271	181	291	391	521
	EVS / B	41 / B	61 / B	101 / B	131 / B	201 / B	271 / B	181 / B	291 / B	391 / B	521 / B
Motorfans	n° x Ø mm	1x200	1x200	2x200	2x200	2x200	2x200	3x200	3x200	3x200	4x200
Frequency	Hz	50 60	50 60	50 60	50 60	50 60	50 60	50 60	50 60	50 60	50 60
	A	0.35	0.35	0.7	0.7	0.7	0.7	1.05	1.05	1.05	1.40
Electrical consumption	W	53	53	106	106	106	106	159	159	159	212
	RPM	1300	1300	1300	1300	1300	1300	1300	1300	1300	1300



Modine CIS Italy S.r.l.
 33050 Pocenia - Udine - Italy
 Via Giulio Locatelli, 22
 Tel. +39 0432.772.001
 Fax +39 0432.779.594
 www.modine.com

Link to user manuals:



<https://www.modinecoolers.com/documents/>