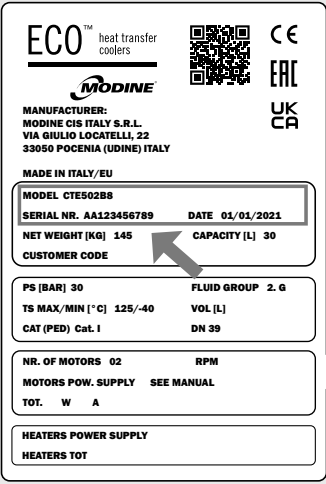


CTE

QUICK GUIDE

This document is a concise version of the model manual. This document is not meant to be a replacement of the manual. To download the full manual please scan the QRcode below or locate the data label on the model and scan the QRcode.



ECO™ heat transfer coolers
MODINE

MANUFACTURER:
MODINE CIS ITALY S.R.L.
VIA GIULIO LOCATELLI, 22
33050 POCENIA (UDINE) ITALY

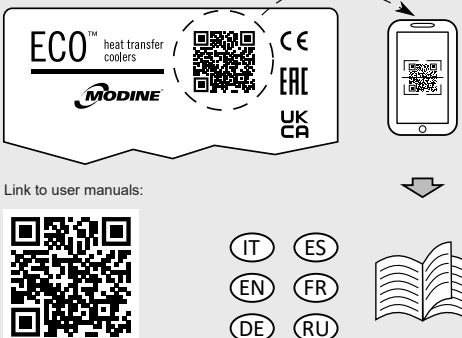
MADE IN ITALY/EU

MODEL CTE502B8
SERIAL NR. AA123456789 DATE 01/01/2021
NET WEIGHT (KG) 145 CAPACITY (L) 30
CUSTOMER CODE

PS (BAR) 30 FLUID GROUP 2. G
TS MAX/MIN (°C) 125/-40 VOL (L)
CAT (PED) Cat. I DN 39

NR. OF MOTORS 02 RPM
MOTORS POW. SUPPLY SEE MANUAL
TOT. W A

HEATERS POWER SUPPLY
HEATERS TOT



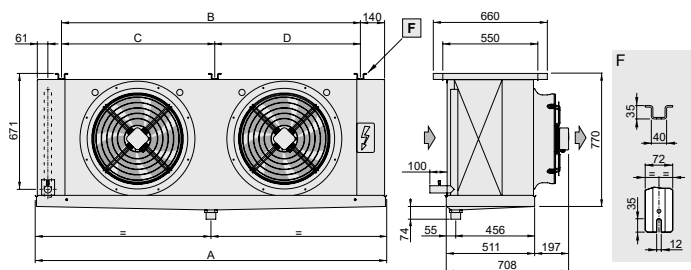
Link to user manuals:

IT ES
EN FR
DE RU

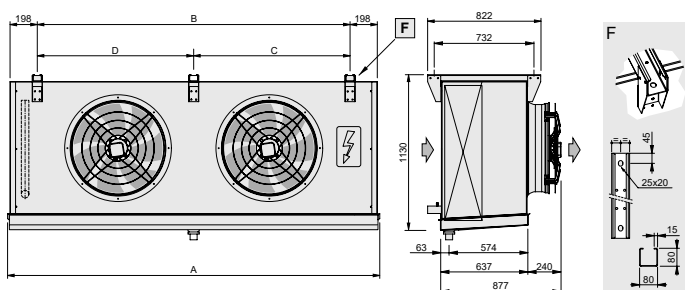
Before removing the packaging, handling, assembling, positioning, commissioning of the machine and before performing any work on the model, download and carefully read all the information in the manual. If in doubt contact Modine.

Construction and dimensional features

Ø500 fan diameter unit



Ø630 fan diameter unit



Thermostatic valve with external pressure equaliser recommended

| Model | CTE | 501E4 | 501A4 | 501B4 | 502E4 | 502A4 | 502B4 | 503E4 | 503A4 | 503B4 | 504A4 | 504B4 |
|------------------|-----------|------------|------------|-------|-------|------------|-------|------------|-------|-------|------------|------------|
| | | 501E6 | 501A6 | 501B6 | 502E6 | 502A6 | 502B6 | 503E6 | 503A6 | 503B6 | 504A6 | 504B6 |
| | | 501E8 | 501A8 | 501B8 | 502E8 | 502A8 | 502B8 | 503E8 | 503A8 | 503B8 | 504A8 | 504B8 |
| Motorfans | n° x Ø mm | 1x500 | 1x500 | 1x500 | 2x500 | 2x500 | 2x500 | 3x500 | 3x500 | 3x500 | 4x500 | 4x500 |
| Dimensions | A [mm] | 1184 | 1184 | 1184 | 2034 | 2034 | 2034 | 2884 | 2884 | 2884 | 3734 | 3734 |
| | B [mm] | 880 | 880 | 880 | 1730 | 1730 | 1730 | 2580 | 2580 | 2580 | 3430 | 3430 |
| | C [mm] | - | - | - | - | - | - | - | - | - | 1730 | 1730 |
| | D [mm] | - | - | - | - | - | - | - | - | - | 1700 | 1700 |
| Coil connections | In [mm] | 16 | 16 (A8 22) | 22 | 22 | 22 (A8 28) | 28 | 22 (E8 28) | 28 | 28 | 28 (A8 35) | 28 (B8 35) |
| | Out [mm] | 28 (E8 35) | 28 (A8 35) | 35 | 35 | 35 (A8 42) | 42 | 42 | 42 | 54 | 54 | 54 |
| Drain connection | Ø (GAS) | 2" | 2" | 2" | 2" | 2" | 2" | 2" | 2" | 2" | 2" | 2" |
| Net weight | kg | 61 | 70 | 81 | 106 | 125 | 145 | 151 | 180 | 209 | 236 | 274 |

| Model | CTE | 631E4 | 631A4 | 631B4 | 632E4 | 632A4 | 632B4 | 633E4 | 633A4 | 633B4 | 634E4 | 634A4 | 634B4 |
|------------------|-----------|------------|-------|-------|-------|-------|-------|-------|-------|--------|--------|-------|--------|
| | | 631E6 | 631A6 | 631B6 | 632E6 | 632A6 | 632B6 | 633E6 | 633A6 | 633B6 | 634E6 | 634A6 | 634B6 |
| | | 631E8 | 631A8 | 631B8 | 632E8 | 632A8 | 632B8 | 633E8 | 633A8 | 633B8 | 634E8 | 634A8 | 634B8 |
| Motorfans | n° x Ø mm | 1x630 | 1x630 | 1x630 | 2x630 | 2x630 | 2x630 | 3x630 | 3x630 | 3x630 | 4x630 | 4x630 | 4x630 |
| Dimensions | A [mm] | 1606 | 1606 | 1606 | 2706 | 2706 | 2706 | 3806 | 3806 | 3806 | 4906 | 4906 | 4906 |
| | B [mm] | 1174 | 1174 | 1174 | 2274 | 2274 | 2274 | 3374 | 3374 | 3374 | 4474 | 4474 | 4474 |
| | C [mm] | - | - | - | - | - | - | - | - | - | 2237 | 2237 | 2237 |
| | D [mm] | - | - | - | - | - | - | - | - | - | 2237 | 2237 | 2237 |
| Coil connections | In [mm] | 22 (E8 28) | 28 | 28 | 35 | 35 | 35 | 35 | 35 | 2 x 35 | 2 x 35 | 35 | 2 x 35 |
| | Out [mm] | 35 (E8 42) | 42 | 42 | 54 | 54 | 54 | 54 | 54 | 2 x 54 | 2 x 54 | 54 | 2 x 54 |
| Drain connection | Ø (GAS) | 2" | 2" | 2" | 2" | 2" | 2" | 2" | 2" | 2" | 2" | 2" | 2" |
| Net weight | kg | 110 | 130 | 160 | 210 | 260 | 320 | 310 | 390 | 470 | 410 | 520 | 630 |

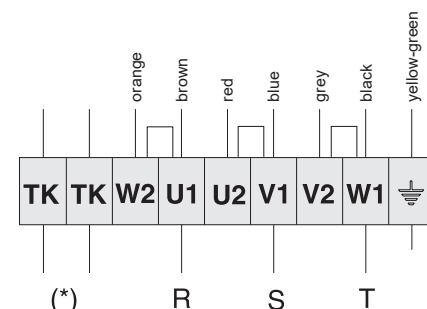
Wiring diagrams

Motor-fan connection diagram

Important. The motors are equipped with inner thermal protection with automatic reconnection. Before using motor speed control systems verify the compatibility with the motors. Non compatible systems may damage motors or increase noise level; Modine will not be responsible for model performance with speed control systems. For fans equipped with thermal contacts (TK), these must be connected to the control circuit. For models supplied with wiring in a junction box, remove the cover to make the connection.

| Model | CTE | 501E4 501A4 501B4 | | | 502E4 502A4 502B4 | | | 503E4 503A4 503B4 | | | 504A4 504B4 | |
|------------------------|-----------|-------------------|------|------|-------------------|------|------|-------------------|------|----|-------------|--|
| | | 501E6 501A6 501B6 | | | 502E6 502A6 502B6 | | | 503E6 503A6 503B6 | | | 504A6 504B6 | |
| | | 501E8 501A8 501B8 | | | 502E8 502A8 502B8 | | | 503E8 503A8 503B8 | | | 504A8 504B8 | |
| Motorfans | n° x Ø mm | 1x500 | | | 2x500 | | | 3x500 | | | 4x500 | |
| Frequency | Hz | 50 | 60 | 50 | 60 | 50 | 60 | 50 | 60 | 50 | 60 | |
| 400V, ~3, Δ | | | | | | | | | | | | |
| Electrical consumption | A | 1.70 | 1.90 | 3.40 | 3.80 | 5.10 | 5.70 | 6.80 | 7.60 | | | |
| | W | 770 | 1100 | 1540 | 2200 | 2310 | 3300 | 3080 | 4400 | | | |
| RPM | | 1300 | 1400 | 1300 | 1400 | 1300 | 1400 | 1300 | 1400 | | | |
| 400V, ~3, Y | | | | | | | | | | | | |
| Electrical consumption | A | 0.84 | 0.88 | 1.68 | 1.76 | 2.52 | 2.64 | 3.36 | 3.52 | | | |
| | W | 490 | 600 | 980 | 1200 | 1470 | 1800 | 1960 | 2400 | | | |
| RPM | | 1025 | 980 | 1025 | 980 | 1025 | 980 | 1025 | 980 | | | |
| 460V, ~3, Δ | | | | | | | | | | | | |
| Electrical consumption | A | - | 2.00 | - | 4.00 | - | 6.00 | - | 8.00 | | | |
| | W | - | 1200 | - | 2400 | - | 3600 | - | 4800 | | | |
| RPM | | - | 1480 | - | 1480 | - | 1480 | - | 1480 | | | |
| 460V, ~3, Y | | | | | | | | | | | | |
| Electrical consumption | A | - | 0.90 | - | 1.80 | - | 2.70 | - | 3.60 | | | |
| | W | - | 700 | - | 1400 | - | 2100 | - | 2800 | | | |
| RPM | | - | 1100 | - | 1100 | - | 1100 | - | 1100 | | | |

Standard wiring diagram - 400V, ~3, Δ



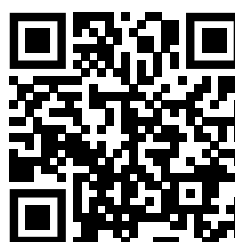
(*) Internal protective thermal contacts

| Model | CTE | 631E4 631A4 631B4 | | | 632E4 632A4 632B4 | | | 633E4 633A4 633B4 | | | 634E4 634A4 634B4 | | |
|------------------------|-----------|-------------------|------|------|-------------------|-------|-------|-------------------|-------|----|-------------------|--|--|
| | | 631E6 631A6 631B6 | | | 632E6 632A6 632B6 | | | 633E6 633A6 633B6 | | | 634E6 634A6 634B6 | | |
| | | 631E8 631A8 631B8 | | | 632E8 632A8 632B8 | | | 633E8 633A8 633B8 | | | 634E8 634A8 634B8 | | |
| Motorfans | n° x Ø mm | 1x630 | | | 2x630 | | | 3x630 | | | 4x630 | | |
| Frequency | Hz | 50 | 60 | 50 | 60 | 50 | 60 | 50 | 60 | 50 | 60 | | |
| 400V, ~3, Δ | | | | | | | | | | | | | |
| Electrical consumption | A | 3.70 | 4.80 | 7.40 | 9.60 | 11.10 | 14.40 | 14.80 | 19.20 | | | | |
| | W | 1750 | 2800 | 3500 | 5600 | 5250 | 8400 | 7000 | 11200 | | | | |
| RPM | | 1400 | 1580 | 1400 | 1580 | 1400 | 1580 | 1400 | 1580 | | | | |
| 400V, ~3, Y | | | | | | | | | | | | | |
| Electrical consumption | A | 2.20 | 3.00 | 4.40 | 6.00 | 6.60 | 9.00 | 8.80 | 12.00 | | | | |
| | W | 1350 | 1800 | 2700 | 3600 | 4050 | 5400 | 5400 | 7200 | | | | |
| RPM | | 1210 | 1210 | 1210 | 1210 | 1210 | 1210 | 1210 | 1210 | | | | |
| 460V, ~3, Δ | | | | | | | | | | | | | |
| Electrical consumption | A | - | 4.60 | - | 9.20 | - | 13.80 | - | 18.40 | | | | |
| | W | - | 2900 | - | 5800 | - | 8700 | - | 11600 | | | | |
| RPM | | - | 1640 | - | 1640 | - | 1640 | - | 1640 | | | | |
| 460V, ~3, Y | | | | | | | | | | | | | |
| Electrical consumption | A | - | 3.00 | - | 6.00 | - | 9.00 | - | 12.00 | | | | |
| | W | - | 2100 | - | 4200 | - | 6300 | - | 8400 | | | | |
| RPM | | - | 1330 | - | 1330 | - | 1330 | - | 1330 | | | | |



Modine CIS Italy S.r.l.
 33050 Pocenia - Udine - Italy
 Via Giulio Locatelli, 22
 Tel. +39 0432.772.001
 Fax +39 0432.779.594
 www.modine.com

Link to user manuals:



<https://www.modinecoolers.com/documents/>