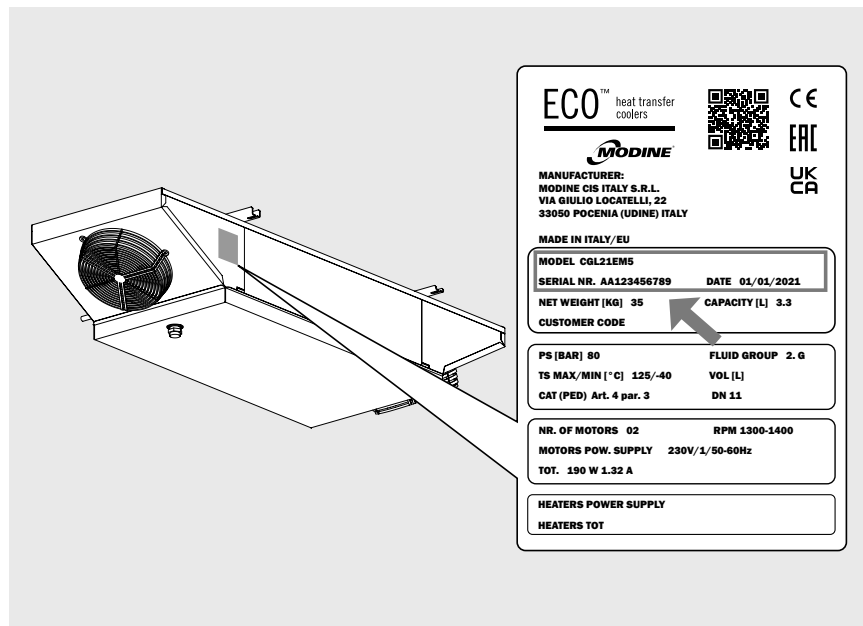


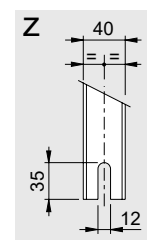
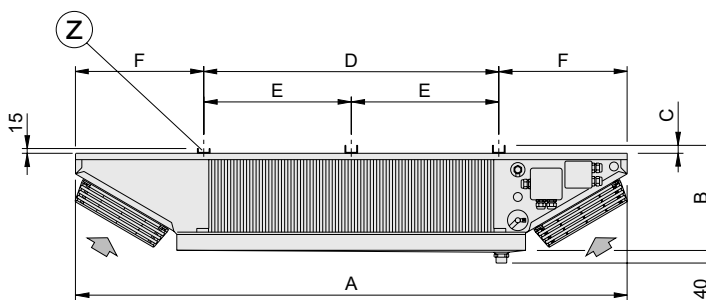
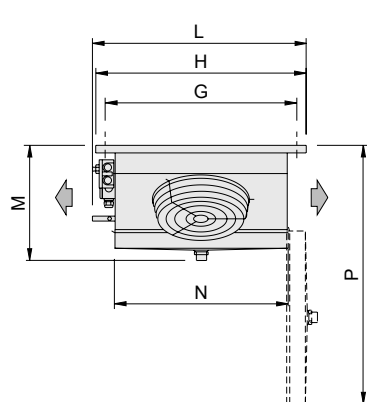
CGL

QUICK GUIDE

This document is a concise version of the model manual. This document is not meant to be a replacement of the manual. To download the full manual please scan the QRcode below or locate the data label on the model and scan the QRcode.



Construction and dimensional features



Model	CGL	21EM5	22EM5	23EM5	34EM5	34FM5
Motorfans	n° x Ø mm	2x250	2x250	2x250	2x315	2x315
Dimensions	A	1752	2202	2651	3231	3231
	B	335	335	347	347	347
	C	28	28	40	40	40
	D	930	1380	1830	2280	2280
	E	-	-	915	1140	1140
	F	405	405	405	475	475
	G	620	620	620	737	737
	H	678	678	678	795	795
	L	695	695	695	810	810
	M	375	375	387	387	387
Coil connections	N	560	560	560	677	677
	P	845	845	860	975	975
Coil connections	In (mm)	12.7	12.7	12.7	12.7	12.7
	Out (mm)	12.7	12.7	12.7	12.7	12.7
Drain connection	Ø (GAS)	1"	1"	1"	1"	1"
Net weight	kg	35	44	54	71	78

Use thermostatic valve with external pressure equalizer

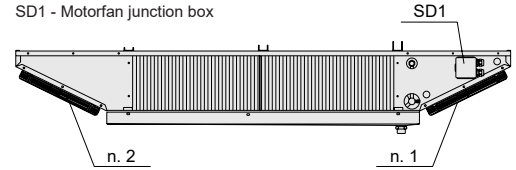
Wiring diagrams

Motor-fan connection diagram

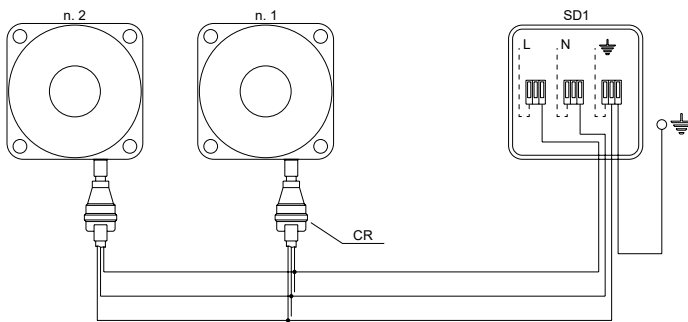
Important. The motors are equipped with inner thermal protection with automatic reconnection. Before using motor speed control systems verify the compatibility with the motors. Non compatible systems may damage motors or increase noise level; Modine will not be responsible for model performance with speed control systems. For fans equipped with thermal contacts (TK), these must be connected to the control circuit. For models supplied with wiring in a junction box, remove the cover to make the connection.

Model	CGL	21EM5		22EM5		23EM5		34EM5		34FM5	
Motorfans	n° x Ø mm	2x250		2x250		2x250		2x315		2x315	
Frequency	Hz	50	60	50	60	50	60	50	60	50	60
Electrical consumption	A	1.32	1.32	1.32	1.32	1.32	1.32	0.86	1.16	0.86	1.16
	W	190	190	190	190	190	190	192	260	192	260
RPM		1300	1400	1300	1400	1300	1400	1340	1490	1340	1490

SD1 - Motorfan junction box

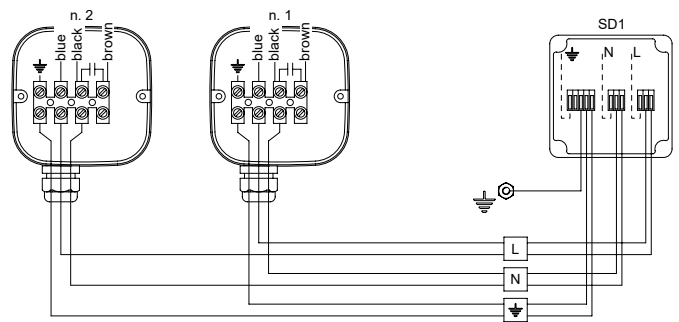


Ø250 fan diameter unit



- = yellow-green
- L = brown
- N = blue
- CR = cable quick connection
- SD1 = motorfan junction box

Ø315 fan diameter unit



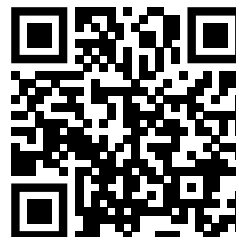
- = yellow-green
- L = brown
- N = blue
- SD1 = motorfan junction box

Notes



Modine CIS Italy S.r.l.
 33050 Pocenia - Udine - Italy
 Via Giulio Locatelli, 22
 Tel. +39 0432.772.001
 Fax +39 0432.779.594
 www.modine.com

Link to user manuals:



<https://www.modinecoolers.com/documents/>