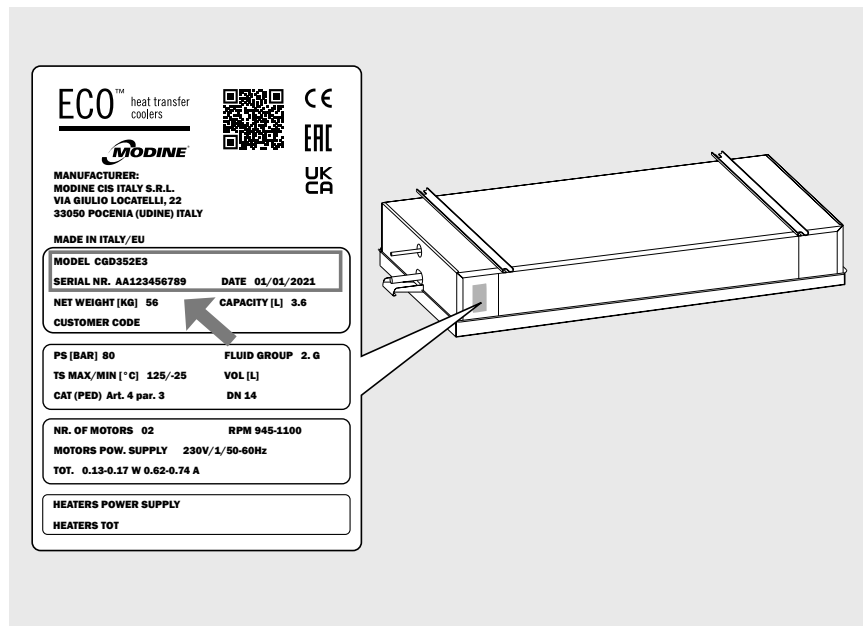


CGD

QUICK GUIDE

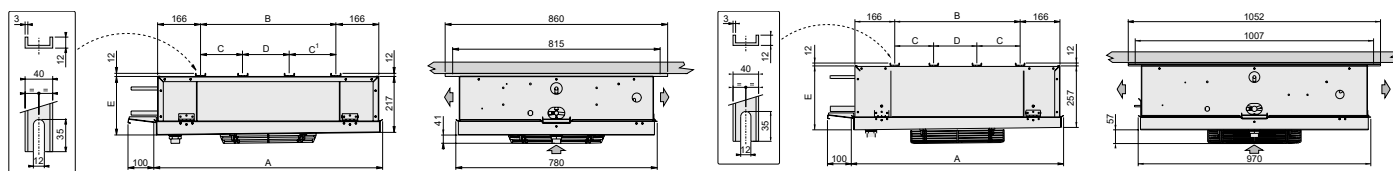
This document is a concise version of the model manual. This document is not meant to be a replacement of the manual. To download the full manual please scan the QRcode below or locate the data label on the model and scan the QRcode.



Construction and dimensional features

Ø315 fan diameter unit

Ø350 fan diameter unit



(1) 5-engine models do not have this dimension C

Use thermostatic valve with external pressure equalizer

Model	CGD	311E3	312E3	313E3	-	314E3	315E3	-	316E3	-
		311E4	312E4	313E4		314E4		315E4		316E4
		311E7	312E7		313E7	314E7		315E7		316E7
Motorfans	n° x Ø mm	1x315	2x315	3x315	3x315	4x315	5x315	5x315	6x315	6x315
Dimensions	A	885	1435	1985	1985	2535	3085	3085	3635	3635
	B	524	1074	1624	1624	2174	2724	2724	3274	3274
	C	-	-	812	812	1087	1087	1087	1087	1087
	D	-	-	-	-	-	1637	1637	1100	1100
	E	230	235	240	240	245	250	250	255	255
Coil connections	In (mm)	12.7	12.7	12.7	12.7	12.7	12.7	12.7	12.7	12.7
	Out (mm)	12.7	12.7	15.87	12.7	15.87	22.23	15.87	22.23	15.87
Drain connection	Ø (GAS)	1"	1"	1"	1"	1"	1"	1"	1"	1"
Net weight	kg	21	36	53	50	69	82	82	98	98

Model	CGD	351E3	361A3	352E3	-	362A3	353E3	363A3	-	354E3	-	364A3	-	355E3	-	365A3
		351E4	361A4		352E4	362A4	353E4		363A4		354E4		364A4		355E4	365A4
		351E7	361A7		352E7	362A7	353E7		363A7		354E7		364A7		355E7	365A7
Motorfans	n° x Ø mm	1x350	1x350	2x350	2x350	2x350	3x350	3x350	3x350	4x350	4x350	4x350	4x350	5x350	5x350	5x350
Dimensions	A	885	885	1435	1435	1435	1985	1985	1985	2535	2535	2535	2535	3085	3085	3085
	B	523	523	1073	1073	1073	1623	1623	1623	2173	2173	2173	2173	2723	2723	2723
	C	-	-	-	-	-	522	522	522	1072	1072	1072	1072	1072	1072	1072
	D	-	-	-	-	-	1102	1102	1102	1102	1102	1102	1102	1652	1652	1652
	E	270	270	275	275	275	280	280	280	285	285	285	285	290	290	290
Coil connections	In (mm)	12.7	12.7	12.7	12.7	12.7	12.7	12.7	12.7	12.7	12.7	15.87	12.7	15.87	12.7	15.87
	Out (mm)	12.7	12.7	15.87	12.7	15.87	15.87	22.23	15.87	22.23	15.87	22.23	22.23	22.23	22.23	22.23
Drain connection	Ø (GAS)	1	1	1	1	1	1	1	1	1	1	1	1	1	1	1
Net weight	kg	32	38	56	56	67	80	96	96	104	104	124	124	126	126	150

Wiring diagrams

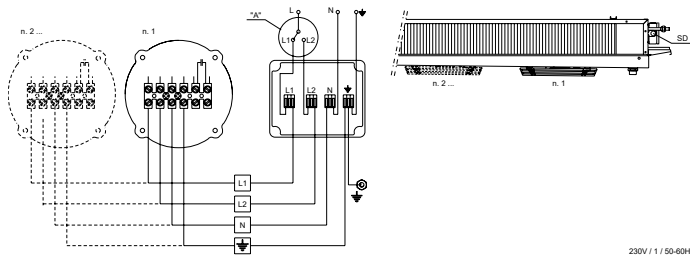
Motor-fan connection diagram

Important. The motors are equipped with inner thermal protection with automatic reconnection. Before using motor speed control systems verify the compatibility with the motors. Non compatible systems may damage motors or increase noise level; Modine will not be responsible for model performance with speed control systems. For fans equipped with thermal contacts (TK), these must be connected to the control circuit. For models supplied with wiring in a junction box, remove the cover to make the connection.

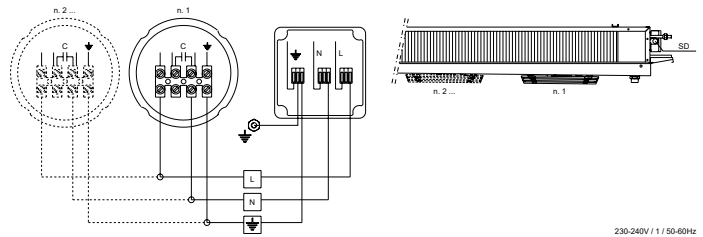
Model	CGD	311E3		312E3		313E3		314E3		315E3		316E3	
		311E4		312E4		313E4		314E4		315E4		316E4	
		311E7		312E7		313E7		314E7		315E7		316E7	
Motorfans	n° x Ø mm	1x315		2x315		3x315		4x315		5x315		6x315	
Frequency	Hz	50	60	50	60	50	60	50	60	50	60	50	60
Junction box connections L1 - N													
Electrical consumption	A	0.38	0.45	0.76	0.90	1.14	1.35	1.52	1.80	1.90	2.25	2.28	2.70
	W	85	100	170	200	255	300	340	400	425	500	510	600
RPM		1170	940	1170	940	1170	940	1170	940	1170	940	1170	940
Junction box connections L2 - N													
Electrical consumption	A	0.44	0.62	0.88	1.24	1.32	1.86	1.76	2.48	2.20	3.10	2.64	3.72
	W	100	135	200	270	300	405	400	540	500	675	600	810
RPM		1300	1350	1300	1350	1300	1350	1300	1350	1300	1350	1300	1350

Model	CGD	351E3		361A3		352E3		362A3		353E3		363A3		354E3		364A3		355E3		365A3	
		351E4		361A4		352E4		362A4		353E4		363A4		354E4		364A4		355E4		365A4	
		351E7		361A7		352E7		362A7		353E7		363A7		354E7		364A7		355E7		365A7	
Motorfans	n° x Ø mm	1x350		1x350		2x350		2x350		3x350		3x350		4x350		4x350		5x350		5x350	
Frequency	Hz	50	60	50	60	50	60	50	60	50	60	50	60	50	60	50	60	50	60	50	60
Electrical consumption	A	0.31	0.37	0.68	0.90	0.62	0.74	1.36	1.80	0.93	1.11	2.04	2.70	1.24	1.48	2.72	3.60	1.55	1.85	3.40	4.50
	W	65	85	145	205	130	170	290	410	195	255	435	615	260	340	580	820	325	425	725	1025
RPM		945	1100	1450	1700	945	1100	1450	1700	945	1100	1450	1700	945	1100	1450	1700	945	1100	1450	1700

Ø315 fan diameter unit



Ø350 fan diameter unit



NOTE: It is possible to vary the number of revolutions of the motor by applying suitable commutation systems (not supplied). See detail "A".

junction box connections	revolving speed
L1 - N	low
L2 - N	high

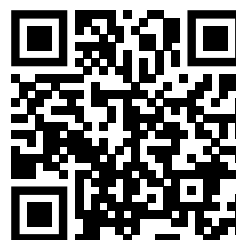
- = yellow-green
- L1 = black
- L2 = brown
- N = blue or grey
- SD = junction box

- = yellow-green
- L = brown
- N = blue or grey
- SD = junction box



Modine CIS Italy S.r.l.
 33050 Pordenone - Udine - Italy
 Via Giulio Locatelli, 22
 Tel. +39 0432.772.001
 Fax +39 0432.779.594
 www.modine.com

Link to user manuals:



<https://www.modinecoolers.com/documents/>