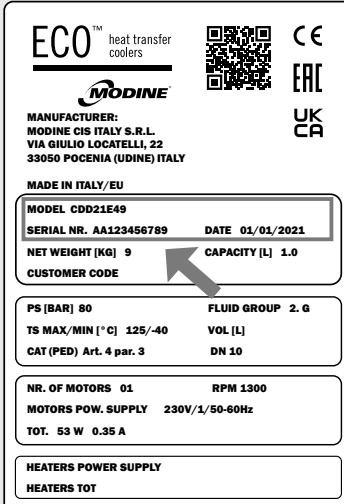


CDD

QUICK GUIDE

This document is a concise version of the model manual. This document is not meant to be a replacement of the manual. To download the full manual please scan the QRcode below or locate the data label on the model and scan the QRcode.



ECO™ heat transfer coolers
MODINE

MANUFACTURER:
MODINE CIS ITALY S.R.L.
VIA GIULIO LOCATELLI, 22
33050 POCENIA (UDINE) ITALY

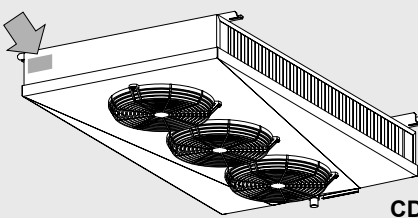
MADE IN ITALY/EU

MODEL CDD21E49
SERIAL NR. AA123456789 DATE 01/01/2021
NET WEIGHT [KG] 9 CAPACITY [L] 1.0
CUSTOMER CODE

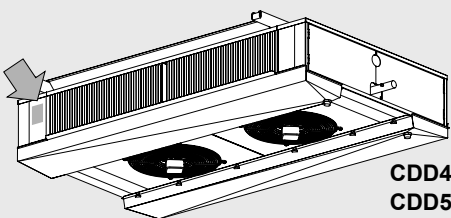
PS [BAR] 80 FLUID GROUP 2. G
TS MAX./MIN [°C] 125/-40 VOL [L]
CAT (PED) Art. 4 par. 3 DN 10

NR. OF MOTORS 01 RPM 1300
MOTORS POW. SUPPLY 230V/1/50-60Hz
TOT. 53 W 0.35 A


HEATERS POWER SUPPLY
HEATERS TOT




CDD2




CDD4
CDD5



Link to user manuals:



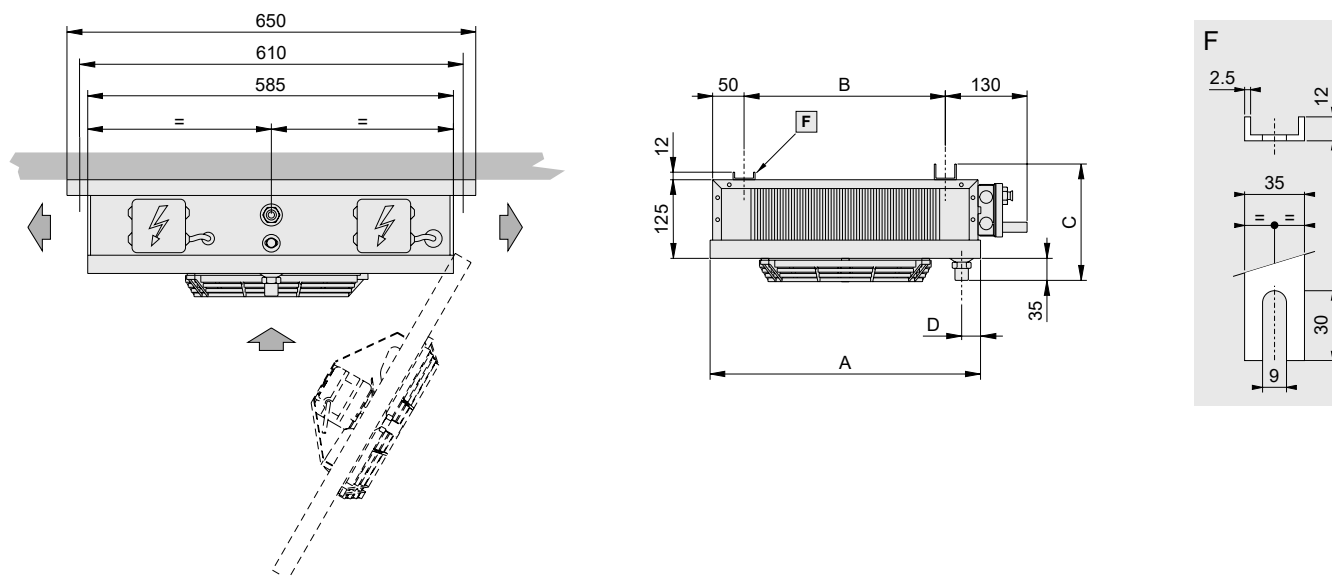
IT ES
EN FR
DE RU



Before removing the packaging, handling, assembling, positioning, commissioning of the machine and before performing any work on the model, download and carefully read all the information in the manual. If in doubt contact Modine.

Construction and dimensional features

CDD2 Ø230 mm fan diameter unit

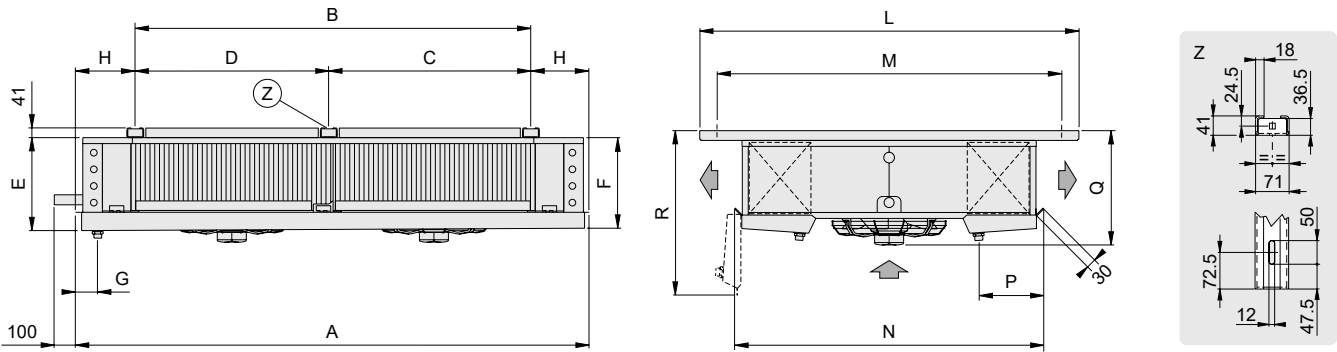


Model	CDD	21E49	22E49	22A49	23A49	24A49	25A49
Motofans	n° x Ø mm	1x230	2x230	2x230	3x230	4x230	5x230
	A	430	730	730	1030	1330	1630
	B	320	620	620	920	1220	1520
	C	172	185	185	185	185	185
	D	30	30	30	30	35	35
Net weight	kg	9.0	13.0	15.0	21.0	27.0	33.0

Model	CDD	21E49	22E49	22A49	23A49	24A49	25A49
Coil connections	In (SAE)	12	12	12	12	12	12
	Out (mm)	12	12	16	16	16	16
Drain connection	Ø (GAS)	1/2"	1/2"	1/2"	1/2"	1"	1"

Thermostatic valve with external pressure equaliser recommended

CDD4 - CDD5 Ø450 - Ø560 mm fan diameter unit



Model	CDD	41A04	41B04	42A04	42B04	43A04	43B04	52A04	52B04	53A04	53B04	54A04	54B04
		41A07	41B07	42A07	42B07	43A07	43B07	52A07	52B07	53A07	53B07	54A07	54B07
		41A10	41B10	42A10	42B10	43A10	43B10	52A10	52B10	53A10	53B10	54A10	54B10
Motorfans	n° x Ø mm	1 x 450		2 x 450		3 x 450		2 x 560		3 x 560		4 x 560	
Dimensions	A	1300		2150		3000		2760		3860		4960	
	B	814		1664		2514		2164		3264		4364	
	C	-		-		1700		1100		2 x 1100		3 x 1100	
	D	-		-		814		1064		1064		1064	
	E	406		410		415		538		543		550	
	F	400		400		400		530		530		530	
	G	85		85		85		90		90		90	
	H	243		243		243		298		298		298	
	L	1594		1594		1594		1809		1809		1809	
	M	1449		1449		1449		1664		1664		1664	
	N	1290		1290		1290		1505		1505		1505	
	P	280		280		280		280		280		280	
Q	490		490		490		680		680		680		
R	695		695		695		835		835		835		
Net weight	kg	80		145		206		250		370		498	

Model	CDD	41A04	41B04	42A04	42B04	43A04	43B04
		41A07	41B07	42A07	42B07	43A07	43B07
		41A10	41B10	42A10	42B10	43A10	43B10
Coil connections	In (mm)	12		12		12	
	Out (mm)	12		16		22	
Drain connection	Ø (GAS)	2 x 1"		2 x 1"		2 x 1"	

Model	CDD	52A04	52B04	-	-	53A04	53B04	-	-	-	54A04	54B04	
		-	-	52A07	52B07	-	53B07	53A07	-	-	54A07	54B07	
		-	-	52A10	52B10	-	-	-	53B10	53A10	54A10	54B10	
Coil connections	In (mm)	16		12		22		22		16		22	
	Out (mm)	28		22		28		22		22		28	
Drain connection	Ø (GAS)	2 x 2"		2 x 2"		2 x 2"		2 x 2"		2 x 2"		2 x 2"	

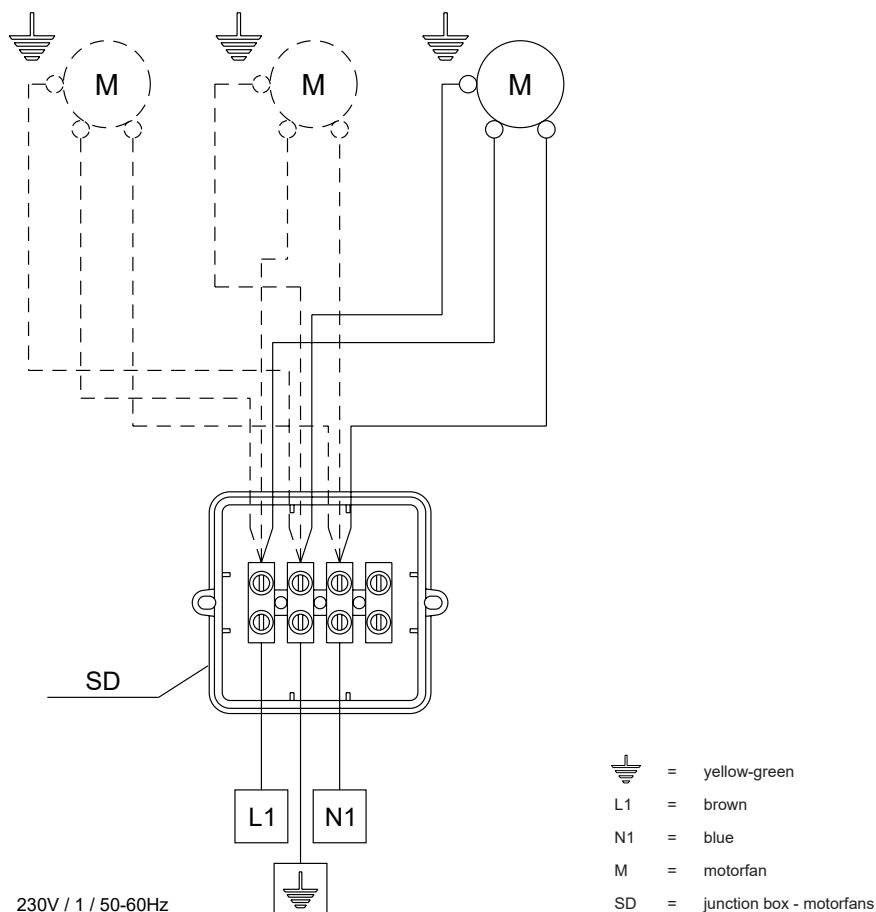
Thermostatic valve with external pressure equaliser recommended

Wiring diagrams

Motor-fan connection diagram

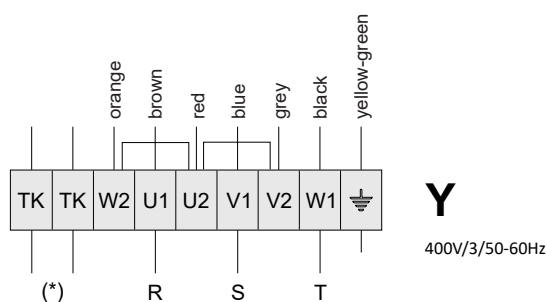
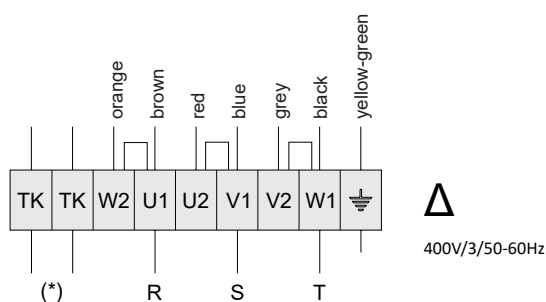
Important. The motors are equipped with inner thermal protection with automatic reconnection. Before using motor speed control systems verify the compatibility with the motors. Non compatible systems may damage motors or increase noise level; Modine will not be responsible for model performance with speed control systems. For fans equipped with thermal contacts (TK), these must be connected to the control circuit. For models supplied with wiring in a junction box, remove the cover to make the connection.

CDD2 Ø230 mm fan diameter unit



Model	CDD	21E49		22E49		-		-		-	
		-		22A49		23A49		24A49		25A49	
Motorfans	n° x Ø mm	1x230		2x230		3x230		4x230		5x230	
Frequency	Hz	50	60	50	60	50	60	50	60	50	60
Electrical consumption	A	0.35	0.35	0.70	0.70	1.05	1.05	1.40	1.40	1.75	1.75
	W	53	53	106	106	159	159	212	212	265	265
RPM		1300	1300	1300	1300	1300	1300	1300	1300	1300	1300

CDD4 - Ø450 mm fan diameter unit and CDD5 - Ø560 mm fan diameter unit



Model	CDD	41A04		41B04		42A04		42B04		43A04		43B04		52A04		52B04		53A04		53B04		54A04		54B04	
		41A07		41B07		42A07		42B07		43A07		43B07		52A07		52B07		53A07		53B07		54A07		54B07	
		41A10		41B10		42A10		42B10		43A10		43B10		52A10		52B10		53A10		53B10		54A10		54B10	
Motorfans	n° x Ø mm	1x450		2x450		3x450		2x560		3x560		4x560													
Frequency	Hz	50		50		50		50		50		50													
Electrical consumption (high speed, Δ)	A	0.79		1.58		2.37		3.30		4.95		6.60													
	W	430		860		1290		1680		2520		3360													
RPM (high speed, Δ)		1370		1370		1370		1360		1360		1360													
Electrical consumption (low speed, Y)	A	0.53		1.06		1.59		2.10		3.15		4.20													
	W	330		660		990		1280		1920		2560													
RPM (low speed, Y)		1030		1030		1030		1090		1090		1090													

