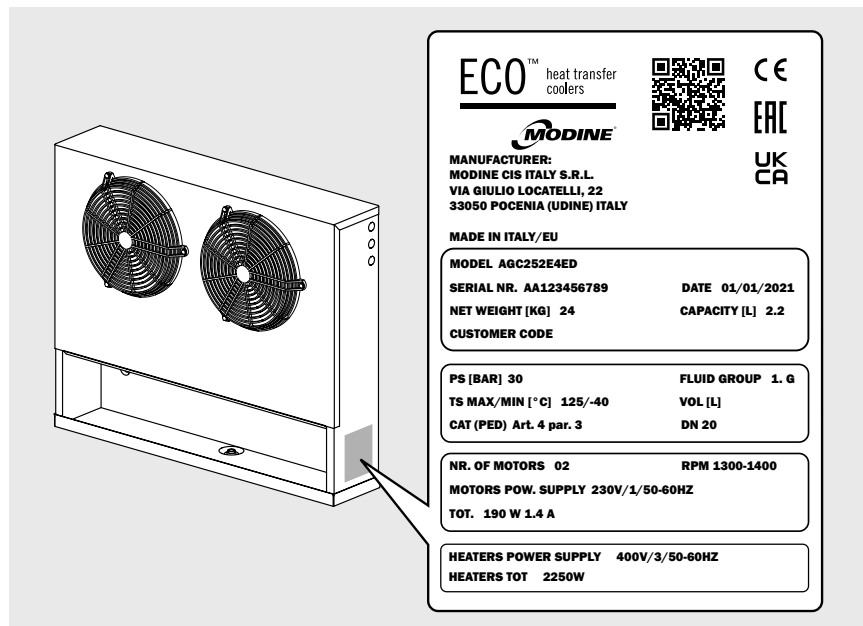


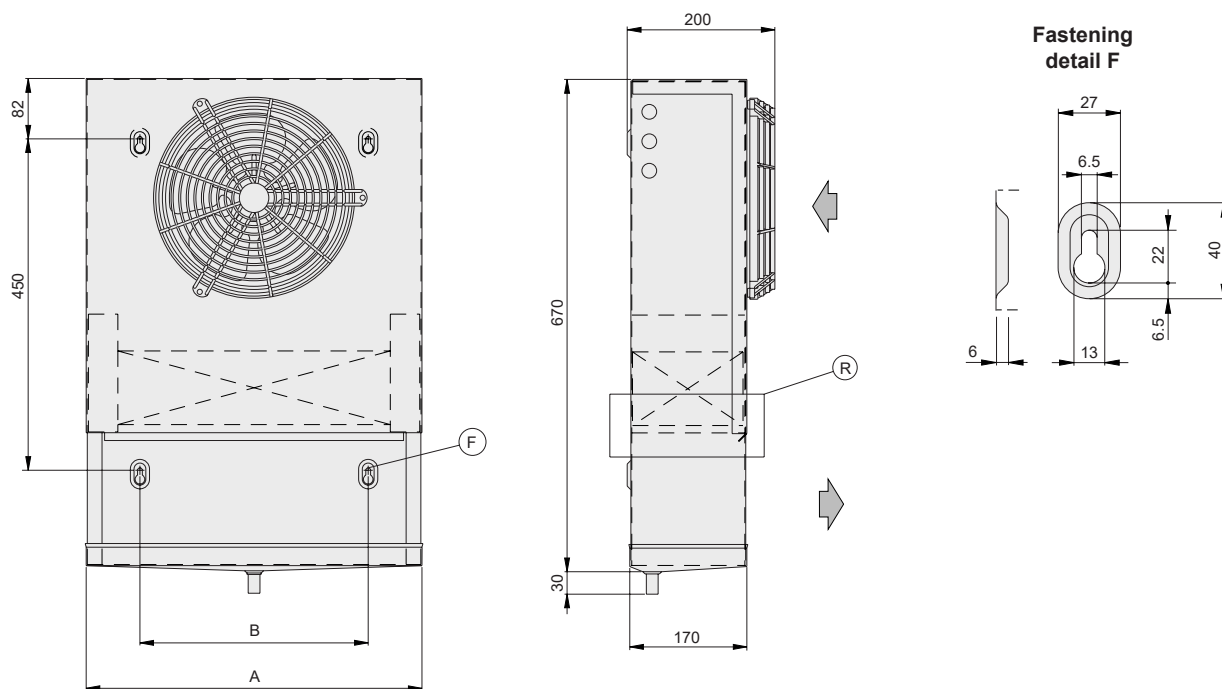
# AP

# QUICK GUIDE

This document is a concise version of the model manual. This document is not meant to be a replacement of the manual. To download the full manual please scan the QRcode below or locate the data label on the model and scan the QRcode.



## Construction and dimensional features



MF = Heater clip

R0 = Heater

Model	AP	080	081	101	201	301
		080B	081B	101B	201B	301B
Motorfans	n° x Ø mm	1x230	1x230	2x230	2x230	3x230
Dimensions	A	460	460	460	810	1160
	B	310	310	310	660	1010
Coil connections	In (SAE)	1/2"	1/2"	1/2"	5/8"	5/8"
	Out (SAE)	1/2"	1/2"	1/2"	5/8"	5/8"
Drain connection	Ø (mm)	16	16	16	16	16
Net weight	kg	6.4	6.4	7.1	12.1	16.8

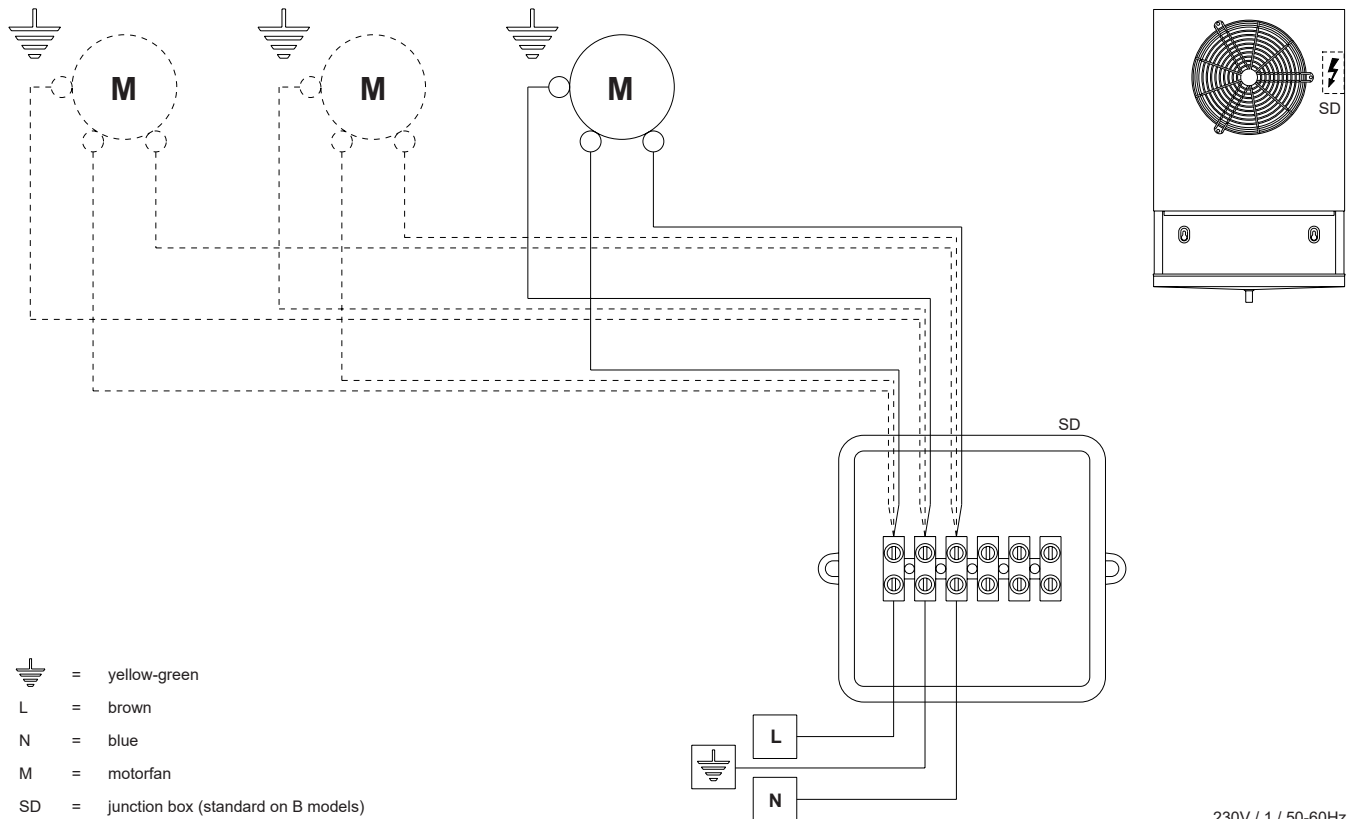
(\*) Use thermostatic valve with external pressure equalizer

## Wiring diagrams

### Motor-fan connection diagram

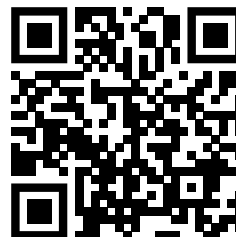
**Important. The motors are equipped with inner thermal protection with automatic reconnection. Before using motor speed control systems verify the compatibility with the motors. Non compatible systems may damage motors or increase noise level; Modine will not be responsible for model performance with speed control systems. For fans equipped with thermal contacts (TK), these must be connected to the control circuit. For models supplied with wiring in a junction box, remove the cover to make the connection.**

Model	AP	080		081		101		201		301	
		080B	081B	101B	201B	301B					
Motorfans	n° x Ø mm	1x230		1x230		2x230		3x230			
Frequency	Hz	50	60	50	60	50	60	50	60	50	60
Electrical consumption	A	0.35		0.35		0.70		1.05			
	W	53		53		106		159			
RPM		1300		1300		1300		1300			



Modine CIS Italy S.r.l.  
 33050 Pocenia - Udine - Italy  
 Via Giulio Locatelli, 22  
 Tel. +39 0432.772.001  
 Fax +39 0432.779.594  
 www.modine.com

Link to user manuals:



<https://www.modinecoolers.com/documents/>