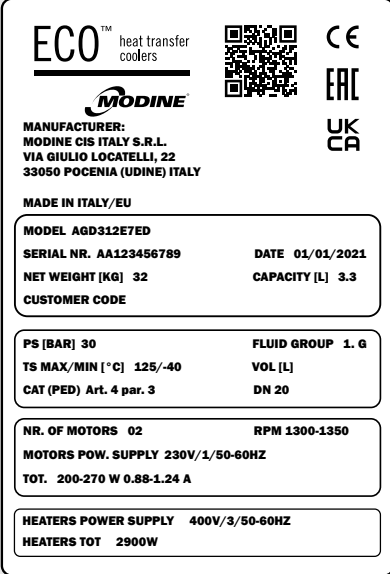


AGD

QUICK GUIDE

This document is a concise version of the model manual. This document is not meant to be a replacement of the manual. To download the full manual please scan the QRcode below or locate the data label on the model and scan the QRcode.



ECO™ heat transfer coolers
MODINE

MANUFACTURER: MODINE CIS ITALY S.R.L.
VIA GIULIO LOCATELLI, 22
33050 POCENIA (UDINE) ITALY

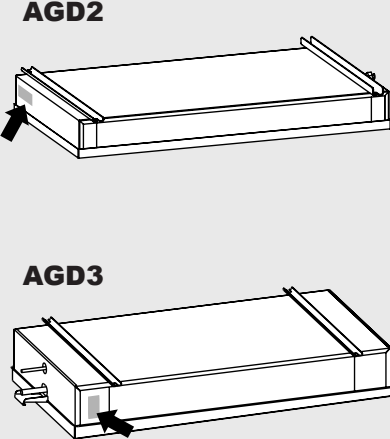
MADE IN ITALY/EU

MODEL AGD312E7ED
SERIAL NR. AA123456789
NET WEIGHT [KG] 32
CUSTOMER CODE

PS [BAR] 30
TS MAX/MIN [°C] 125/-40
CAT (PED) Art. 4 par. 3

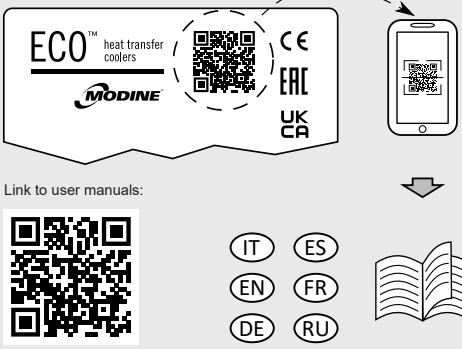
NR. OF MOTORS 02
MOTORS POW. SUPPLY 230V/1/50-60HZ
TOT. 200-270 W 0.88-1.24 A

HEATERS POWER SUPPLY 400V/3/50-60HZ
HEATERS TOT 2900W



AGD2

AGD3



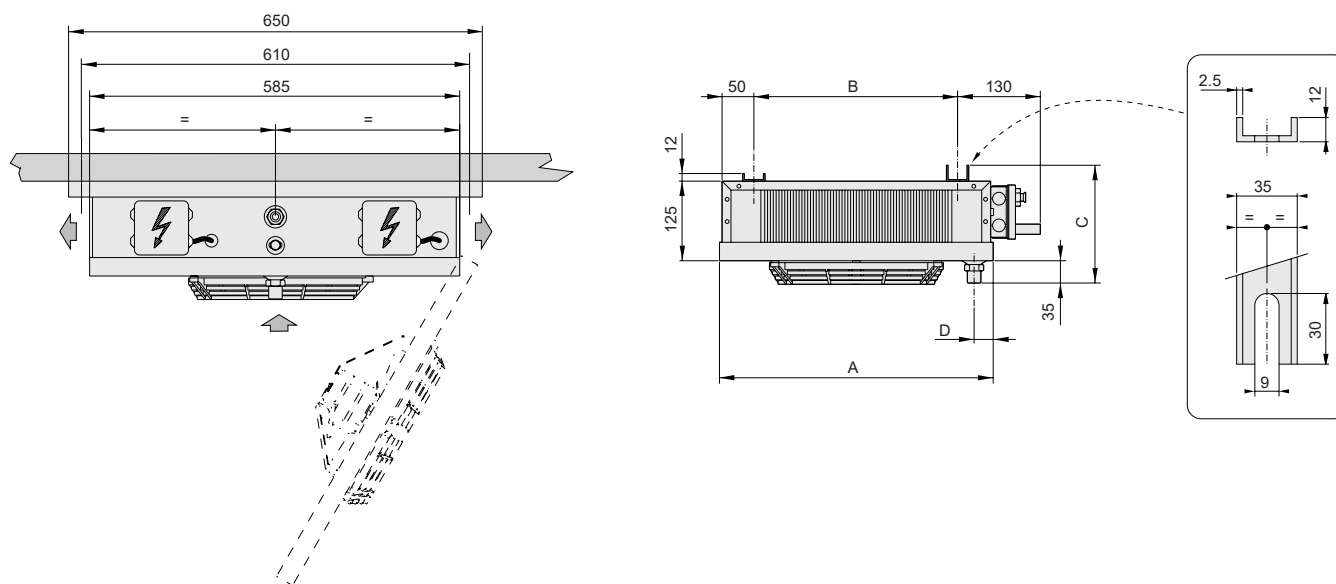
Link to user manuals:

IT ES
EN FR
DE RU

! Before removing the packaging, handling, assembling, positioning, commissioning of the machine and before performing any work on the model, download and carefully read all the information in the manual. If in doubt contact Modine.

Construction and dimensional features

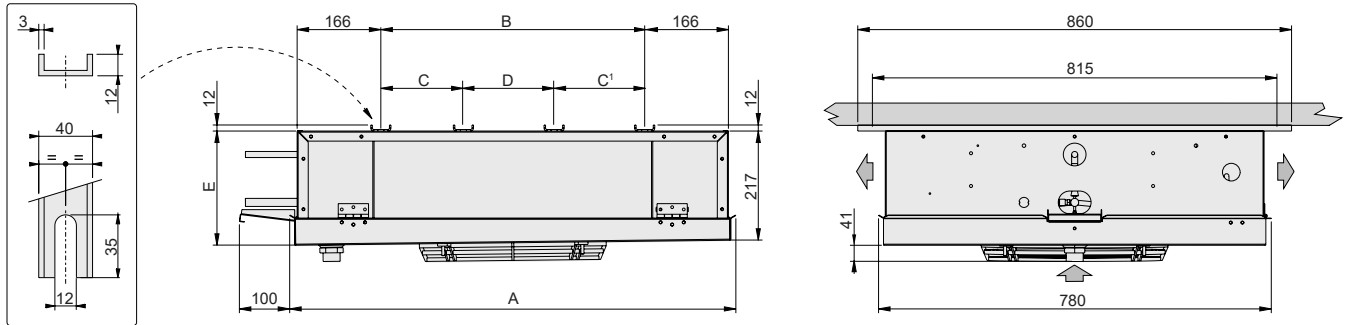
AGD2 - Ø230 mm fan diameter unit



Model	AGD	21E49R	21E49	21A49	22E49	22A49	23A49	24A49	25A49
Motorfans	n° x Ø mm	1x230	1x230	1x230	2x230	2x230	3x230	4x230	5x230
Dimensions	A	430	430	430	730	730	1030	1330	1630
	B	320	320	320	620	620	920	1220	1520
	C	172	172	172	185	185	185	185	185
	D	30	30	30	30	30	30	35	35
Coil connections	In (SAE)	1/2"	1/2"	1/2"	1/2"	1/2"	1/2"	1/2"	1/2"
	Out (mm)	12	12	16	16	16	22	22	22
Drain connection	Ø (GAS)	1/2"	1/2"	1/2"	1/2"	1/2"	1/2"	1"	1"
Net weight	kg	7.3	7.3	8.0	12.2	13.4	19.0	24.4	29.9

Use thermostatic valve with external pressure equalizer

AGD3 - Ø315 mm fan diameter unit

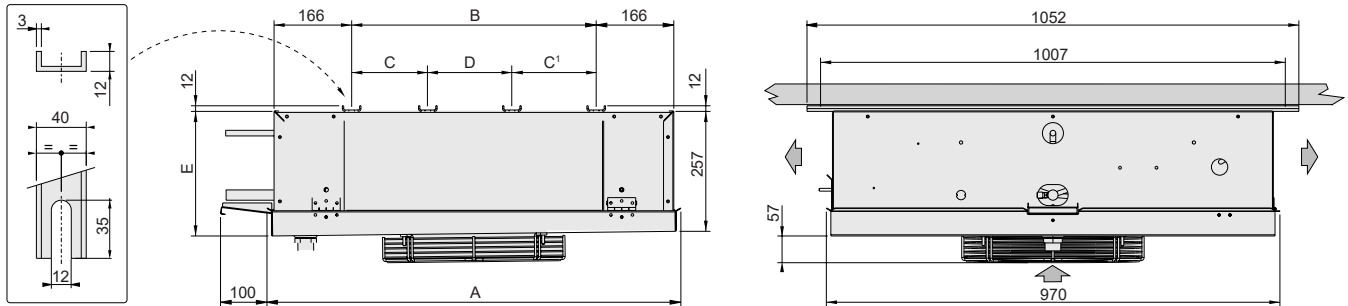


(1) For 5-motor models this C dimension is not foreseen

Model	AGD	311E3	312E3	-	313E3	314E3	315E3	-	316E3	-
		311E4	312E4	-	313E4	314E4	-	315E4	316E4	-
		311E7	-	312E7	313E7	314E7	-	315E7	-	316E7
Fan motors	n° x Ø mm	1x315	2x315	2x315	3x315	4x315	5x315	5x315	6x315	6x315
Dimensions	A	885	1435	1435	1985	2535	3085	3085	3635	3635
	B	524	1074	1074	1624	2174	2724	2724	3274	3274
	C	-	-	-	812	1087	1087	1087	1087	1087
	D	-	-	-	-	-	1637	1637	1100	1100
	E	230	235	235	240	245	250	250	255	255
Coil connections	In (mm)	12	16	12	16	16	22	16	22	16
	Out (mm)	16	22	22	28	28	35	35	35	35
Drain connections	Ø (GAS)	1"	1"	1"	1"	1"	1"	1"	1"	1"
Net weight	kg	20	34	32	53	69	82	78	98	92

Use thermostatic valve with external pressure equalizer

AGD3 - Ø350 mm fan diameter unit



(1) For 3 and 5-motor models this C dimension is not foreseen

Model	AGD	351E3	361A3	-	352E3	362A3	353E3	363A3	354E3	364A3
		351E4	-	361A4	352E4	362A4	353E4	363A4	354E4	364A4
		351E7	-	361A7	352E7	362A7	353E7	363A7	354E7	364A7
Fan motors	n° x Ø mm	1x350	1x350	1x350	2x350	2x350	3x350	3x350	4x350	4x350
Dimensions	A	885	885	885	1435	1435	1985	1985	2535	2535
	B	523	523	523	1073	1073	1623	1623	2173	2173
	C	-	-	-	-	-	522	522	1072	1072
	D	-	-	-	-	-	1102	1102	1102	1102
	E	270	270	270	275	275	280	280	285	285
Coil connections	In (mm)	12	16	12	16	16	16	22	22	22
	Out (mm)	22	22	22	28	28	28	35	35	35
Drain connections	Ø (GAS)	1	1	1	1	1	1	1	1	1
Net weight	kg	32	38	38	56	67	80	96	104	124

Use thermostatic valve with external pressure equalizer

Wiring diagrams

Motor-fan connection diagram

Important. The motors are equipped with inner thermal protection with automatic reconnection. Before using motor speed control systems verify the compatibility with the motors. Non compatible systems may damage motors or increase noise level; Modine will not be responsible for model performance with speed control systems. For fans equipped with thermal contacts (TK), these must be connected to the control circuit. For models supplied with wiring in a junction box, remove the cover to make the connection.

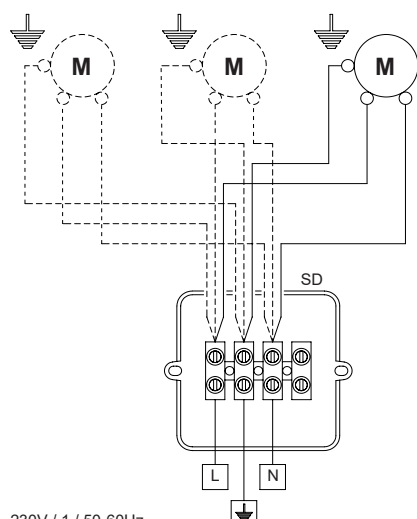
Model	AGD	21E49R 21E49 21A49	22E49 22A49 -	23A49 -	24A49 -	25A49 -
Fan motors	n° x Ø mm	1x230	2x230	3x230	4x230	5x230
Frequency	Hz	50 60	50 60	50 60	50 60	50 60
Electrical consumption	A	0.35	0.70	1.05	1.40	1.75
	W	53	106	159	212	265
RPM		1300	1300	1300	1300	1300

Model	AGD	311E3 311E4 311E7	312E3 312E4 312E7	313E3 313E4 313E7	314E3 314E4 314E7	315E3 315E4 315E7	316E3 316E4 316E7						
Fan motors	n° x Ø mm	1x315	2x315	3x315	4x315	5x315	6x315						
Frequency	Hz	50 60	50 60	50 60	50 60	50 60	50 60						
Connections in terminal box L1 - N													
Electrical consumption	A	0.38	0.45	0.76	0.90	1.14	1.35	1.52	1.80	1.90	2.25	2.28	2.70
	W	85	100	170	200	255	300	340	400	425	500	510	600
RPM		1170	940	1170	940	1170	940	1170	940	1170	940	1170	940
Connections in terminal box L2 - N													
Electrical consumption	A	0.44	0.62	0.88	1.24	1.32	1.86	1.76	2.48	2.20	3.10	2.64	3.72
	W	100	135	200	270	300	405	400	540	500	675	600	810
RPM		1300	1350	1300	1350	1300	1350	1300	1350	1300	1350	1300	1350

Model	AGD	351E3 351E4 351E7	352E3 352E4 352E7	353E3 353E4 353E7	354E3 354E4 354E7				
Fan motors	n° x Ø mm	1x350	2x350	3x350	4x350				
Frequency	Hz	50 60	50 60	50 60	50 60				
Electrical consumption	A	0.31	0.37	0.62	0.74	0.93	1.11	1.24	1.48
	W	65	85	130	170	195	255	260	340
RPM		945	1100	945	1100	945	1100	945	1100

Model	AGD	361A3 361A4 361A7	362A3 362A4 362A7	363A3 363A4 363A7	364A3 364A4 364A7				
Fan motors	n° x Ø mm	1x350	2x350	3x350	4x350				
Frequency	Hz	50 60	50 60	50 60	50 60				
Electrical consumption	A	0.68	0.90	1.36	1.80	2.04	2.70	2.72	3.60
	W	145	205	290	410	435	615	580	820
RPM		1450	1700	1450	1700	1450	1700	1450	1700

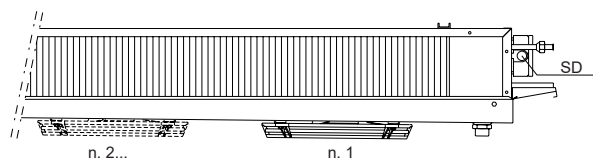
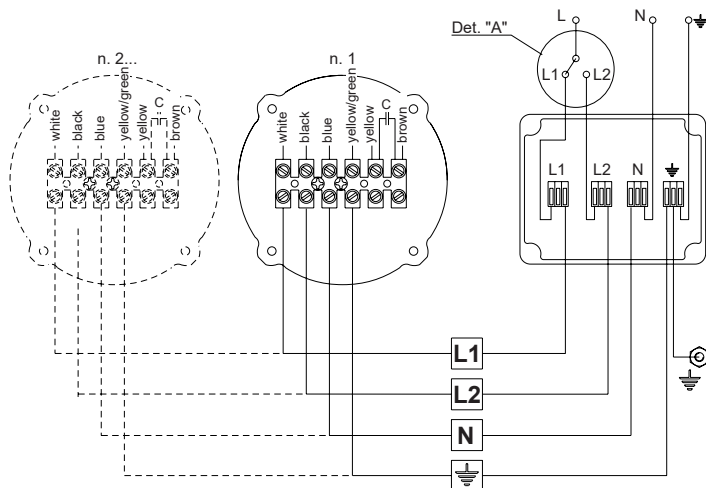
AGD2 - Ø230 mm fan diameter unit



- = yellow-green
- L = brown
- N = blue
- M = motorfans
- SD = junction box (motorfans)

230V / 1 / 50-60Hz

AGD3 - Ø315 mm fan diameter unit



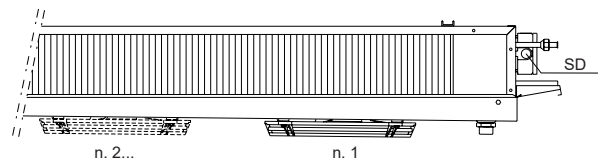
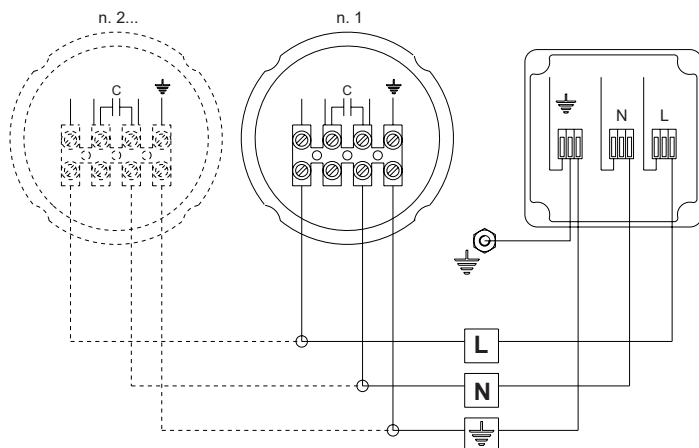
NOTE: It is possible to vary the number of revolutions of the motor by applying suitable commutation systems (not supplied). See detail "A".

- = yellow-green
- L1 = black
- L2 = brown
- N = blue o grey
- SD = terminal box

connections in terminal box	revolving speed
L1 - N	low
L2 - N	high

230V / 1 / 50-60Hz

AGD3 - Ø350 mm fan diameter unit



- = yellow-green
- L = brown
- N = blue o grey
- SD = terminal box

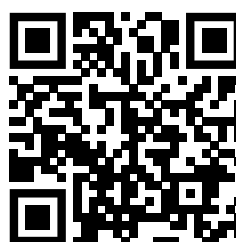
230 - 240V / 1 / 50-60Hz

Notes



Modine CIS Italy S.r.l.
 33050 Pocenia - Udine - Italy
 Via Giulio Locatelli, 22
 Tel. +39 0432.772.001
 Fax +39 0432.779.594
 www.modine.com

Link to user manuals:



<https://www.modinecoolers.com/documents/>