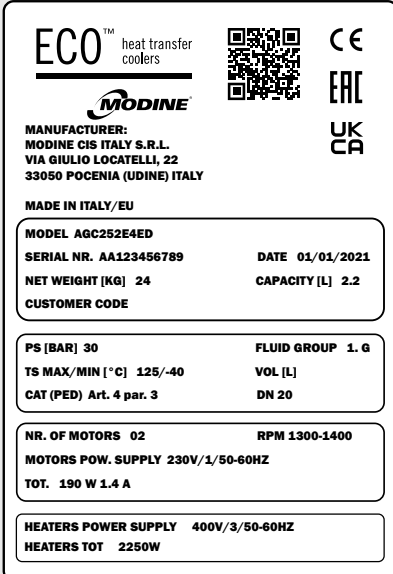


AGC

QUICK GUIDE

This document is a concise version of the model manual. This document is not meant to be a replacement of the manual. To download the full manual please scan the QRcode below or locate the data label on the model and scan the QRcode.



ECO™ heat transfer coolers
MODINE

MANUFACTURER:
MODINE CIS ITALY S.R.L.
VIA GIULIO LOCATELLI, 22
33050 POCENIA (UDINE) ITALY

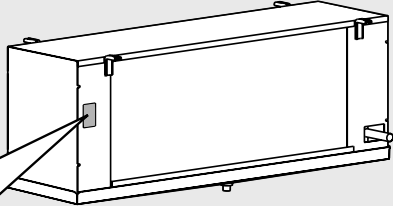
MADE IN ITALY/EU

MODEL AGC252E4ED
SERIAL NR. AA123456789 DATE 01/01/2021
NET WEIGHT [KG] 24 CAPACITY [L] 2.2
CUSTOMER CODE

PS [BAR] 30 FLUID GROUP 1. G
TS MAX/MIN [°C] 125/-40 VOL [L]
CAT (PED) Art. 4 par. 3 DN 20

NR. OF MOTORS 02 RPM 1300-1400
MOTORS POW. SUPPLY 230V/1/50-60HZ
TOT. 190 W 1.4 A


HEATERS POWER SUPPLY 400V/3/50-60HZ
HEATERS TOT 2250W




ECO™ heat transfer coolers
MODINE

CE
EAC
UK
CA

Link to user manuals:



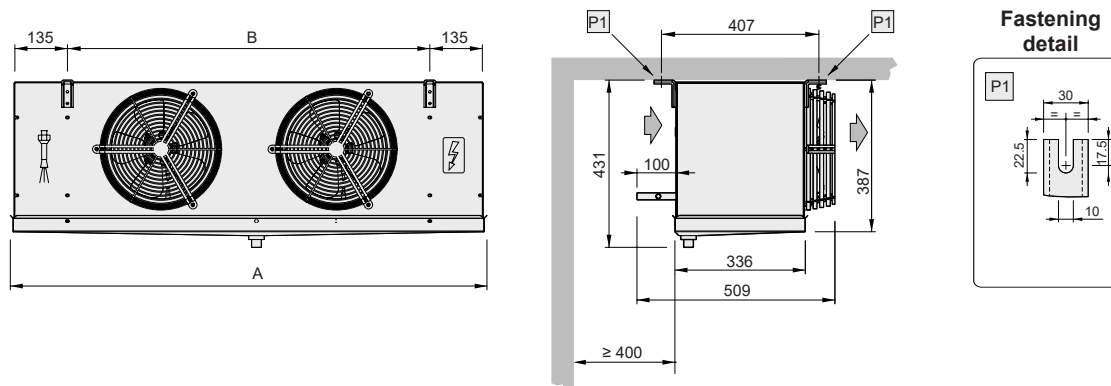
IT ES
EN FR
DE RU



! Before removing the packaging, handling, assembling, positioning, commissioning of the machine and before performing any work on the model, download and carefully read all the information in the manual. If in doubt contact Modine.

Construction and dimensional features

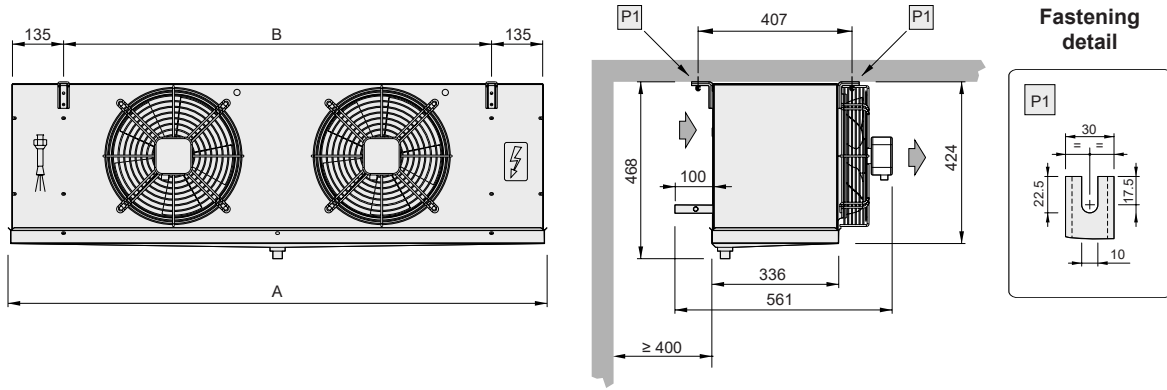
Ø250 fan diameter unit



Model	AGC	251E4R	-	251E4	252G4	252E4	253G4	253E4	254G4	-	254E4	
			-	251E6R	251E6	252G6	252E6	253G6	253E6	-	254G6	254E6
			-	251E8R	251E8	252G8	252E8	253G8	253E8	-	254G8	254E8
Fan motors	n° x Ø mm	1x250	1x250	1x250	2x250	2x250	3x250	3x250	4x250	4x250	4x250	
Dimensions	A	674	674	774	1224	1224	1674	1674	2124	2124	2124	
	B	380	380	480	930	930	1380	1380	1830	1830	1830	
Coil connections	In (mm)	12	1/2" SAE	12	12	12	12	12	12	12	16	
	Out (mm)	12	12	12	22	22	22	22	28	22	28	
Drain connection	Ø (GAS)	1"	1"	1"	1"	1"	1"	1"	1"	1"	1"	
Net weight	kg	13	12	14.5	21.5	24	30	33	38	38	41.5	

Use thermostatic valve with external pressure equalizer

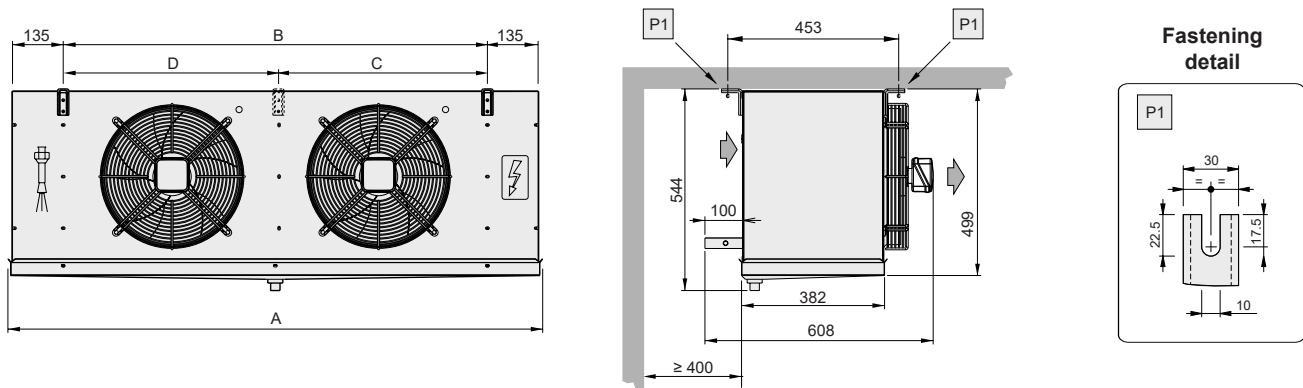
Ø315 fan diameter unit



Model	AGC	311F4	312F4	313F4	314F4	-	-
		311F6	312F6	313F6	-	314F6	-
		311F8	312F8	313F8	-	-	314F8
Fan motors	n° x Ø mm	1x315	2x315	3x315	4x315	4x315	4x315
Dimensions	A	874	1424	1974	2524	2524	2524
	B	580	1130	1680	2230	2230	2230
Coil connections	In (mm)	12	12	16	22	16	16
	Out (mm)	22	28	28	28	28	35
Drain connection	Ø (GAS)	1"	1"	1"	1"	1"	1"
Net weight	kg	20	34	47.5	61	58.5	58.5

Use thermostatic valve with external pressure equalizer

Ø350 fan diameter unit



Model	AGC	351E4	351A4	352E4	352A4	353F4	-	-	353A4	354F4
		351E6	351A6	352E6	352A6	-	353F6	-	353A6	354F6
		351E8	351A8	352E8	352A8	-	-	353F8	353A8	-
Fan motors	n° x Ø mm	1x350	1x350	2x350	2x350	3x350	3x350	3x350	3x350	4x350
Dimensions	A	875	875	1425	1425	1975	1975	1975	1975	2525
	B	580	580	1130	1130	1680	1680	1680	1680	2230
	C	-	-	-	-	-	-	-	-	1115
	D	-	-	-	-	-	-	-	-	1115
Coil connections	In (mm)	12	12	16	16	22	16	16	22	22
	Out (mm)	22	22	28	28	28	28	35	35	35
Drain connections	Ø (GAS)	1"	1"	1"	1"	1"	1"	1"	1"	1"
Net weight	kg	22	26.5	41	48	58	55	55	63	77

Use thermostatic valve with external pressure equalizer

Wiring diagrams

Motor-fan connection diagram

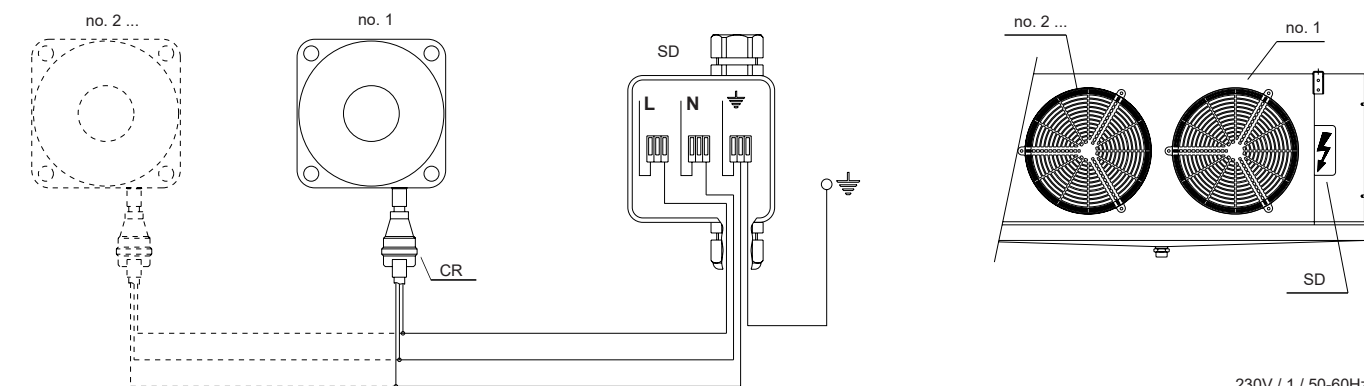
Important. The motors are equipped with inner thermal protection with automatic reconnection. Before using motor speed control systems verify the compatibility with the motors. Non compatible systems may damage motors or increase noise level; Modine will not be responsible for model performance with speed control systems. For fans equipped with thermal contacts (TK), these must be connected to the control circuit. For models supplied with wiring in a junction box, remove the cover to make the connection.

Model	AGC	251E4R	251E4	252G4	252E4	253G4	253E4	254G4	254E4
		251E6R	251E6	252G6	252E6	253G6	253E6	254G6	254E6
		251E8R	251E8	252G8	252E8	253G8	253E8	254G8	254E8
Fan motors	n° x Ø mm	1x250		2x250		3x250		4x250	
Frequency	Hz	50	60	50	60	50	60	50	60
Electrical consumption	A	0.66	0.66	1.32	1.32	1.98	1.98	2.64	2.64
	W	95	95	190	190	285	285	380	380
RPM		1300	1400	1300	1400	1300	1400	1300	1400

Model	AGC	311F4		312F4		313F4		314F4	
		311F6		312F6		313F6		314F6	
		311F8		312F8		313F8		314F8	
Fan motors	n° x Ø mm	1x315		2x315		3x315		4x315	
Frequency	Hz	50	60	50	60	50	60	50	60
Electrical consumption	A	0.52	0.66	1.04	1.32	1.56	1.98	2.08	2.64
	W	110	148	220	296	330	444	440	592
RPM		1350	1490	1350	1490	1350	1490	1350	1490

Model	AGC	351E4	351A4	352E4	352A4	353F4	353A4	354F4
		351E6	351A6	352E6	352A6	353F6	353A6	354F6
		351E8	351A8	352E8	352A8	353F8	353A8	-
Fan motors	n° x Ø mm	1x350		2x350		3x350		4x350
Frequency	Hz	50	60	50	60	50	60	50
Electrical consumption	A	0.83	1.08	1.66	2.16	2.49	3.24	3.32
	W	184	249	368	498	552	747	736
RPM		1405	1620	1405	1620	1405	1620	1405

Ø250 fan diameter unit



- = yellow-green
- L = brown or grey
- N = blue
- CR = cable quick connection
- SD = junction box

230V / 1 / 50-60Hz

