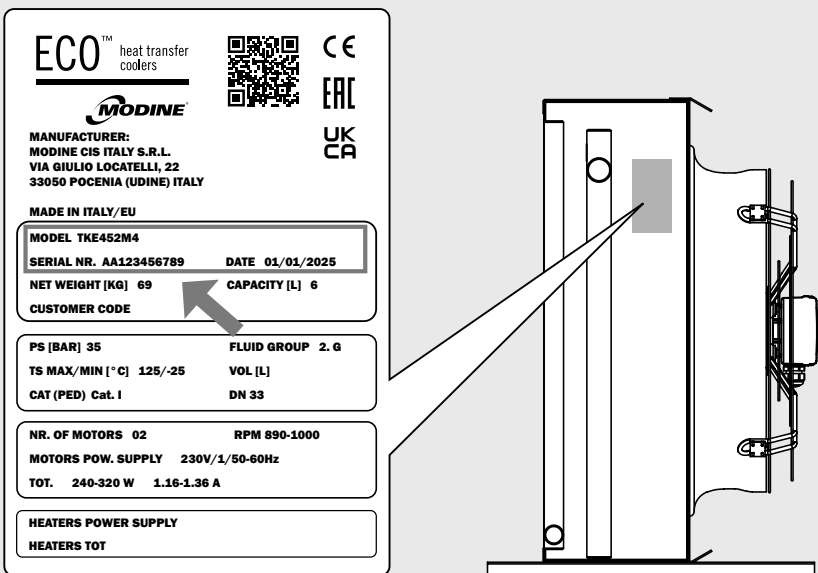


TKE

QUICK GUIDE

This document is a concise version of the model manual. This document is not meant to be a replacement of the manual. To download the full manual please scan the QRcode below or locate the data label on the model and scan the QRcode.



ECO™ heat transfer coolers
MODINE

MANUFACTURER:
MODINE CIS ITALY S.R.L.
VIA GIULIO LOCATELLI, 22
33050 POCENIA (UDINE) ITALY


MADE IN ITALY/EU

MODEL TKE452M4
SERIAL NR. AA123456789 DATE 01/01/2025
NET WEIGHT [KG] 69 CAPACITY [L] 6
CUSTOMER CODE


PS [BAR] 35 FLUID GROUP 2. G
TS MAX/MIN [°C] 125/-25 VOL [L]
CAT (PED) Cat. I DN 33

NR. OF MOTORS 02 RPM 890-1000
MOTORS POW. SUPPLY 230V/1/50-60Hz
TOT. 240-320 W 1.16-1.36 A

HEATERS POWER SUPPLY
HEATERS TOT



Link to user manuals:

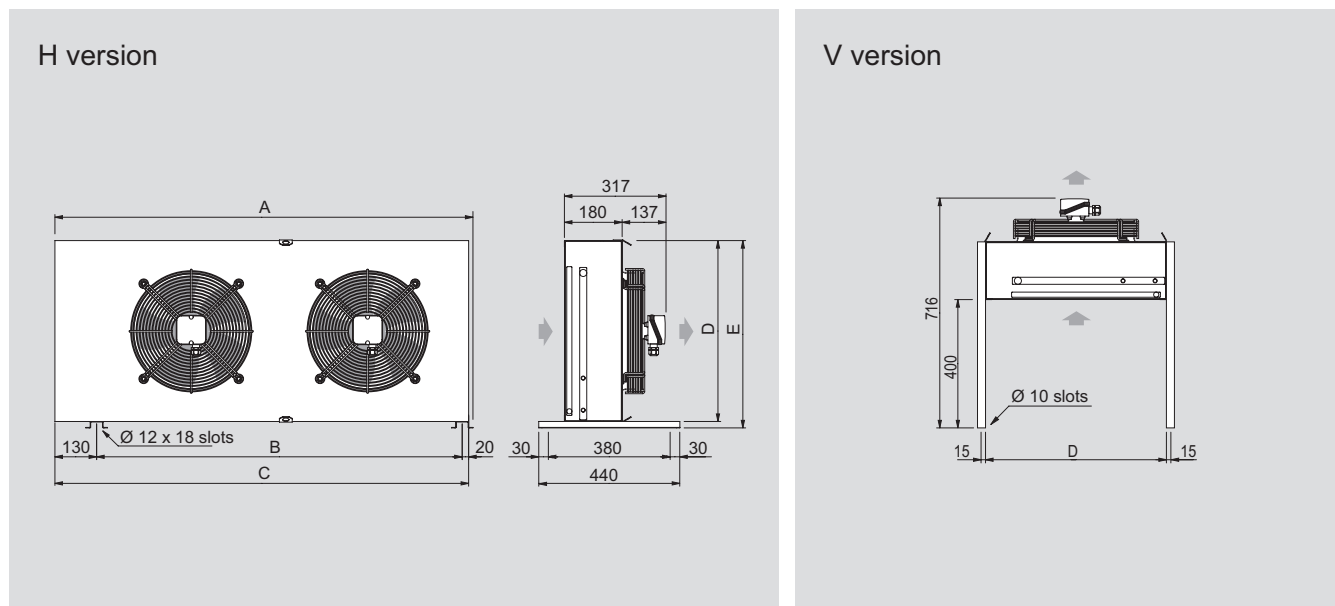


IT ES
EN FR
DE RU

! Before removing the packaging, handling, assembling, positioning, commissioning of the machine and before performing any work on the model, download and carefully read all the information in the manual. If in doubt contact Modine.

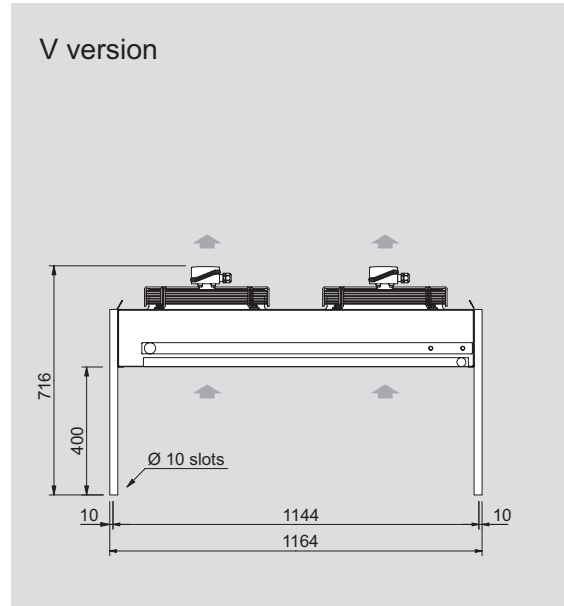
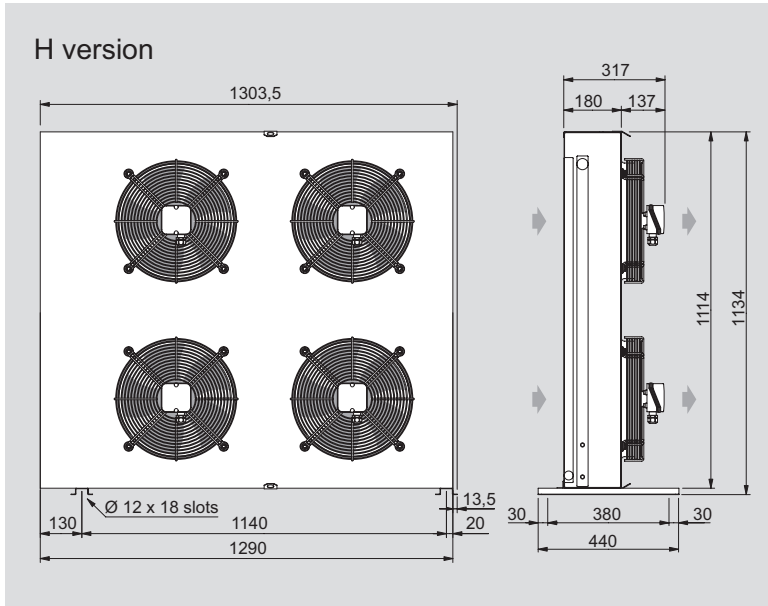
Dimensional features

Model with Ø350 fan; 1 to 3 fans



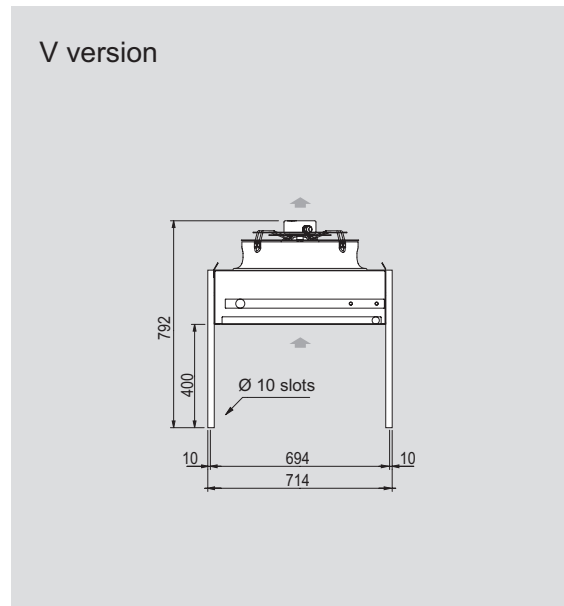
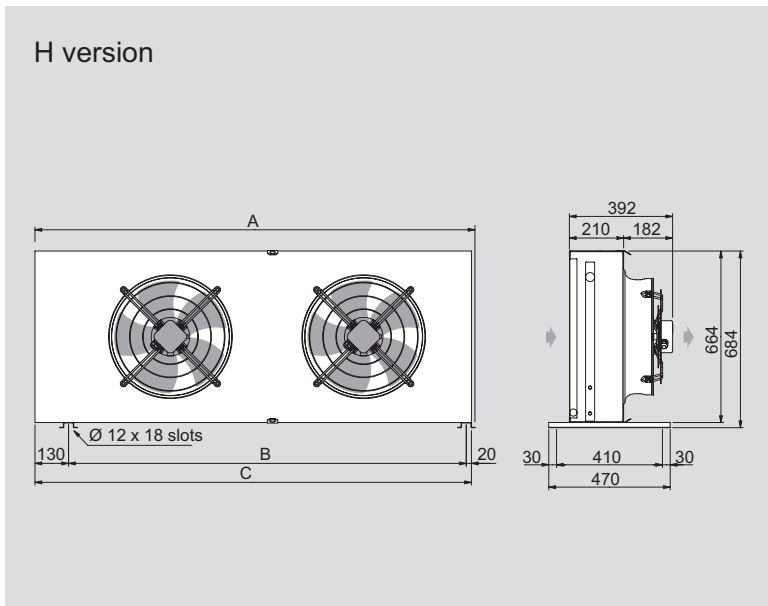
Model	TKE	351A2R	351A3R	351A2	351A3	351A4	352A2	352A3	352A4	353A2	353A3	353A4
		351B2R	351B3R	351B2	351B3	-	352B2	352B3	-	353B2	353B3	-
Motorfans	n° x Ø mm	1x350	1x350	1x350	1x350	1x350	2x350	2x350	2x350	3x350	3x350	3x350
Dimensions	A [mm]	603	603	753	753	753	1303	1303	1303	1853	1853	1853
	B [mm]	440	440	590	590	590	1140	1140	1140	1690	1690	1690
	C [mm]	590	590	740	740	740	1290	1290	1290	1840	1840	1840
	D [mm]	414	414	564	564	564	564	564	564	564	564	564
	E [mm]	434	434	584	584	584	584	584	584	584	584	584
Net weight	kg	14	15	18	20	22	32.5	36	39.5	45	51.5	57

Model with Ø350 fan; 4 fans



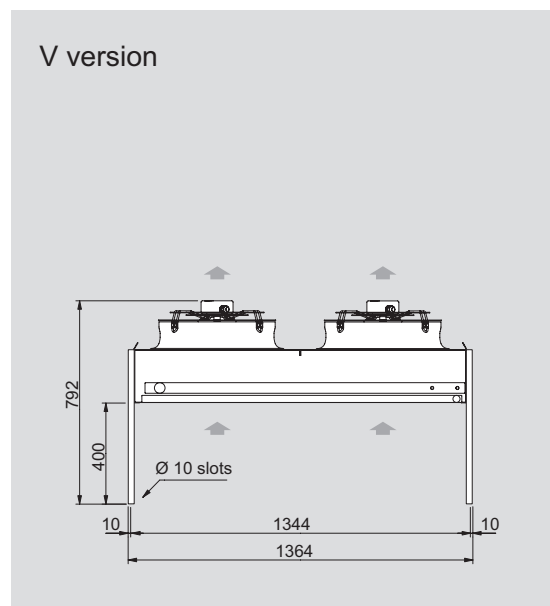
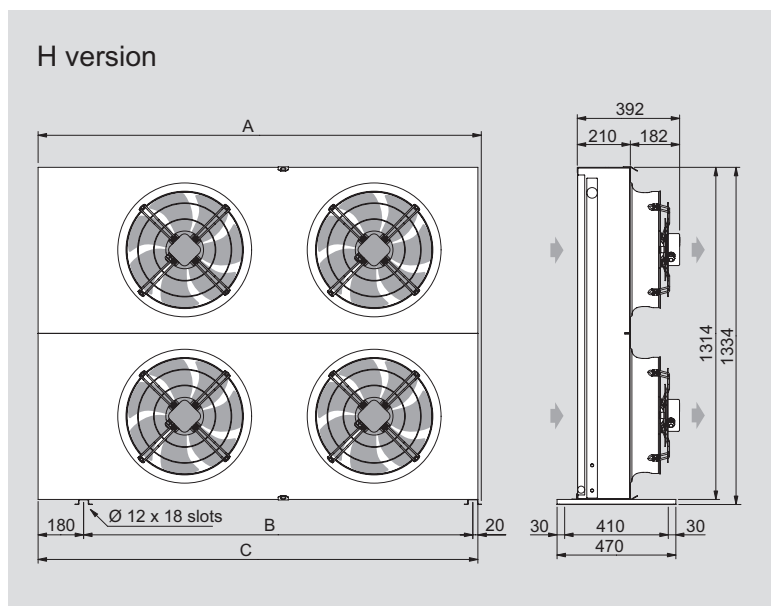
Model	TKE	354A2	354A3	354A4
		354B2	354B3	-
Motorfans	n° x Ø mm	4x350	4x350	4x350
Net weight	kg	60	68	75

Model with Ø450 fan; 1 to 3 fans



Model	TKE	451J2	451J3	451J4	452J2	452J3	452J4	453J2	453J3	453J4
		451M2	451M3	451M4	452M2	452M3	452M4	453M2	453M3	453M4
		451N2	451N3	451N4	452N2	452N3	452N4	453N2	453N3	453N4
Motorfans	n° x Ø mm	1x450	1x450	1x450	2x450	2x450	2x450	3x450	3x450	3x450
Dimensions	A [mm]	953	953	953	1703	1703	1703	2453	2453	2453
	B [mm]	790	790	790	1540	1540	1540	2290	2290	2290
	C [mm]	940	940	940	1690	1690	1690	2440	2440	2440
Net weight	kg	31.5	33.5	36.5	57.5	63	68.5	84	92.5	101

Model with Ø450 fan; 4, 6 fans



Modello	TKE	454J2	454J3	454J4	456J2	456J3	456J4
		454M2	454M3	454M4	456M2	456M3	456M4
		454N2	454N3	454N4	456N2	456N3	456N4
Motorfans	n° x Ø mm	4x450	4x450	4x450	6x450	6x450	6x450
Dimensions	A [mm]	1754	1754	1754	2504	2504	2504
	B [mm]	1540	1540	1540	2290	2290	2290
	C [mm]	1740	1740	1740	2490	2490	2490
Net weight	kg	113	123	133	163	181	198

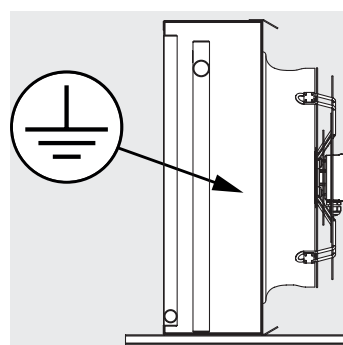
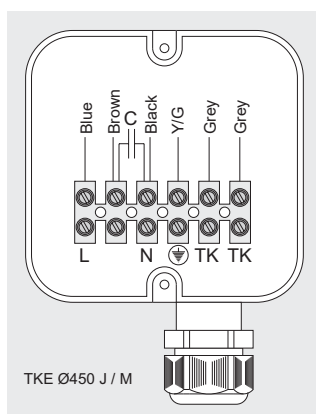
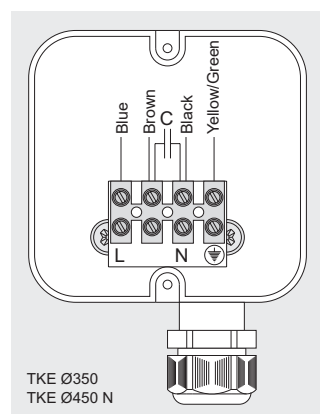
Wiring diagrams

Warning. The motors (TKE Ø350 and Ø450 N) are equipped with internal protective thermal contacts with automatic reset. Before using motor speed control systems, check compatibility with the motors themselves; incompatible systems may cause noise and damage. Modine assumes no responsibility for the performance of models equipped with regulation systems. In fan motors equipped with thermal contacts (TK) in terminal box (TKE Ø450 J, M), these must be connected to the control circuit. In models supplied with wiring in junction box, remove the cover to make the connection.

Thermal contacts (TK) must be connected to the control circuit. Standard models are not pre-wired. Refer to the wiring diagram printed inside the fan motor terminal box. It is mandatory to use power supply cables with a minimum cross-section as specified in Table 1. Refer to the applicable technical standards in the country of installation, considering cable routing method, length, and type.

Upon request, models can be supplied with wiring in a junction box or electrical panel. For further information, refer to the diagrams provided with the model. To minimize the risk of indirect contact, the electrical system can be grounded via the stud located on the front section, collector side.

General wiring diagram of the fan box



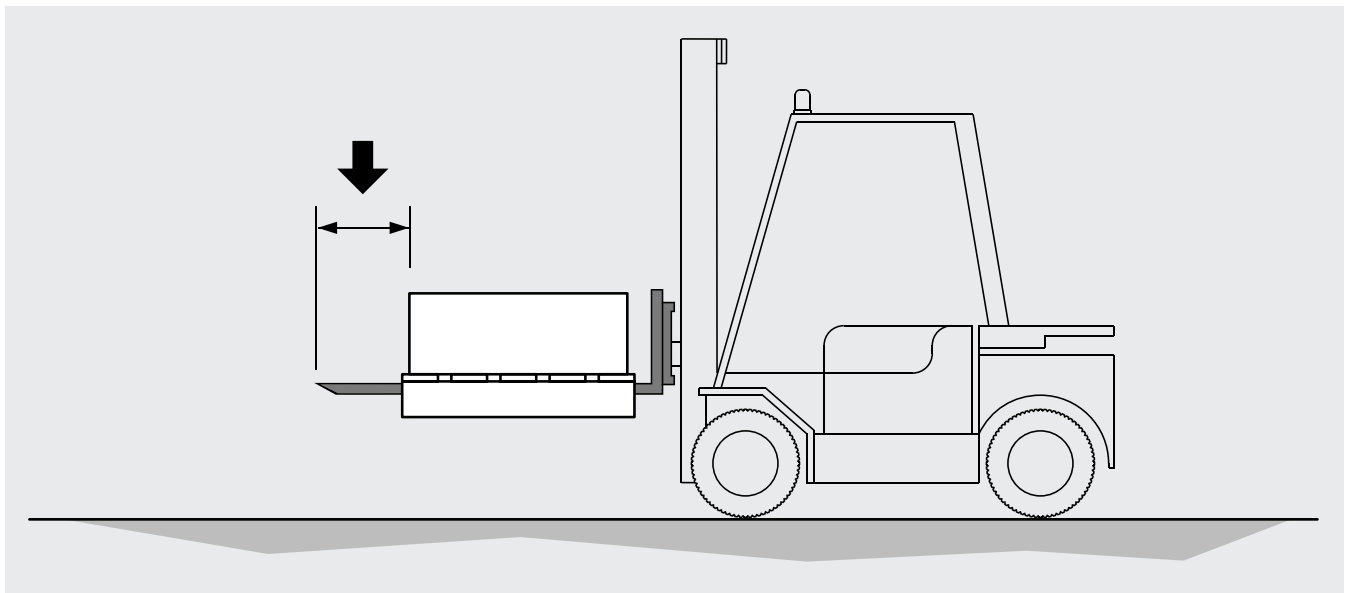
Rated current [A]	Power cable cross-section [mm ²]
11	1.5
15	2.5
20	4
26	6
36	10
48	16
64	25
80	35
95	50
150	95
170	120

Table 1

Schematic provided as an example only

Handling and installation

- 1.1 The packaged model must be moved by qualified personnel using a forklift truck of suitable capacity, or with crane and/or overhead crane. Avoid any abrupt movement and do not stand close to the manoeuvring area. Always ensure that the models are secured to the hoists before handling operations. A heavy impact or a strong thrust can overturn the model.
- 1.2 When handling with a forklift truck, the lifting brackets must be longer than the depth of the packaging and/or of the model.
- 1.3 The model must always be kept in position as indicated on the packaging.
- 1.4 Avoid applying improper pressure to the packaging during handling. Take care not to damage the headers.
- 1.5 Unpack the unit close to the installation site.
- 1.6 Always use PPE (Personal Protection Equipment) during handling and installation, e.g. gloves that are sufficiently resistant to mechanical hazards, to reduce the risk of injury in the event of contact with sharp sheet metal edges or the finned pack.
- 1.7 It is essential to take all the necessary measures to ensure the complete safety of the operators in order to prevent the model from accidentally falling against people. It is forbidden to work under a suspended load. It is advisable to prepare a structure of greater capacity than the weight to be supported (trestle or props) on which to place the model.
- 1.8 When installation is complete, remove the protective film covering the model.
- 1.9 When installation is complete, dispose of packaging according to local regulations.

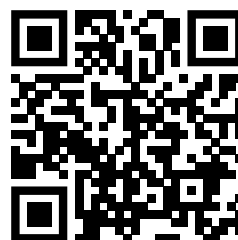


Please refer to the model manual for full handling and installation instructions



Modine CIS Italy S.r.l.
 33050 Pocenia - Udine - Italy
 Via Giulio Locatelli, 22
 Tel. +39 0432.772.001
 Fax +39 0432.779.594
 www.modine.com

Link to user manuals:



<https://www.modinecoolers.com/documents/>