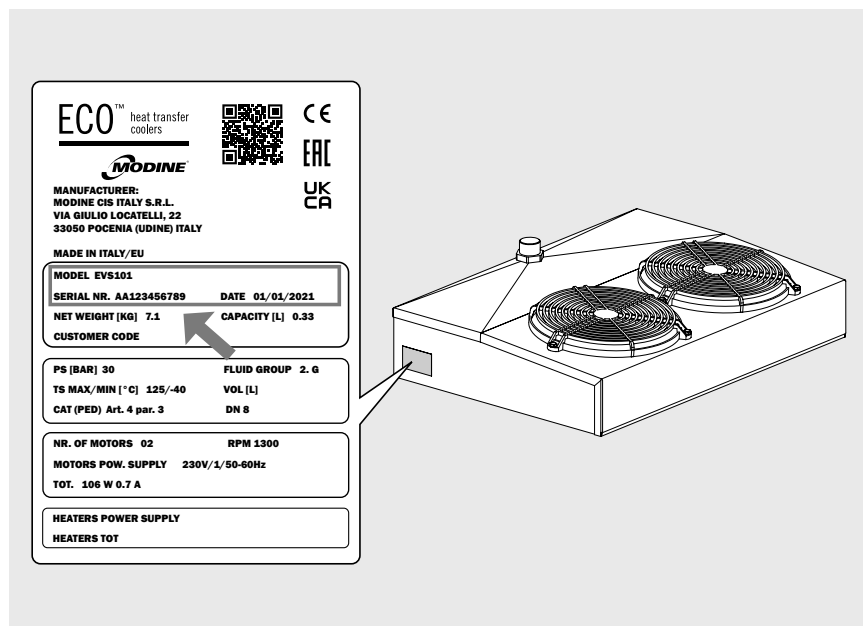


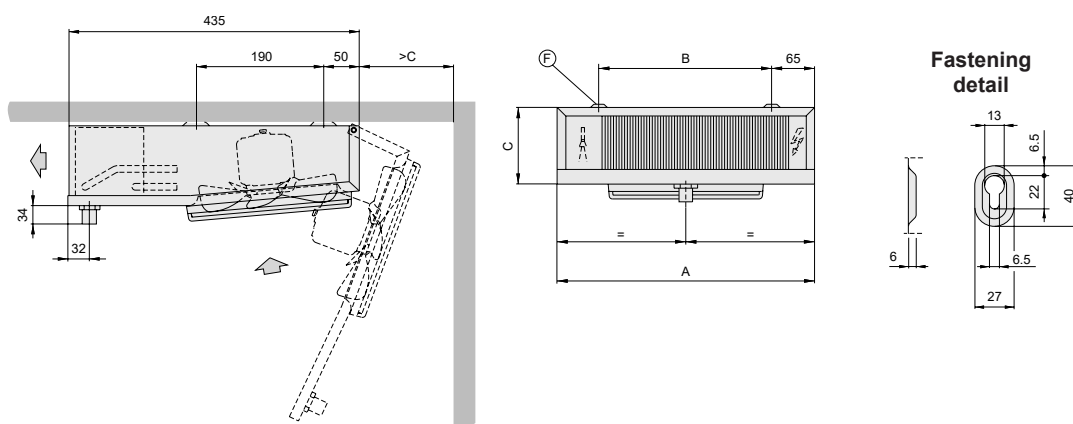
EVS

QUICK GUIDE

This document is a concise version of the model manual. This document is not meant to be a replacement of the manual. To download the full manual please scan the QRcode below or locate the data label on the model and scan the QRcode.



Construction and dimensional features



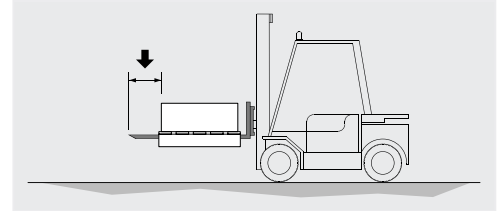
Model	EVS	41	61	101	131	201	271	181	291	391	521
	EVS / B	41 / B	61 / B	101 / B	131 / B	201 / B	271 / B	181 / B	291 / B	391 / B	521 / B
Motorfans	n° x Ø mm	1x200	1x200	2x200	2x200	2x200	2x200	3x200	3x200	3x200	4x200
Dimensions	A [mm]	411	411	611	611	611	611	861	1111	1111	1461
	B [mm]	271	271	471	471	471	471	721	971	971	1321
	C [mm]	120	120	120	120	120	170	170	120	120	170
Coil connections	In [mm]	9.52	9.52	9.52	9.52	1/2 SAE	1/2 SAE	1/2 SAE	1/2 SAE	1/2 SAE	1/2 SAE
	Out [mm]	9.52	9.52	9.52	9.52	16	16	16	16	16	16
Drain connection	Ø (GAS)	1/2	1/2	1/2	1/2	1/2	1/2	1/2	1/2	1/2	1/2
Net weight	kg	4.3	4.9	7.1	7.7	7.7	10.7	13.8	11.1	12.1	23.0

Handling and installation

- 1.1 The models are supplied in a cardboard box and/or wooden cage.
- 1.2 The packaged model must be moved by qualified personnel using a forklift truck of suitable capacity, or with crane and/or overhead crane. The lifting brackets must be longer than the depth of the packaging and/or of the model. Avoid any abrupt movement and do not stand close to the manoeuvring area. Always ensure that the models are secured to the hoists before handling operations. A heavy impact or a strong thrust can overturn the model.
- 1.3 The model must always be kept in position as indicated on the packaging.
- 1.4 Avoid applying improper pressure to the packaging during handling. Take care not to damage the headers.
- 1.5 Unpack the unit close to the installation site.
- 1.6 Always use PPE (Personal Protection Equipment) during handling and installation, e.g. gloves that are sufficiently resistant to

mechanical hazards, to reduce the risk of injury in the event of contact with sharp sheet metal edges or the finned pack.

- 1.7 It is essential to take all the necessary measures to ensure the complete safety of the operators in order to prevent the model from accidentally falling against people. It is forbidden to work under a suspended load. It is advisable to prepare a structure of greater capacity than the weight to be supported (trestle or props) on which to place the model.
- 1.8 When installation is complete, remove the protective film covering the model.
- 1.9 When installation is complete, dispose of packaging according to local regulations.
- 1.10 If brackets are provided, install and maintain them for future use.
- 1.11 Please refer to the manual for further details.

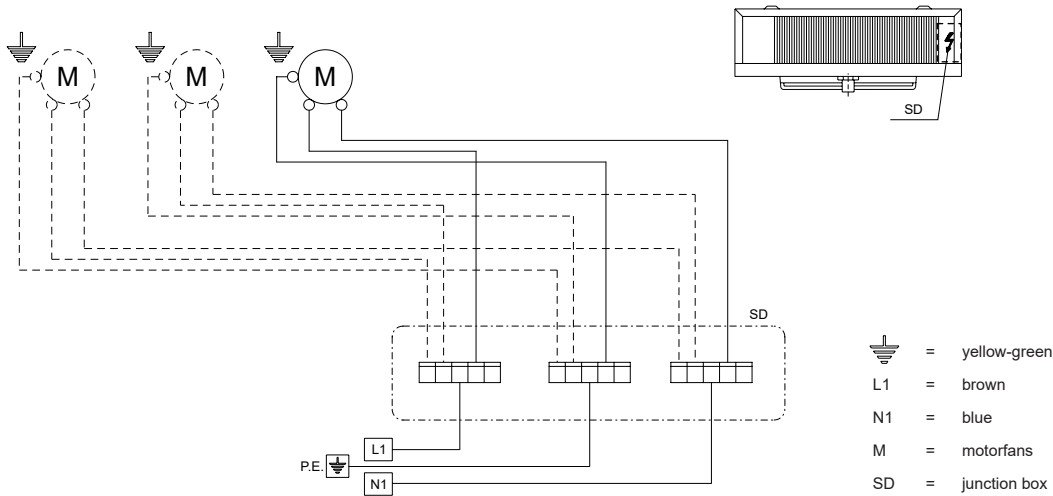


Wiring diagrams

Motor-fan connection diagram (standard on EVS/B models only)

Important. The motors are equipped with inner thermal protection with automatic reconnection. Before using motor speed control systems verify the compatibility with the motors. Non compatible systems may damage motors or increase noise level; Modine will not be responsible for model performance with speed control systems. For fans equipped with thermal contacts (TK), these must be connected to the control circuit. For models supplied with wiring in a junction box, remove the cover to make the connection.

Model	EVS EVS / B	41 41 / B	61 61 / B	101 101 / B	131 131 / B	201 201 / B	271 271 / B	181 181 / B	291 291 / B	391 391 / B	521 521 / B
Motorfans	n° x Ø mm	1x200	1x200	2x200	2x200	2x200	2x200	3x200	3x200	3x200	4x200
Frequency	Hz	50 60	50 60	50 60	50 60	50 60	50 60	50 60	50 60	50 60	50 60
Electrical consumption	A	0.35	0.35	0.7	0.7	0.7	0.7	1.05	1.05	1.05	1.40
	W	53	53	106	106	106	106	159	159	159	212
RPM		1300	1300	1300	1300	1300	1300	1300	1300	1300	1300



Modine CIS Italy S.r.l.
 33050 Pocenia - Udine - Italy
 Via Giulio Locatelli, 22
 Tel. +39 0432.772.001
 Fax +39 0432.779.594
 www.modine.com

Link to user manuals:



<https://www.modinecoolers.com/documents/>