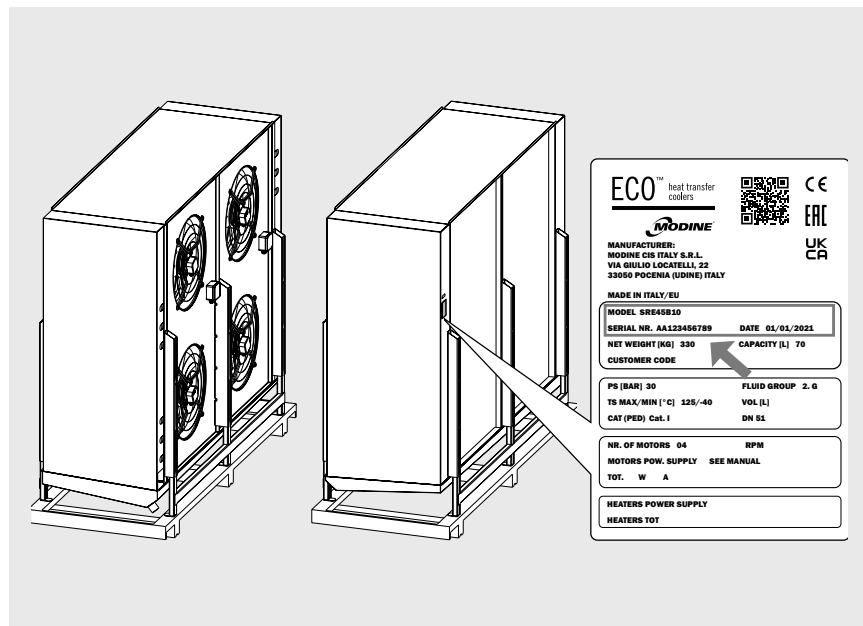


SRE

QUICK GUIDE

This document is a concise version of the model manual. This document is not meant to be a replacement of the manual. To download the full manual please scan the QRcode below or locate the data label on the model and scan the QRcode.



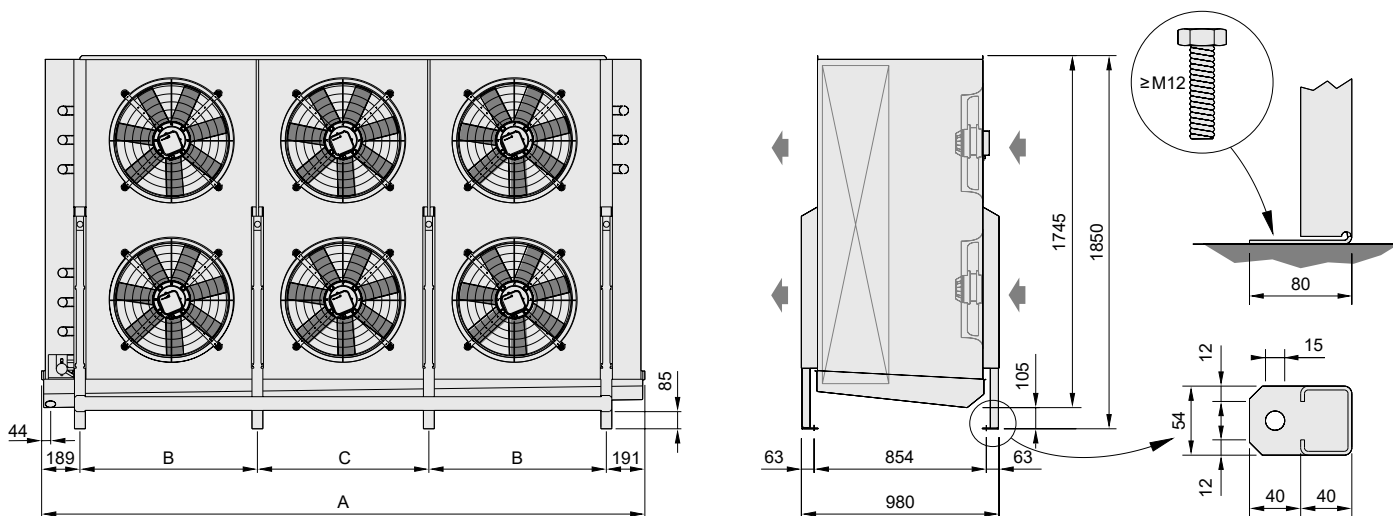
Link to user manuals:

IT ES
 EN FR
 DE RU

! Before removing the packaging, handling, assembling, positioning, commissioning of the machine and before performing any work on the model, download and carefully read all the information in the manual. If in doubt contact Modine.

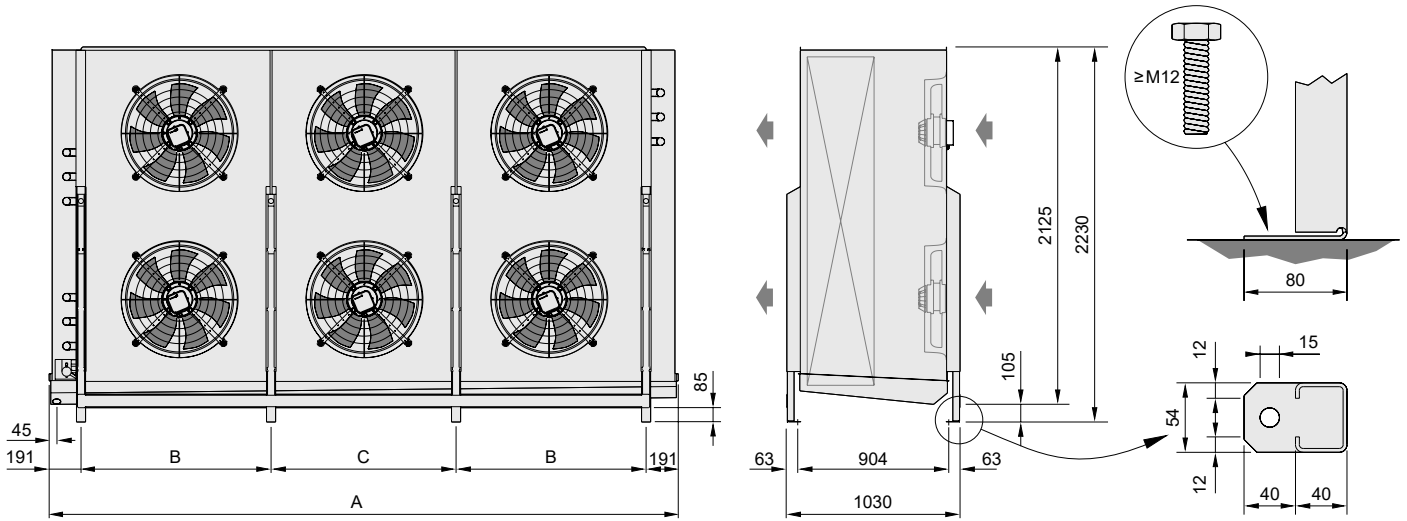
Construction and dimensional features

Ø560 mm fan diameter unit



Model	SRE	25A07	25B07	25D07	45A07	45B07	45D07	65A07	65B07	65D07	85A07	85B07	85D07
		25A10	25B10	25D10	45A10	45B10	45D10	65A10	65B10	65D10	85A10	85B10	85D10
		25A12	25B12	25D12	45A12	45B12	45D12	65A12	65B12	65D12	85A12	85B12	85D12
Dimensions	A	1290			2140			2990			3840		
	B	910			880			880			880		
	C	-			-			850			850		

Ø630 fan diameter unit



Model	SRE	26A07	26B07	26D07	46A07	46B07	46D07	66A07	66B07	66D07
		26A10	26B10	26D10	46A10	46B10	46D10	66A10	66B10	66D10
		26A12	26B12	26D12	46A12	46B12	46D12	66A12	66B12	66D12
Dimensions	A	1540			2640			3740		
	B	1160			1130			1130		
	C	-			-			1100		

Net weights

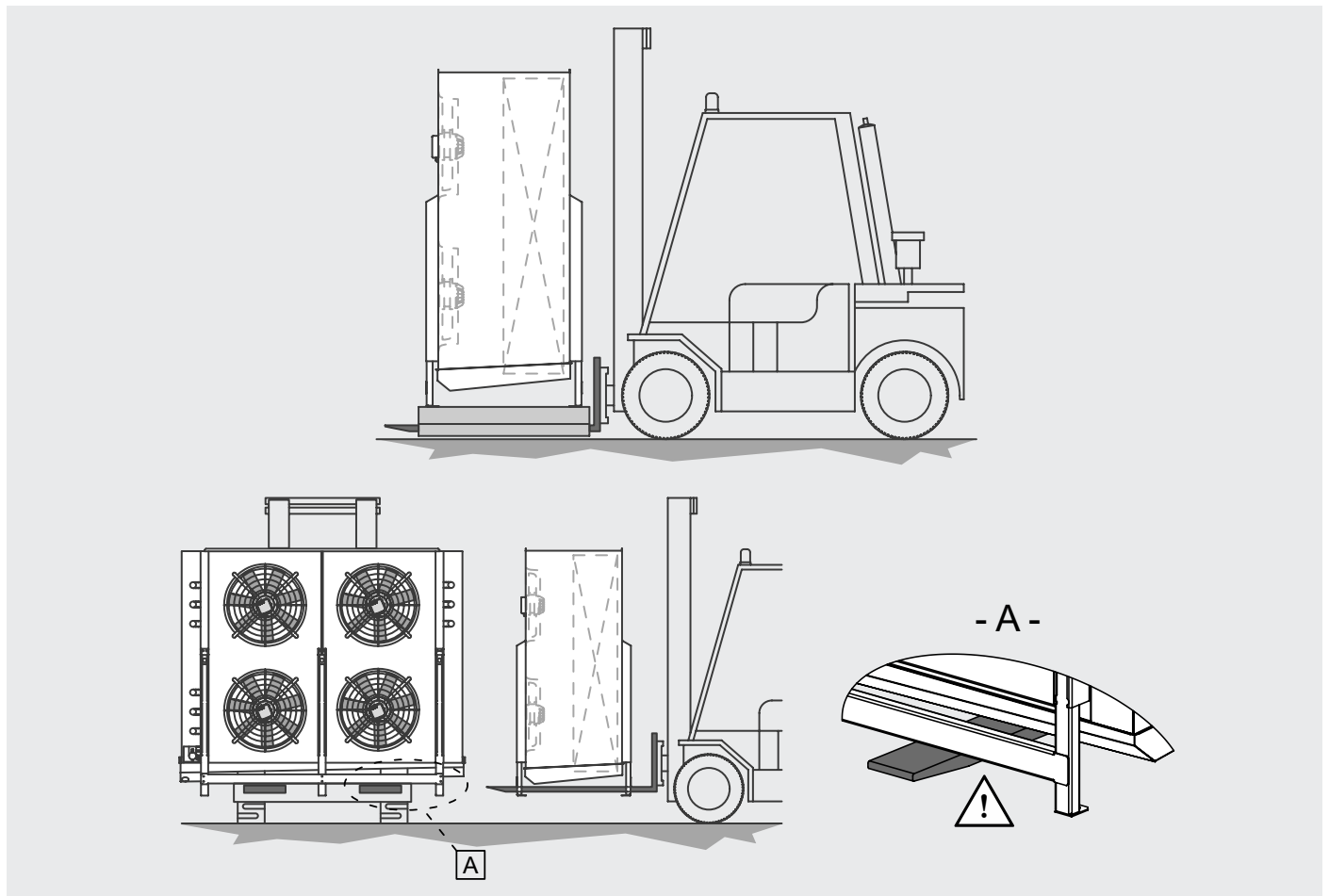
Model - SRE 07	Net weight [kg]
25A07	236
25B07	265
26A07	358
26B07	405
26D07	490
45A07	410
45B07	464
46A07	644
46B07	735
46D07	901
65A07	590
65B07	673
66A07	929
66B07	1063
66D07	1331
85A07	764
85B07	870

Model - SRE 10	Net weight [kg]
25A10	222
25B10	246
25D10	259
26A10	336
26B10	374
26D10	446
45A10	391
45B10	426
45D10	451
46A10	600
46B10	674
46D10	814
65A10	547
65B10	616
65D10	664
66A10	864
66B10	971
66D10	1201
85A10	707
85B10	794
85D10	844

Model - SRE 12	Net weight [kg]
25A12	222
25B12	246
25D12	259
26A12	336
26B12	374
26D12	446
45A12	391
45B12	426
45D12	451
46A12	600
46B12	674
46D12	814
65A12	547
65B12	616
65D12	664
66A12	864
66B12	971
66D12	1201
85A12	707
85B12	794
85D12	844

Handling and installation

- 1.1 The models are supplied in a cardboard box and/or wooden cage.
- 1.2 The packaged model must be moved by qualified personnel using a forklift truck of suitable capacity, or with crane and/or overhead crane. The lifting brackets must be longer than the depth of the packaging and/or of the model. Avoid any abrupt movement and do not stand close to the manoeuvring area. Always ensure that the models are secured to the hoists before handling operations. A heavy impact or a strong thrust can overturn the model. Check the manual for further details.
- 1.3 The model must always be kept in position as indicated on the packaging.
- 1.4 Avoid applying improper pressure to the packaging during handling. Take care not to damage the headers.
- 1.5 Unpack the unit close to the installation site.
- 1.6 Always use PPE (Personal Protection Equipment) during handling and installation, e.g. gloves that are sufficiently resistant to mechanical hazards, to reduce the risk of injury in the event of contact with sharp sheet metal edges or the finned pack.
- 1.7 It is essential to take all the necessary measures to ensure the complete safety of the operators in order to prevent the model from accidentally falling against people. It is forbidden to work under a suspended load. It is advisable to prepare a structure of greater capacity than the weight to be supported (trestle or props) on which to place the model.
- 1.8 When installation is complete, remove the protective film covering the model.
- 1.9 When installation is complete, dispose of packaging according to local regulations.
- 1.10 If brackets are provided, install and maintain them for future use.



Wiring diagrams

Motor-fan connection diagram

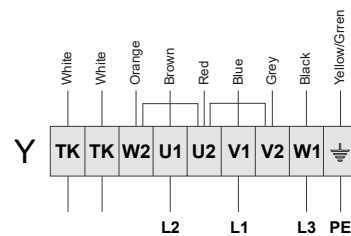
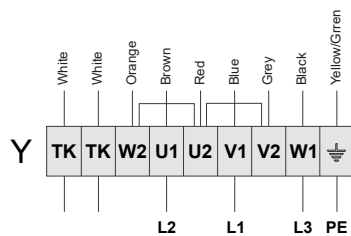
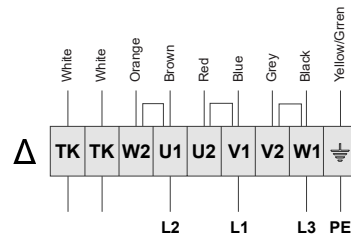
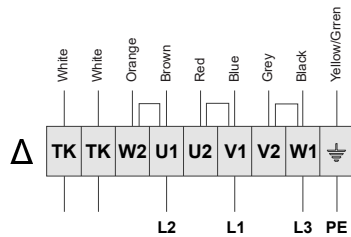
Important. The motors are equipped with inner thermal protection with automatic reconnection. Before using motor speed control systems verify the compatibility with the motors. Non compatible systems may damage motors or increase noise level; Modine will not be responsible for model performance with speed control systems. For fans equipped with thermal contacts (TK), these must be connected to the control circuit. For models supplied with wiring in a junction box, remove the cover to make the connection.

Model	SRE	25		45		65		85	
Motorfans	n° x Ø mm	2x560		4x560		6x560		8x560	
Voltage	V	230	400	230	400	230	400	230	400
Frequency	Hz	50		50		50		50	
Connection		Δ	Y	Δ	Y	Δ	Y	Δ	Y
Electrical consumption	A	7.60	4.40	15.20	8.80	22.80	13.20	30.40	17.60
	W	2500	2500	5000	5000	7500	7500	10000	10000
RPM		1300	1300	1300	1300	1300	1300	1300	1300

Model	SRE	26						46						66							
Motorfans	n° x Ø mm	2x630						4x630						6x630							
Voltage	V	230		400		265		400		265		400		230		400		265		400	
Frequency	Hz	50	60	50	60	60	60	50	60	50	60	60	60	50	60	50	60	60	60	60	
Connection		Δ		Y		Δ		Y		Δ		Y		Δ		Y		Δ		Y	
Electrical consumption	A	12.80	16.6	7.40	9.60	16.00	9.20	25.6	33.2	14.8	19.2	32.00	18.40	38.40	49.8	22.20	28.80	48.00	27.60		
	W	3500	5600	3500	5600	5800		7000	11200	7000	11200	11600		10500	16800	10500	16800	17400			
RPM		1400	1580	1400	1580	1640		1400	1580	1400	1580	1640		1400	1580	1400	1580	1640			

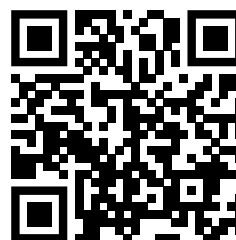
SRE Ø 560
~3 / 230V (Δ) - 400V (Y) / 50Hz

SRE Ø 630
~3 / 230V (Δ) - 400V (Y) / 50-60Hz
~3 / 265V (Δ) - 460V (Y) / 60Hz



Modine CIS Italy S.r.l.
33050 Pocenia - Udine - Italy
Via Giulio Locatelli, 22
Tel. +39 0432.772.001
Fax +39 0432.779.594
www.modine.com

Link to user manuals:



<https://www.modinecoolers.com/documents/>