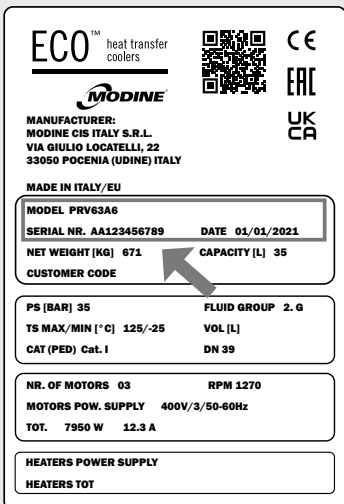


PRV

QUICK GUIDE

This document is a concise version of the model manual. This document is not meant to be a replacement of the manual. To download the full manual please scan the QRcode below or locate the data label on the model and scan the QRcode.



ECO™ heat transfer coolers
MODINE

MANUFACTURER:
MODINE CIS ITALY S.R.L.
VIA GIULIO LOCATELLI, 22
33050 POCCENIA (UDINE) ITALY

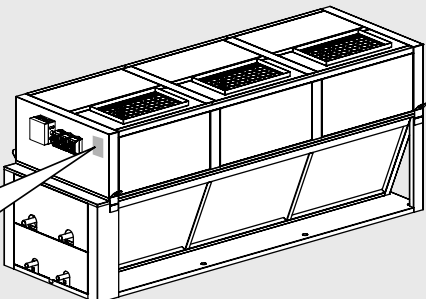
MADE IN ITALY/EU


MODEL PRV63A6
SERIAL NR. AA123456789 DATE 01/01/2021
NET WEIGHT [KG] 671 CAPACITY [L] 35
CUSTOMER CODE

PS [BAR] 35 FLUID GROUP 2.G
TS MAX/MIN [°C] 125/-25 VOL [L]
CAT (PED) Cat. I DN 39


NR. OF MOTORS 03 RPM 1270
MOTORS POW. SUPPLY 400V/3/50-60Hz
TOT. 7950 W 12.3 A

HEATERS POWER SUPPLY
HEATERS TOT





Link to user manuals:



IT


ES

EN

FR

DE

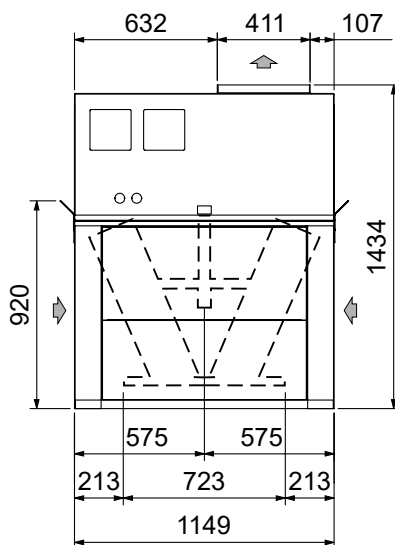
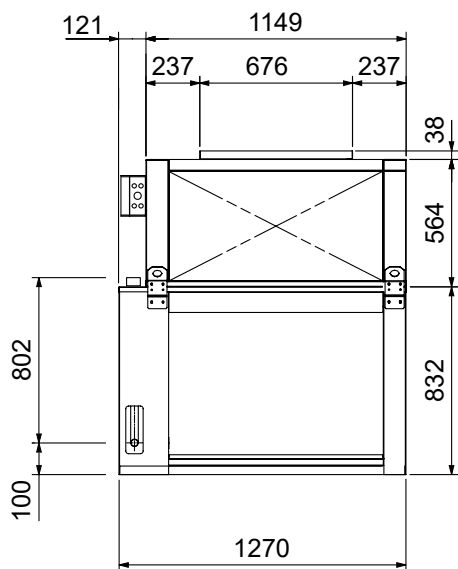
RU



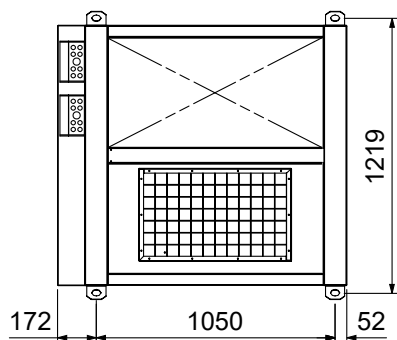
! Before removing the packaging, handling, assembling, positioning, commissioning of the machine and before performing any work on the model, download and carefully read all the information in the manual. If in doubt contact Modine.

Dimensional features

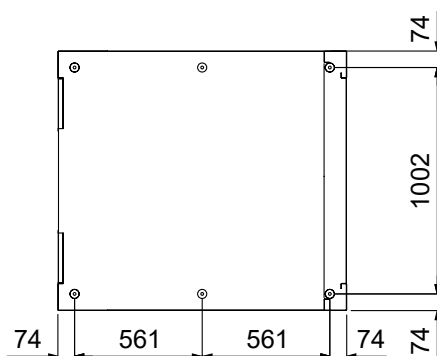
PRV61



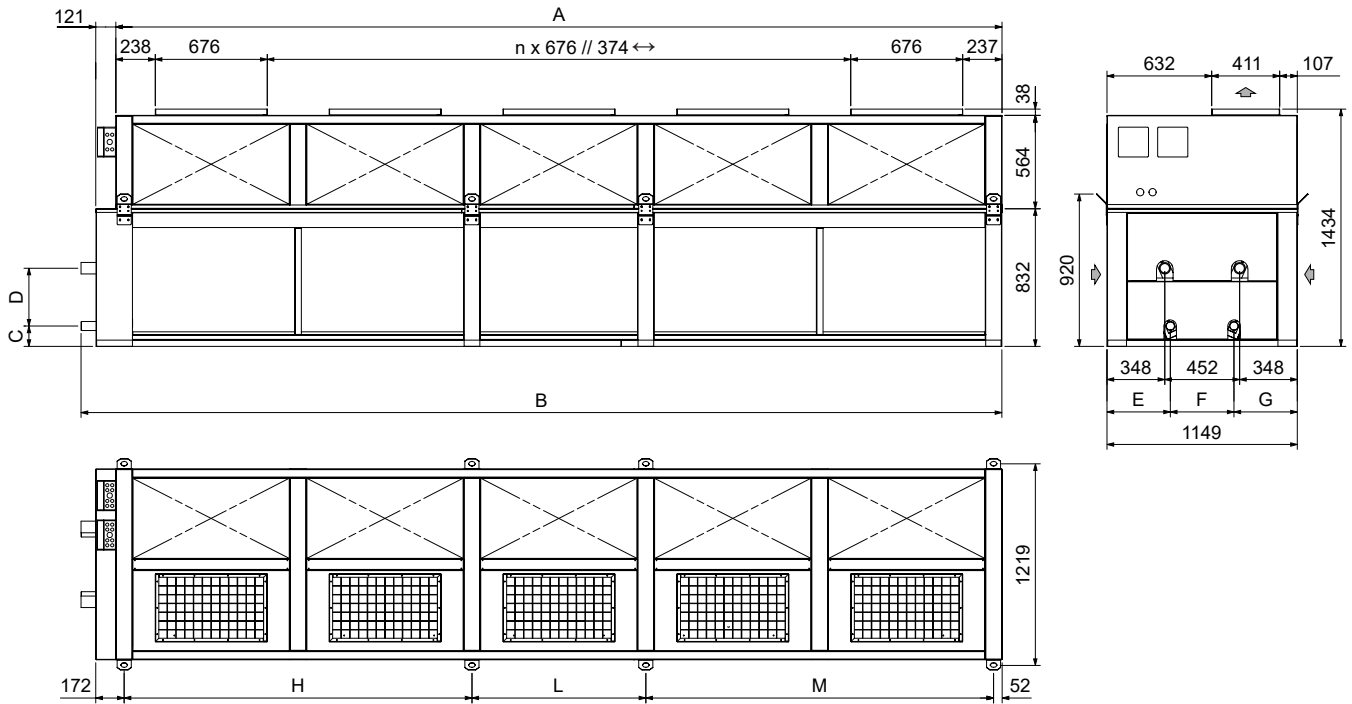
Model	PRV	61
Motorfans	n° x Ø mm	1x630
Coil connections	In [mm]	42
	Out [mm]	28
Net weight	kg	315



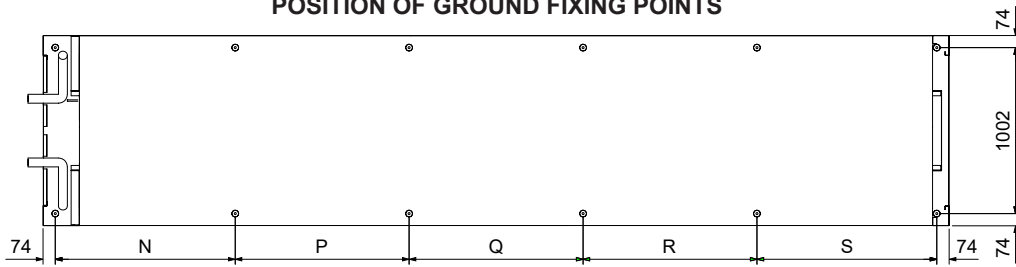
POSITION OF GROUND FIXING POINTS



PRV62 / PRV63 / PRV64 / PRV65



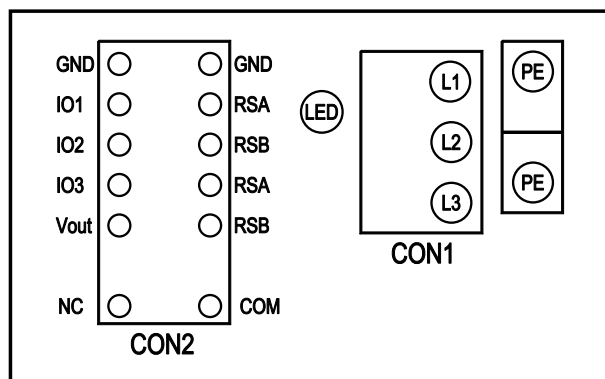
POSITION OF GROUND FIXING POINTS



Model	PRV	62	63	64	65
Motorfans	n° x Ø mm	2x630	3x630	4x630	5x630
Dimensions	A [mm]	2201	3251	4301	5351
	B [mm]	2410	3460	4510	5560
	C [mm]	131	123	123	123
	D [mm]	341	349	349	349
	E [mm]	379	382	382	382
	F [mm]	392	385	385	385
	G [mm]	379	382	382	382
	H [mm]	2100	3150	4200	2100
	L [mm]	-	-	-	1050
	M [mm]	-	-	-	2100
	N [mm]	1086	1086	1086	1086
	P [mm]	-	1050	1050	1050
	Q [mm]	-	-	1050	1050
	R [mm]	-	-	-	1050
S [mm]	1086	1086	1086	1086	
	n	0	1	2	3
Coil connections	In [mm]	42	42	70	70
	Out [mm]	28	35	54	54
Net weight	kg	539	775	1089	1523

Wiring diagrams

General diagram



For other connections refer to the diagram printed on the inside of the motor-fan box.

For further information refer to the diagrams supplied with the model.

On request, models can be supplied with wiring in a junction box.

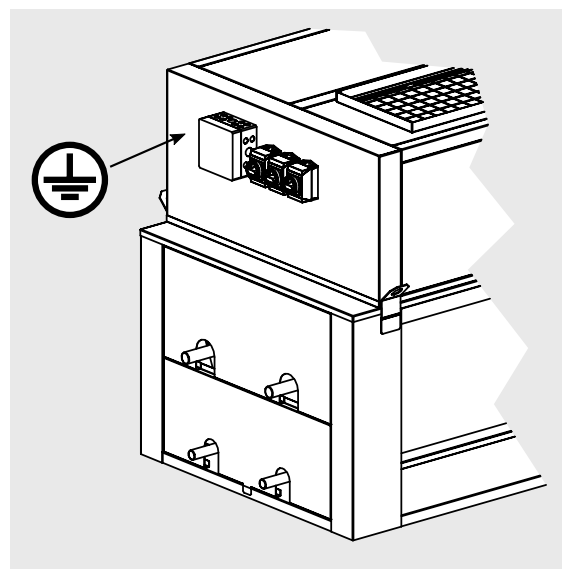
Connection	Designation	Function
CON1	L1,L2,L3	Power supply
PE	PE	Protective earth
CON2	RSA	RS485 interface for MODBUS, RSA; SELV
CON2	RSB	RS485 interface for MODBUS, RSB; SELV
CON2	GND	Reference ground for control interface, SELV
CON2	IO1	Function parameterizable - see fan manual
CON2	IO2	Function parameterizable - see fan manual Factory setting: analog input 0-10 V / PWM, Ri=100 kΩ, function: Set value
CON2	IO3	Function parameterizable - see fan manual
CON2	Vout	Voltage output 3.3-24 VDC ±5%, Pmax=800 mW, voltage parameterizable Factory setting: 10 VDC short-circuit-proof, supply for external devices, SELV alternatively: 15-50 VDC input for parameterization via MODBUS without line voltage
CON2	COM	Status relay, floating status contact, common connection, contact rating 250 VAC / 2 A (AC1) / min. 10 mA,
CON2	NC	Status relay, floating status contact, break for failure
	LED	Green: ready for operation Yellow: warning Red: failure

It is mandatory to use power cables with a minimum cross-section as indicated in Table 1. Please refer to the technical standards in force in the country of installation, based also on the way the cables are laid and their length and type.

To minimise the risk of indirect contact, the electrical system can be earthed using the pin on the front cover.

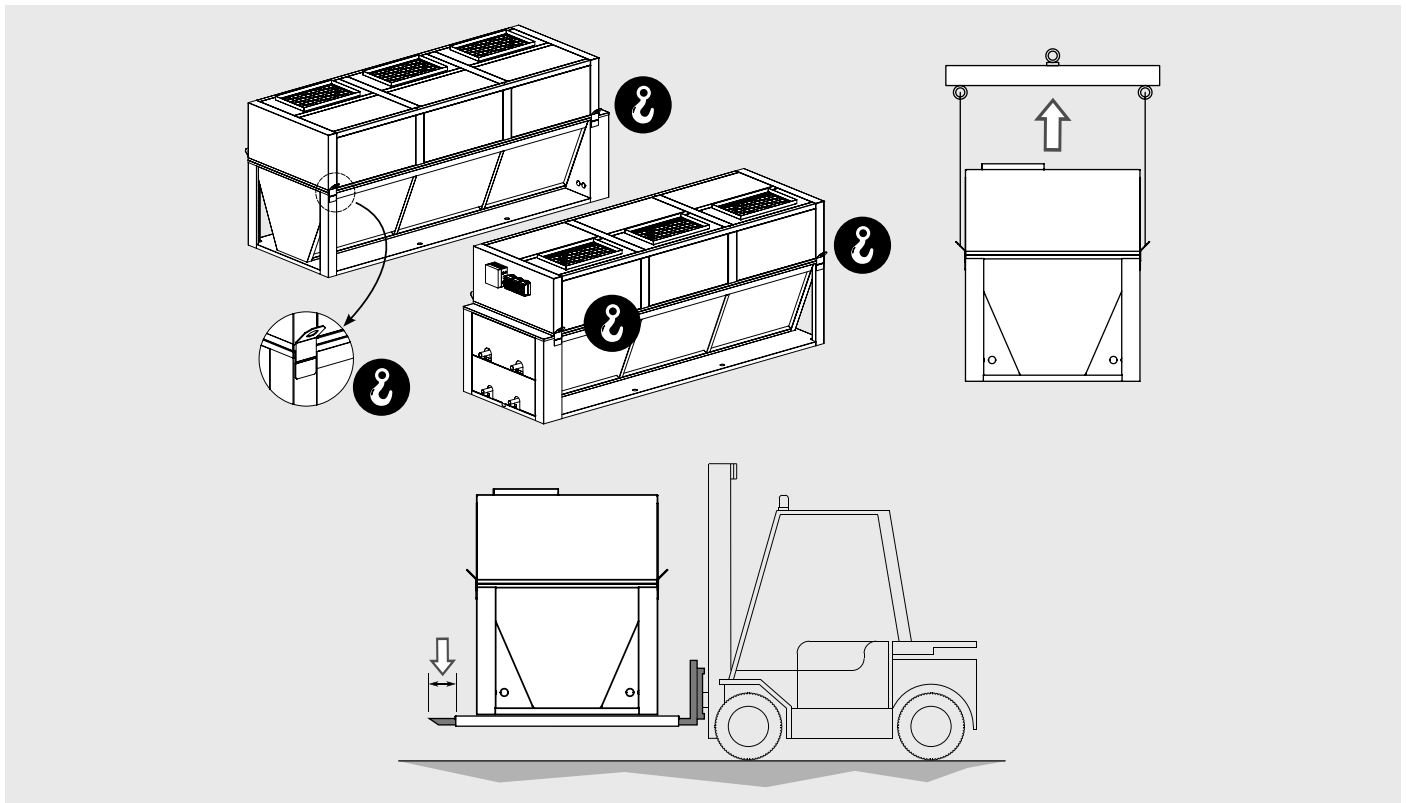
Nominal current [A]	Power cable cross-section [mm²]
11	1.5
15	2.5
20	4
26	6
36	10
48	16
64	25
80	35
95	50
150	95
170	120

Table 1



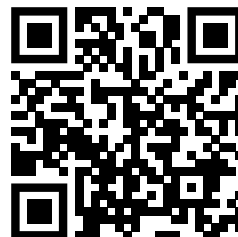
Handling and installation

- 1.1 The packed model must be moved by qualified personnel using a forklift truck of adequate capacity, or by crane and/or overhead travelling crane. Avoid any sudden movement and do not stand near the manoeuvring area. Always secure models to the lifting gear before handling. A large bump or strong push can cause the model to overturn.
- 1.2 For handling with a forklift truck, the lifting brackets must be longer than the depth of the packaging and/or model.
- 1.3 The model must always be kept in position as indicated on the packaging.
- 1.4 Avoid applying improper pressure to the packaging during handling. Take care not to damage the headers.
- 1.5 Unpack the unit close to the installation site.
- 1.6 Always use PPE (Personal Protection Equipment) during handling and installation, e.g. gloves that are sufficiently resistant to mechanical hazards, to reduce the risk of injury in the event of contact with sharp sheet metal edges or the finned pack.
- 1.7 It is essential to take all the necessary measures to ensure the complete safety of the operators in order to prevent the model from accidentally falling against people. It is forbidden to work under a suspended load. It is advisable to prepare a structure of greater capacity than the weight to be supported (trestle or props) on which to place the model.
- 1.8 When installation is complete, remove the protective film covering the model.
- 1.9 When installation is complete, dispose of packaging according to local regulations.
- 1.10 If brackets are provided, install and maintain them for future use.



Modine CIS Italy S.r.l.
 33050 Pocenia - Udine - Italy
 Via Giulio Locatelli, 22
 Tel. +39 0432.772.001
 Fax +39 0432.779.594
 www.modine.com

Link to user manuals:



<https://www.modinecoolers.com/documents/>