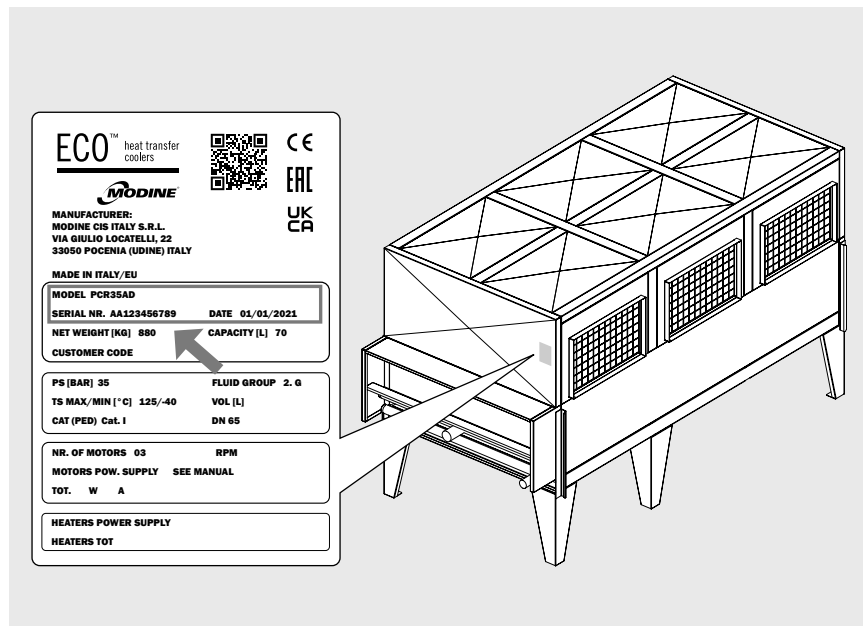


# PCR

# QUICK GUIDE

This document is a concise version of the model manual. This document is not meant to be a replacement of the manual. To download the full manual please scan the QRcode below or locate the data label on the model and scan the QRcode.



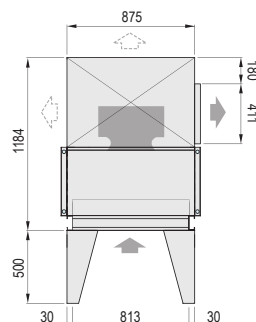
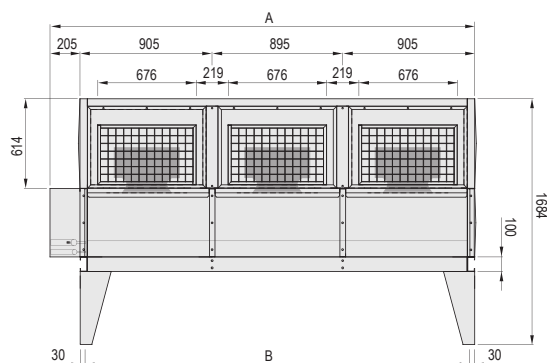
Link to user manuals:

IT ES  
EN FR  
DE RU

**!** Before removing the packaging, handling, assembling, positioning, commissioning of the machine and before performing any work on the model, download and carefully read all the information in the manual. If in doubt contact Modine.

## Construction and dimensional features

### Model with fan Ø400 mm



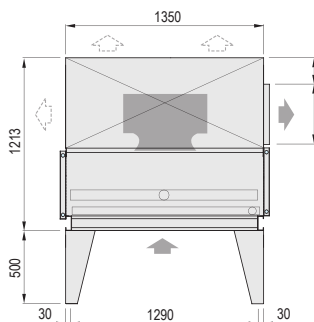
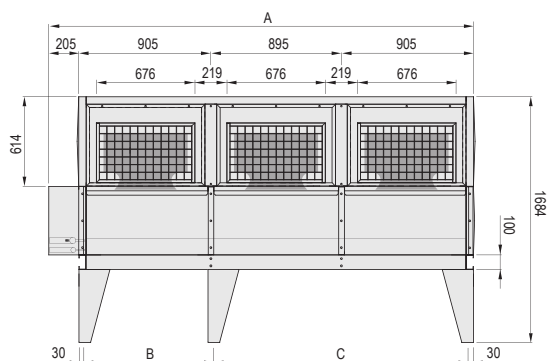
Model	PCR	14AD	24AD	34AD
Motorfans	No. x Ø mm	1x400	2x400	3x400
Dimensions	A	1120	2015	2910
	B	855	1750	2645
Coil connections <sup>1</sup>	In (mm)	42	42	42
	Out (mm)	35	35	35
Net weight <sup>2</sup>	kg	190	390	600

Note 1:  
values refer to condensers only.  
For gas cooler connections, refer to the order and/or documentation supplied with the model.

Note 2:  
Weight refers to condensers and gas coolers.

To change the air outlet point, move the side panels

### Model with fan Ø500 mm, 2 - 3 motorfans



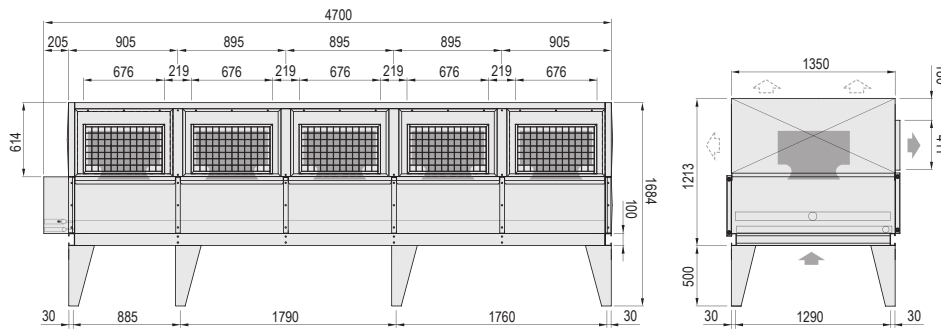
Model	PCR	25AD	35AD	35AS
Motorfans	No. x Ø mm	2x500	3x500	3x500
Dimensions	A	2015	2910	2910
	B	1750	885	885
	C	-	1760	1760
Coil connections <sup>1</sup>	In (mm)	70	70	70
	Out (mm)	54	54	54
Net weight <sup>2</sup>	kg	420	635	635

Note 1:  
values refer to condensers only.  
For gas cooler connections, refer to the order and/or documentation supplied with the model.

Note 2:  
Weight refers to condensers and gas coolers.

To change the air outlet point, move the side panels

**Model with fan Ø500 - Ø630 mm, 4 motorfans**



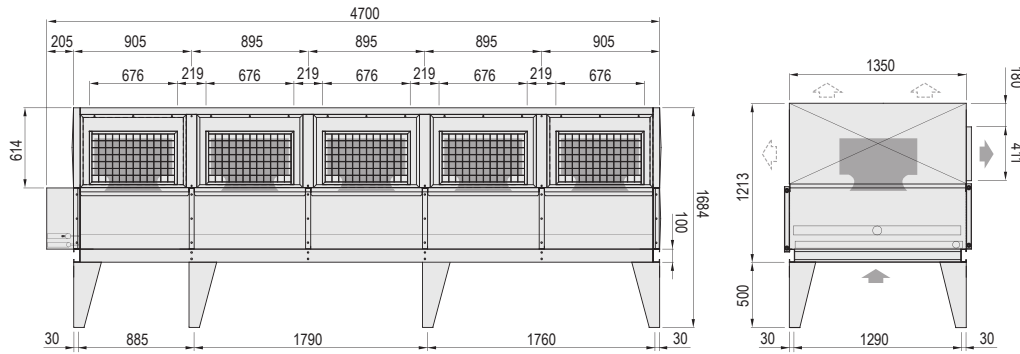
Model	PCR	45AD	46AD
Motorfans	No. x Ø mm	4x500	4x630
Coil connections <sup>1</sup>	In (mm)	70	70
	Out (mm)	54	54
Net weight <sup>2</sup>	kg	880	900

Note 1:  
values refer to condensers only.  
For gas cooler connections, refer to the order and/or documentation supplied with the model.

Note 2:  
Weight refers to condensers and gas coolers.

To change the air outlet point, move the side panels

**Model with fan Ø500 - Ø630 mm, 5 motorfans**



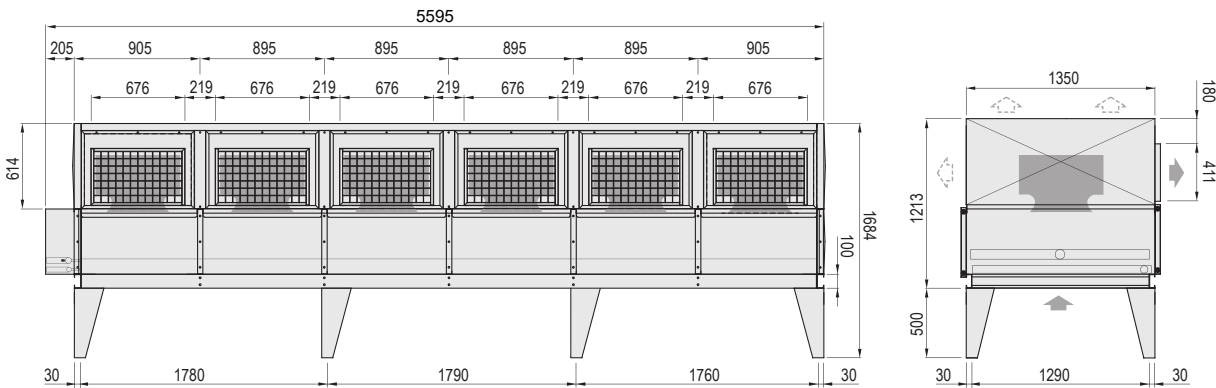
Modello	PCR	55AD	56AD
Motorfans	No. x Ø mm	5x500	5x630
Coil connections <sup>1</sup>	In (mm)	70	70
	Out (mm)	54	54
Net weight <sup>2</sup>	kg	1175	1200

Note 1:  
values refer to condensers only.  
For gas cooler connections, refer to the order and/or documentation supplied with the model.

Note 2:  
Weight refers to condensers and gas coolers.

To change the air outlet point, move the side panels

**Model with fan Ø630 mm, 6 motorfans**



Model	PCR	66AD
Motorfans	No. x Ø mm	6x630
Coil connections <sup>1</sup>	No. x In (mm)	2x70
	No. x Out (mm)	2x54
Net weight <sup>2</sup>	kg	1500

Note 1:  
values refer to condensers only.  
For gas cooler connections, refer to the order and/or documentation supplied with the model.

Note 2:  
Weight refers to condensers and gas coolers.

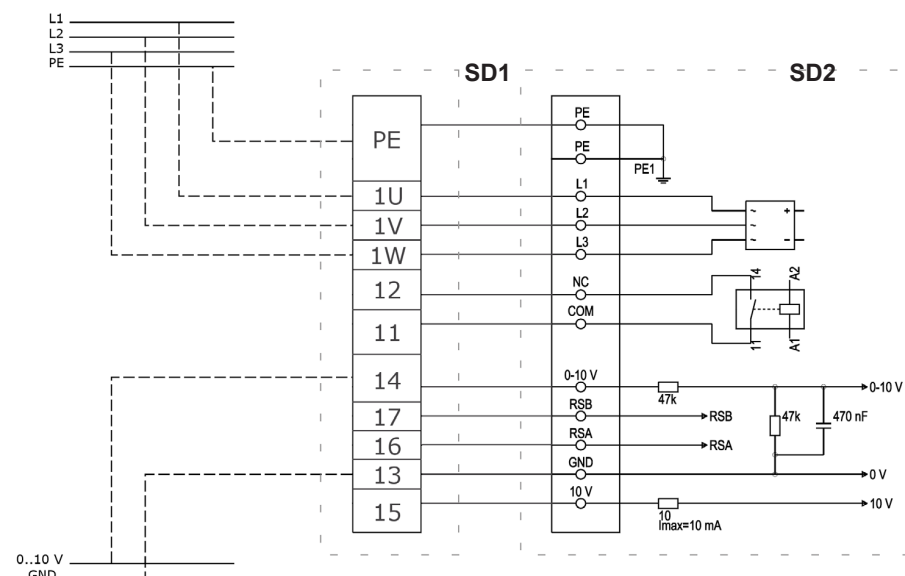
To change the air outlet point, move the side panels

## Wiring diagrams

### Motorfan connection diagram

**Attention.** The motors are equipped with self-resetting internal protective thermocontacts. Before using motor speed regulation systems, check for compatibility with the motors themselves; non-compatible systems can cause noise and damage; Modine disclaims all liability for the performance of models equipped with regulation systems. In motorfans equipped with thermocontacts (TK), they must be connected to the control circuit. In the models supplied with the wiring in the junction box, remove the cover to make the connection.

For detailed information, see the wiring diagram and any other documentation supplied with the machine. See the following diagram for illustrative purposes only.



Designation on motorfan	Function
PE	Protective earth
L1, L2, L3	Power supply, phase, 50 Hz
NC	Status relay, floating status contact, break for failure, contact rating 250 VAC / 2 A (AC1) / min. 10 mA; reinforced insulation on supply side and basic insulation on control interface side
COM	Status relay, floating status contact, break for failure, contact rating 250 VAC / 2 A (AC1) / min. 10 mA; reinforced insulation on supply side and basic insulation on control interface side
0-10V	Analog input (set value), 0-10 V, $R_i = 100 \text{ k}\Omega$ , adjustable curve, SELV
RSB	RS485 interface for MODBUS, RSB; SELV
RSA	RS485 interface for MODBUS, RSA; SELV
GND	Reference ground for control interface, SELV
+10V	Fixed voltage output 10 VDC, $+10 \text{ V} \pm 3\%$ , max. 10 mA, short-circuit-proof power supply for external devices (e.g. pot), SELV fixed voltage input 24 VDC for setting parameters via MODBUS without line voltage supply

Technical features of the motorfans used.

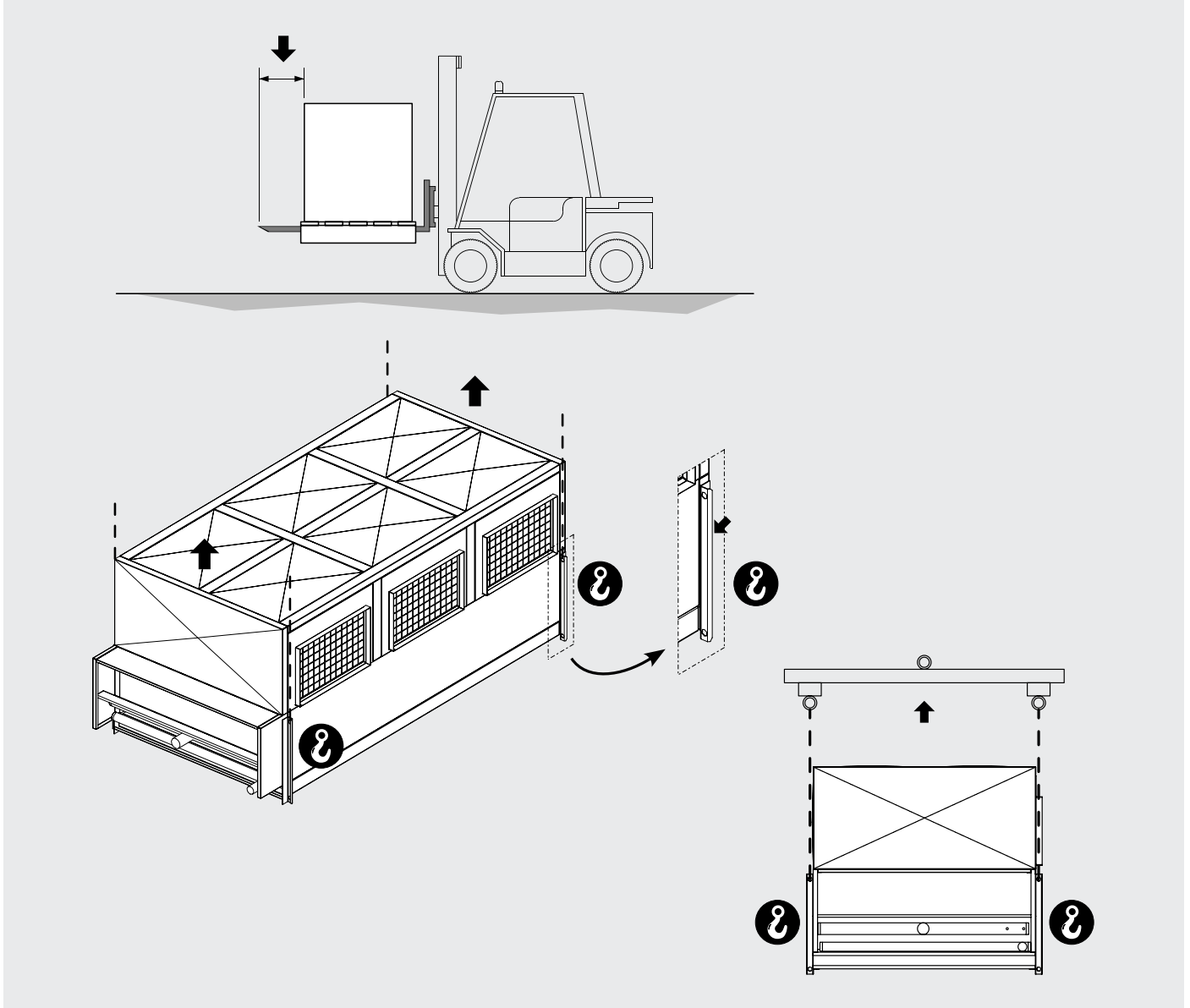
380...480V, 3~, 50-60Hz - Nameplate data:

Diameter [mm]	Ø400	Ø500	Ø630
Power [W]	1320	2600	2650
Current [A]	2.1	4.0	4.1
rpm	2060	1700	1270

## Handling and installation

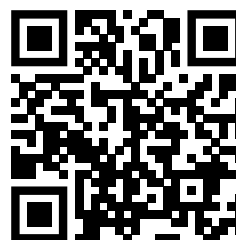
- 1.1 The models are delivered on wooden pallets.
- 1.2 The packaged model must be handled by qualified personnel using a forklift with suitable capacity, or a crane and/or bridge crane. The lifting forks must be longer than the depth of the packaging and/or of the model. Avoid any abrupt movement and do not stand close to the manoeuvring area. Always ensure that the models are secured to the hoists before handling operations. A heavy impact or a strong thrust can overturn the model.
- 1.3 The models must always be kept in the position indicated on the packaging.
- 1.4 During handling, do not apply excessive pressure on the packaging. Ensure the headers are not damaged.
- 1.5 Unpack the unit near the installation site.
- 1.6 During handling and installation, always use PPE (Personal Protective Equipment), e.g. gloves sufficiently resistant to mechanical risks, to reduce the risk of injury in case of contact with the sharp edges of the sheets or with the finned pack.

- 1.7 All necessary measures must be taken to ensure total operator safety and to prevent the model from accidentally falling onto people. Do not operate under suspended loads.
- 1.8 When installation is complete, remove the protective film that covers the model.
- 1.9 At the end of installation, dispose of the packaging in accordance with the local regulations.
- 1.10 If the model is supplied with its own specific support brackets, install and keep them installed for future handling.
- 1.11 Please refer to the model manual for further instructions.



Modine CIS Italy S.r.l.  
33050 Pocenia - Udine - Italy  
Via Giulio Locatelli, 22  
Tel. +39 0432.772.001  
Fax +39 0432.779.594  
www.modine.com

Link to user manuals:



<https://www.modinecoolers.com/documents/>