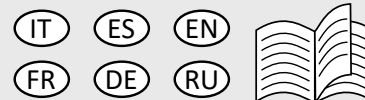


LCE

QUICK GUIDE

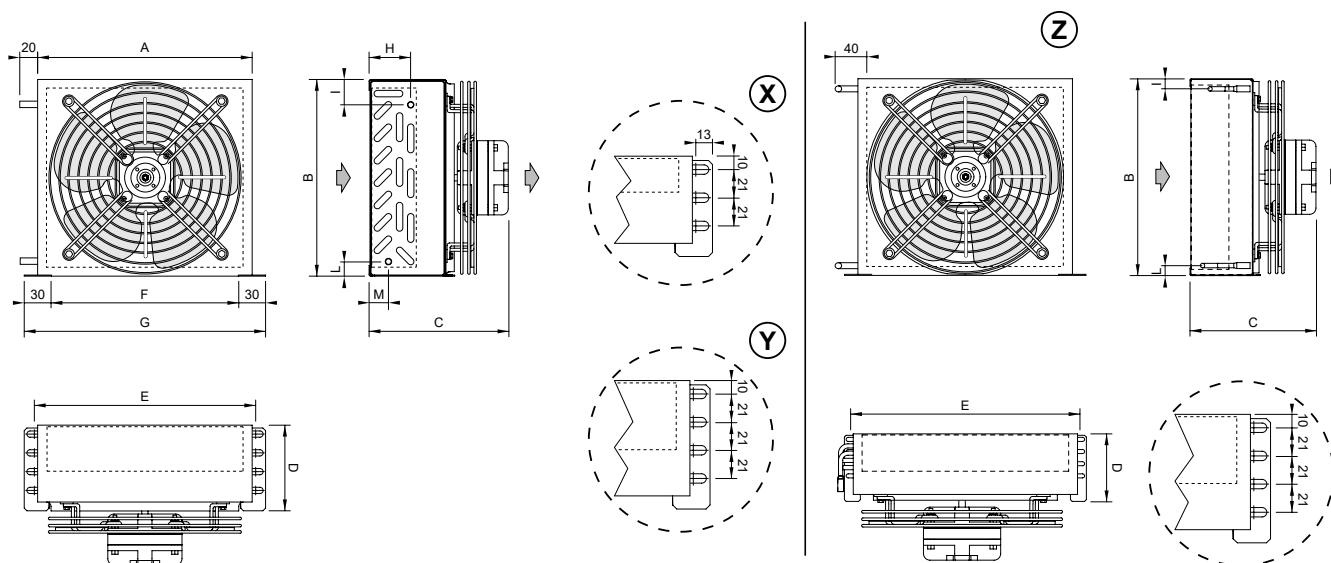
This document is a concise version of the model manual. This document is not meant to be a replacement of the manual. To download the full manual please scan the QRcode below or locate the data label on the model and scan the QRcode.

Scan the QR-code to download the manual



! Before removing the packaging, handling, assembling, positioning, commissioning of the machine and before performing any work on the model, download and carefully read all the information in the manual. If in doubt contact Modine.

Dimensional features



Model	LCE	036	045	057	048	063	077	066	087	107	089	117	140	168	179	213	234
Motorfans	n° x Ø mm	1x172	1x172	1x172	1x200	1x200	1x200	1x230	1x230	1x230	1x254	1x254	1x254	1x254	1x300	1x300	1x300
		X	Y	Y	X	Y	Y	X	Y	Y	X	Y	Y	Y	Y	Y	Z
Dimensions [mm]	A	210	210	210	240	240	240	270	270	270	300	300	300	360	380	380	380
	B	192	192	192	220	220	220	255	255	255	280	280	280	305	320	320	320
	C	138	164	164	139	165	165	140	164	164	140	166	166	166	199	199	213
	D	78	103	103	78	103	103	77	102	102	77	102	102	102	103	103	116
	E	214	214	214	244	244	244	274	274	274	304	304	304	364	384	384	384
	F	180	180	180	210	210	210	240	240	240	270	270	270	330	350	350	350
	G	240	240	240	270	270	270	300	300	300	330	330	330	390	410	410	410
	H	9	34	46	9	34	46	9	34	46	9	34	46	46	34	46	-
	I	15	15	28	16	16	29	9	9	22	9	9	22	22	16	29	16
	L	15	27	15	16	29	16	8	21	8	8	21	8	8	29	16	16
M	21	9	21	21	9	21	21	9	21	21	9	21	9	21	9	22	-
Coil connections	In [mm]	7	7	7	7	7	7	7	7	7	7	7	7	7	7	7	8
	Out [mm]	7	7	7	7	7	7	7	7	7	7	7	7	7	7	7	8
Net weight	kg	2.4	2.7	2.8	2.7	3.1	3.3	2.7	3.2	3.4	3.8	4.3	4.5	5.2	6.4	6.7	7.3

Electrical data

Important. The motors are equipped with inner thermal protection with automatic reconnection. Before using motor speed control systems verify the compatibility with the motors. Non compatible systems may damage motors or increase noise level; Modine will not be responsible for model performance with speed control systems. For fans equipped with thermal contacts (TK), these must be connected to the control circuit. For models supplied with wiring in a junction box, remove the cover to make the connection.

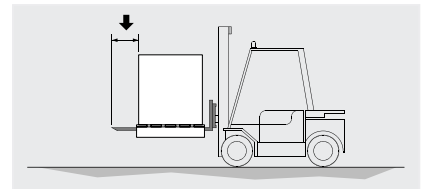
Model	LCE	036		048		066		089		179	
		045	057	063	077	087	107	117	140	168	213
		-	-	-	-	-	-	-	-	-	-
Motorfans	n° x Ø mm	1x172		1x200		1x230		1x254		1x300	
Frequency	Hz	50	60	50	60	50	60	50	60	50	60
Electrical consumption	A	0.23	0.23	0.23	0.23	0.23	0.23	0.31	0.31	0.47	0.47
	W	38	38	38	38	38	38	46	46	75	75
RPM		1300	1550	1300	1550	1300	1550	1300	1550	1300	1300

Inspection - Storage

- 1.1 Upon receipt of the model immediately check its state of integrity; immediately dispute with the transport company any damage. The packaging is created according to the model, to the suitable means of transport and of handling.
- 1.2 The model must be stored in its original packaging in a place that is protected and away from weathering.
- 1.3 Do not place any other material on top of the packaging.
- 1.4 If a motor fan is switched OFF for a long period of time, it must be switched ON for at least 2 hours every month to remove any traces of condensation that may have formed inside the motor.
- 1.5 The following rules apply when the unit must remain in storage for long periods of time. The unit must be stored indoors and positioned according to the instructions on the package. During storage, the fans must be manually rotated at least once every 3 months.

Handling and installation

- 1.1 If the package contains more than one model, it must be moved by qualified personnel using a forklift truck of adequate capacity, or by crane and/or overhead travelling crane. Avoid any sudden movement and do not stand near the manoeuvring area. Always secure models to the lifting gear before handling. A large bump or strong push can cause the model to overturn.
- 1.2 In case of handling with a forklift truck, the lifting brackets must be longer than the depth of the packaging and/or of the model.
- 1.3 The model must always be kept in position as indicated on the packaging.
- 1.4 Avoid applying improper pressure to the packaging during handling. Take care not to damage the headers.
- 1.5 Unpack the unit close to the installation site.
- 1.6 Always use PPE (Personal Protection Equipment) during handling and installation, e.g. gloves that are sufficiently resistant to mechanical hazards, to reduce the risk of injury in the event of contact with sharp sheet metal edges or the finned pack.
- 1.7 It is essential to take all the necessary measures to ensure the complete safety of the operators in order to prevent the model from accidentally falling against people. It is forbidden to work under a suspended load. It is advisable to prepare a structure of greater capacity than the weight to be supported (trestle or props) on which to place the model.
- 1.8 When installation is complete, dispose of packaging according to local regulations.
- 1.9 If brackets are provided, install and maintain them for future use.



Modine CIS Italy S.r.l.
 33050 Pocenia - Udine - Italy
 Via Giulio Locatelli, 22
 Tel. +39 0432.772.001
 Fax +39 0432.779.594
 www.modine.com

Link to user manuals:



<https://www.modinecoolers.com/documents/>