

# GSE

# QUICK GUIDE

This document is a concise version of the model manual. This document is not meant to be a replacement of the manual. To download the full manual please scan the QRcode below or locate the data label on the model and scan the QRcode.

ECO™ heat transfer coolers

MODINE

MANUFACTURER:  
MODINE CIS ITALY S.R.L.  
VIA GIULIO LOCATELLI, 22  
33050 POCENIA (UDINE) ITALY

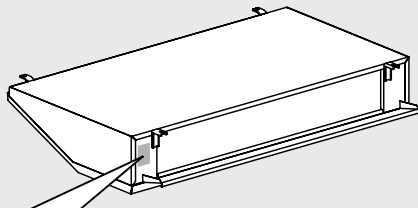
MADE IN ITALY/EU

MODEL GSE32AH4	
SERIAL NR. AA123456789	DATE 01/01/2021
NET WEIGHT [KG] 29	CAPACITY [L] 3.0
CUSTOMER CODE	

PS [BAR] 30	FLUID GROUP 2. G
TS MAX / MIN [°C] 125/-40	VOL [L]
CAT (PED) Art. 4 par. 3	DN 20

NR. OF MOTORS 02	RPM 1340-1490
MOTORS POW. SUPPLY 230V/1/50-60Hz	
TOT. 192-260 W 0.86-1.16 A	

HEATERS POWER SUPPLY	
HEATERS TOT	




ECO™ heat transfer coolers

MODINE

MANUFACTURER:  
MODINE CIS ITALY S.R.L.  
VIA GIULIO LOCATELLI, 22  
33050 POCENIA (UDINE) ITALY

MADE IN ITALY/EU

Link to user manuals:

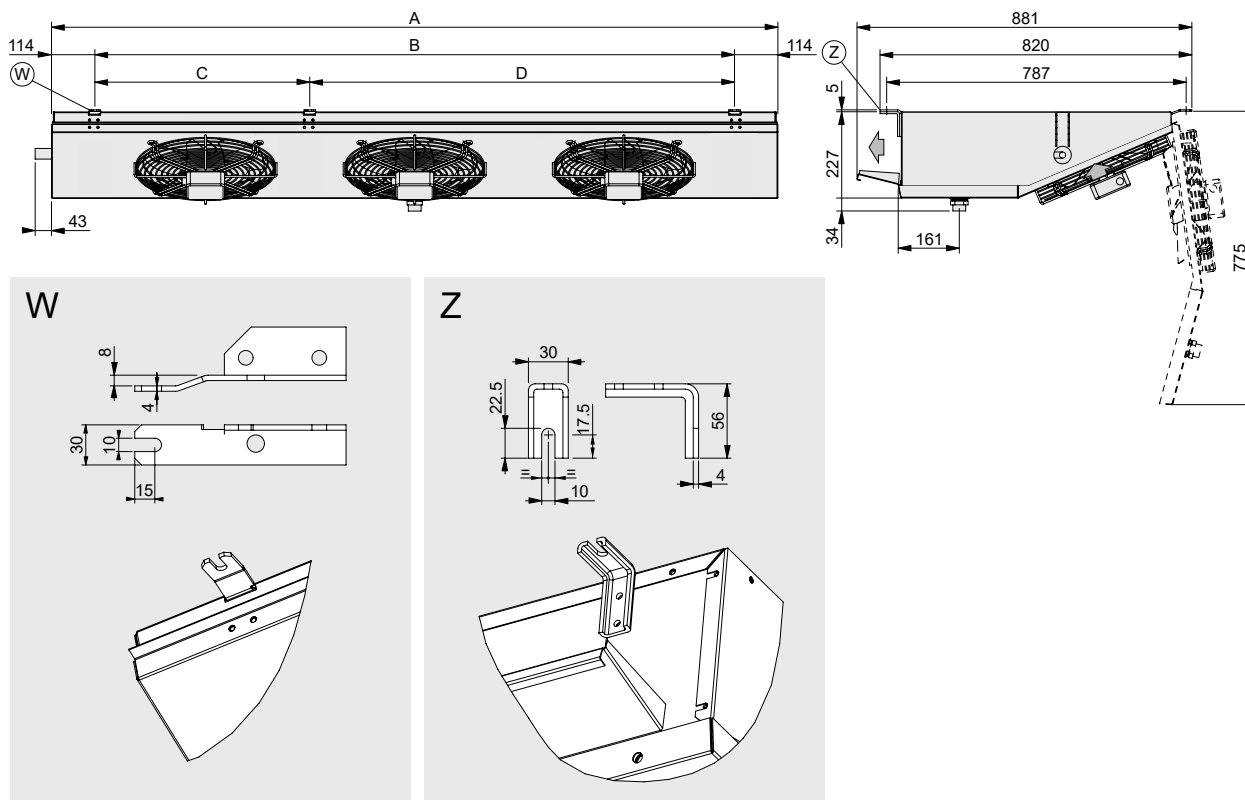


IT ES  
EN FR  
DE RU



**!** Before removing the packaging, handling, assembling, positioning, commissioning of the machine and before performing any work on the model, download and carefully read all the information in the manual. If in doubt contact Modine.

## Construction and dimensional features



Model	GSE	31AH4	32AH4	33AH4	34AH4
		31BL7	32BL7	33BL7	34BL7
Motorfans	n° x Ø mm	1x315	2x315	3x315	4x315
Dimensions	A	810	1360	1910	2460
	B	582	1132	1682	2232
	C	-	-	565	1115
	D	-	-	1117	1117
Coil connections	In (mm)	12	12	12	16
	Out (mm)	16	22	28	28
Drain connection	Ø (GAS)	1"	1"	1"	1"
Net weight	kg	19	30	46	62

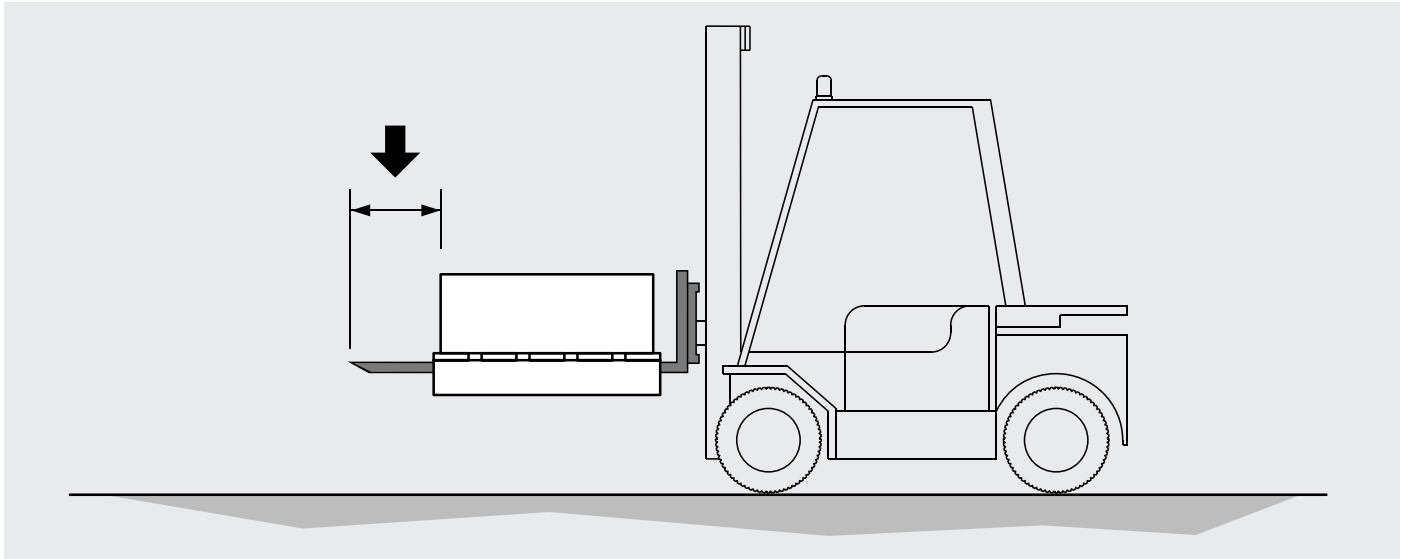
Thermostatic valve with external pressure equaliser recommended

## Inspection - Storage

- 1.1 Upon receipt of the model immediately check its state of integrity; immediately dispute with the transport company any damage. The packaging is created according to the model, to the suitable means of transport and of handling.
- 1.2 The model must be stored in its original packaging in a place that is protected and away from weathering.
- 1.3 Do not place any other material on top of the packaging.
- 1.4 If the model is allowed to be stacked, follow the instructions on the packaging.
- 1.5 If a motor fan is switched OFF for a long period of time, it must be switched ON for at least 2 hours every month to remove any traces of condensation that may have formed inside the motor.
- 1.6 The following rules apply when the unit must remain in storage for long periods of time. The unit must be stored indoors and positioned according to the instructions on the package. During storage, the fans must be manually rotated at least once every 3 months.

## Handling and installation

- 1.1 The models are supplied in a cardboard box and/or wooden cage.
- 1.2 The packaged model must be moved by qualified personnel using a forklift truck of suitable capacity, or with crane and/or overhead crane. The lifting brackets must be longer than the depth of the packaging and/or of the model. Avoid any abrupt movement and do not stand close to the manoeuvring area. Always ensure that the models are secured to the hoists before handling operations. A heavy impact or a strong thrust can overturn the model.



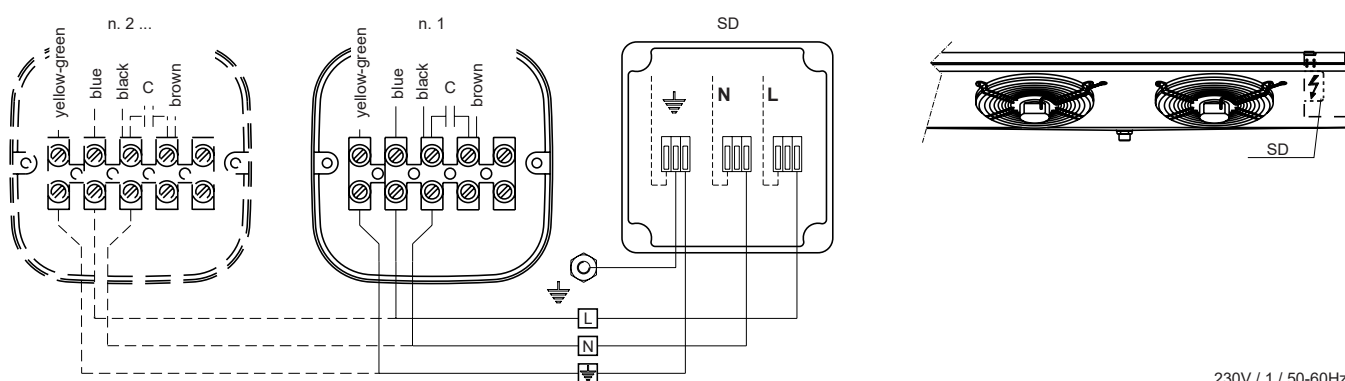
- 1.3 The model must always be kept in position as indicated on the packaging.
- 1.4 Avoid applying improper pressure to the packaging during handling. Take care not to damage the headers.
- 1.5 Unpack the unit close to the installation site.
- 1.6 Always use PPE (Personal Protection Equipment) during handling and installation, e.g. gloves that are sufficiently resistant to mechanical hazards, to reduce the risk of injury in the event of contact with sharp sheet metal edges or the finned pack.
- 1.7 It is essential to take all the necessary measures to ensure the complete safety of the operators in order to prevent the model from accidentally falling against people. It is forbidden to work under a suspended load. It is advisable to prepare a structure of greater capacity than the weight to be supported (trestle or props) on which to place the model.
- 1.8 When installation is complete, remove the protective film covering the model.
- 1.9 When installation is complete, dispose of packaging according to local regulations.
- 1.10 If brackets are provided, install and maintain them for future use.

## Wiring diagrams

### Motor-fan connection diagram

**Important.** The motors are equipped with inner thermal protection with automatic reconnection. Before using motor speed control systems verify the compatibility with the motors. Non compatible systems may damage motors or increase noise level; Modine will not be responsible for model performance with speed control systems. For fans equipped with thermal contacts (TK), these must be connected to the control circuit. For fans supplied with wiring in a junction box, remove the cover to make the connection

Model	GSE	31AH4 31BL7		32AH4 32BL7		33AH4 33BL7		34AH4 34BL7	
Motorfans	n° x Ø mm	1x315		2x315		3x315		4x315	
Frequency	Hz	50	60	50	60	50	60	50	60
Electrical consumption	A	0.43	0.58	0.86	1.16	1.29	1.74	1.72	2.32
	W	96	130	192	260	288	390	384	520
RPM		1340	1490	1340	1490	1340	1490	1340	1490



230V / 1 / 50-60Hz

- = yellow-green
- L = brown
- N = blue
- SD = scatola di derivazione

## Recommended PPE

1.1 The following table summarises the PPE (Personal Protection Equipment) to be used during the various phases of the life of the equipment (each stage involves the obligation to use and provide PPE), in order to protect the health and safety of operators.

Phase								
	Protective clothing	Safety footwear	Gloves	Goggles	Visor	Ear protectors	Mask	Helmet or head gear
Transportation	NP	NP	NP	NP	NP	NP	NP	NP
Handling	X	X	X	X	NP	NP	NP	X
Unpacking	X	X	X	X	NP	NP	NP	X
Assembly	X	X	X	X	NP	O	NP	X
Ordinary use	NP	NP	NP	NP	NP	NP	NP	NP
Adjustments	X	X	X	NP	X	O	NP	NP
Cleaning	X	X	X	NP	X	O	X	NP
Maintenance	X	X	X	NP	X	O	O	X
Dismantling	X	X	X	NP	X	O	NP	X
Demolition	X	X	X	X	NP	O	NP	O

X : Recommended PPE

O : PPE available or to be used if necessary

NP : PPE not recommended

