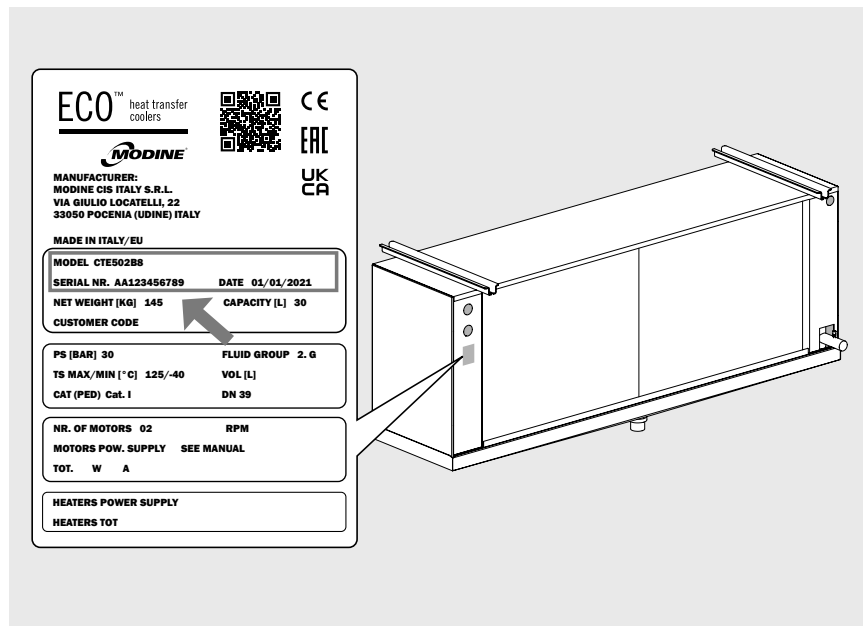


# CTE

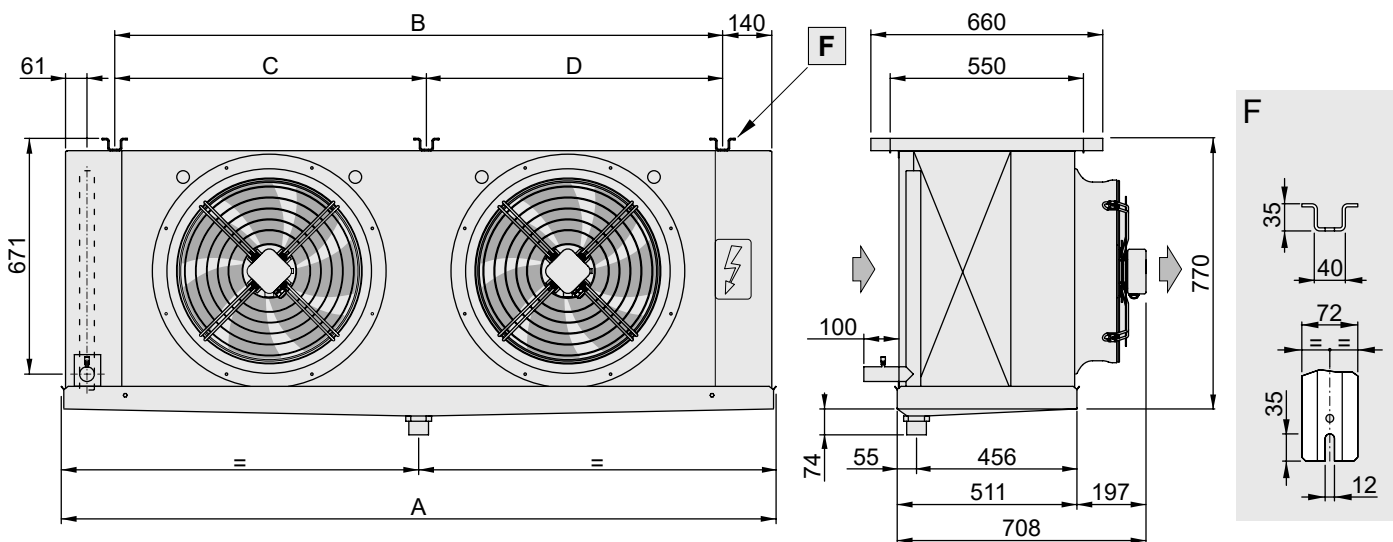
# QUICK GUIDE

This document is a concise version of the model manual. This document is not meant to be a replacement of the manual. To download the full manual please scan the QRcode below or locate the data label on the model and scan the QRcode.



## Construction and dimensional features

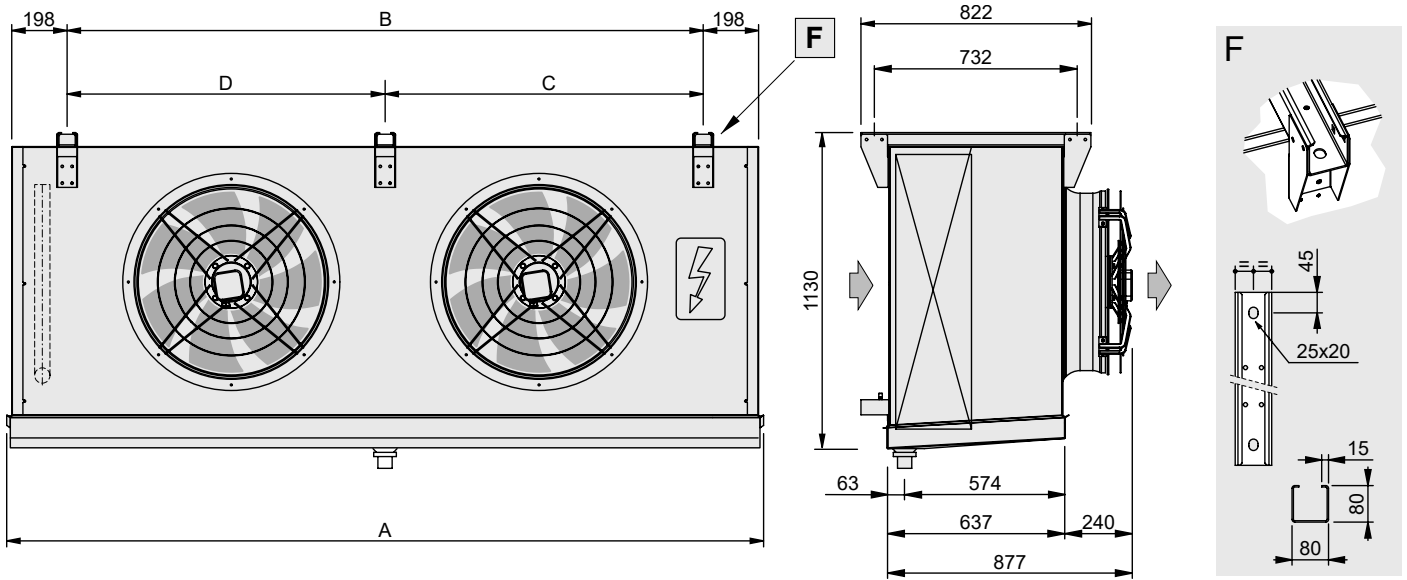
### Ø500 fan diameter unit



Thermostatic valve with external pressure equaliser recommended

Model	CTE	501E4	501A4	501B4	502E4	502A4	502B4	503E4	503A4	503B4	504A4	504B4
		501E6	501A6	501B6	502E6	502A6	502B6	503E6	503A6	503B6	504A6	504B6
		501E8	501A8	501B8	502E8	502A8	502B8	503E8	503A8	503B8	504A8	504B8
Motorfans	n° x Ø mm	1x500	1x500	1x500	2x500	2x500	2x500	3x500	3x500	3x500	4x500	4x500
Dimensions	A [mm]	1184	1184	1184	2034	2034	2034	2884	2884	2884	3734	3734
	B [mm]	880	880	880	1730	1730	1730	2580	2580	2580	3430	3430
	C [mm]	-	-	-	-	-	-	-	-	-	1730	1730
	D [mm]	-	-	-	-	-	-	-	-	-	1700	1700
Coil connections	In [mm]	16	16 (A8 22)	22	22	22 (A8 28)	28	22 (E8 28)	28	28	28 (A8 35)	28 (B8 35)
	Out [mm]	28 (E8 35)	28 (A8 35)	35	35	35 (A8 42)	42	42	42	54	54	54
Drain connection	Ø (GAS)	2"	2"	2"	2"	2"	2"	2"	2"	2"	2"	2"
Net weight	kg	61	70	81	106	125	145	151	180	209	236	274

Ø630 fan diameter unit



Thermostatic valve with external pressure equaliser recommended

Model	CTE	631E4	631A4	631B4	632E4	632A4	632B4	633E4	633A4	633B4	634E4	634A4	634B4
		631E6	631A6	631B6	632E6	632A6	632B6	633E6	633A6	633B6	634E6	634A6	634B6
		631E8	631A8	631B8	632E8	632A8	632B8	633E8	633A8	633B8	634E8	634A8	634B8
Motorfans	n° x Ø mm	1x630	1x630	1x630	2x630	2x630	2x630	3x630	3x630	3x630	4x630	4x630	4x630
Dimensions	A [mm]	1606	1606	1606	2706	2706	2706	3806	3806	3806	4906	4906	4906
	B [mm]	1174	1174	1174	2274	2274	2274	3374	3374	3374	4474	4474	4474
	C [mm]	-	-	-	-	-	-	-	-	-	2237	2237	2237
	D [mm]	-	-	-	-	-	-	-	-	-	2237	2237	2237
Coil connections	In [mm]	22 (E8 28)	28	28	35	35	35	35	35	2 x 35	2 x 35	35	2 x 35
	Out [mm]	35 (E8 42)	42	42	54	54	54	54	54	2 x 54	2 x 54	54	2 x 54
Drain connection	Ø (GAS)	2"	2"	2"	2"	2"	2"	2"	2"	2"	2"	2"	2"
Net weight	kg	110	130	160	210	260	320	310	390	470	410	520	630

## Inspection - Storage

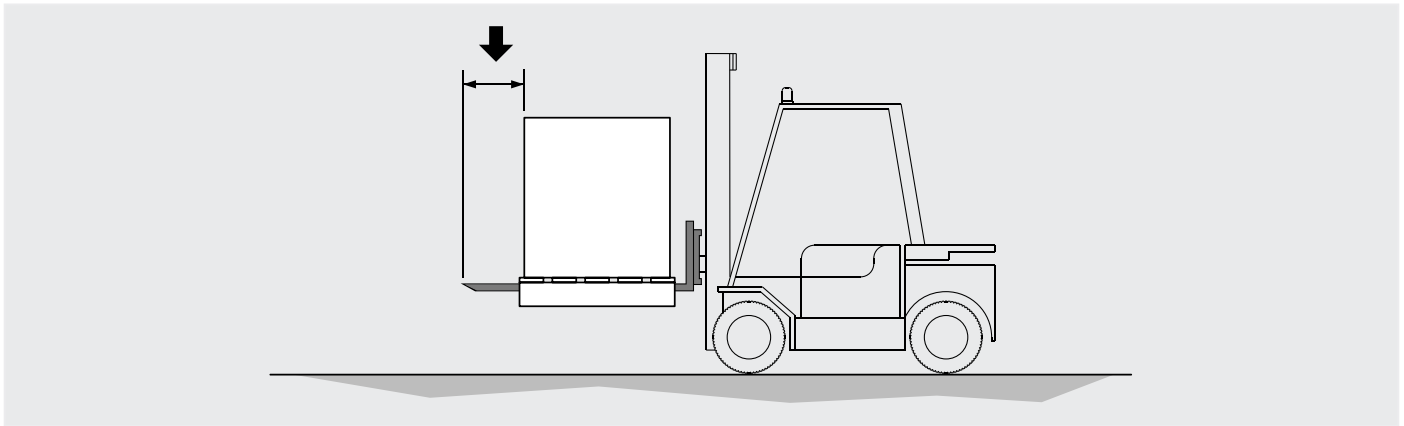
- 1.1 Upon receipt of the model immediately check its state of integrity; immediately dispute with the transport company any damage. The packaging is created according to the model, to the suitable means of transport and of handling.
- 1.2 The model must be stored in its original packaging in a place that is protected and away from weathering.
- 1.3 Do not place any other material on top of the packaging.
- 1.4 If the model is allowed to be stacked, follow the instructions on the packaging.
- 1.5 If a motor fan is switched OFF for a long period of time, it must be switched ON for at least 2 hours every month to remove any traces of condensation that may have formed inside the motor.
- 1.6 The following rules apply when the unit must remain in storage for long periods of time. The unit must be stored indoors and positioned according to the instructions on the package. During storage, the fans must be manually rotated at least once every 3 months.

## Handling and installation









- 1.1 The models are supplied in a cardboard box and/or wooden cage.
- 1.2 The packaged model must be moved by qualified personnel using a forklift truck of suitable capacity, or with crane and/or overhead crane. The lifting brackets must be longer than the depth of the packaging and/or of the model. Avoid any abrupt movement and do not stand close to the manoeuvring area. Always ensure that the models are secured to the hoists before handling operations. A heavy impact or a strong thrust can overturn the model.
- 1.3 The model must always be kept in position as indicated on the packaging.
- 1.4 Avoid applying improper pressure to the packaging during handling. Take care not to damage the headers.
- 1.5 Unpack the unit close to the installation site.
- 1.6 Always use PPE (Personal Protection Equipment) during handling and installation, e.g. gloves that are sufficiently resistant to

mechanical hazards, to reduce the risk of injury in the event of contact with sharp sheet metal edges or the finned pack.

- 1.7 It is essential to take all the necessary measures to ensure the complete safety of the operators in order to prevent the model from accidentally falling against people. It is forbidden to work under a suspended load. It is advisable to prepare a structure of greater capacity than the weight to be supported (trestle or props) on which to place the model.
- 1.8 When installation is complete, remove the protective film covering the model.
- 1.9 When installation is complete, dispose of packaging according to local regulations.
- 1.10 If brackets are provided, install and maintain them for future use.



- 1.11 The following table summarises the PPE (Personal Protection Equipment) to be used during the various phases of the life of the equipment (each stage involves the obligation to use and provide PPE), in order to protect the health and safety of operators.
- 1.12 The responsibility for the identification and choice of the type and category of PPE that is appropriate and suitable lies with the user.
- 1.13 The PPE used must comply with the directives of the product and bear the CE marking (for the European market).

Phase								
	Protective clothing	Safety footwear	Gloves	Goggles	Visor	Ear protectors	Mask	Helmet or head gear
Transportation	NP	NP	NP	NP	NP	NP	NP	NP
Handling	X	X	X	X	NP	NP	NP	X
Unpacking	X	X	X	X	NP	NP	NP	X
Assembly	X	X	X	X	NP	O	NP	X
Ordinary use	NP	NP	NP	NP	NP	NP	NP	NP
Adjustments	X	X	X	NP	X	O	NP	NP
Cleaning	X	X	X	NP	X	O	X	NP
Maintenance	X	X	X	NP	X	O	O	X
Dismantling	X	X	X	NP	X	O	NP	X
Demolition	X	X	X	X	NP	O	NP	O

X : Recommended PPE

O : PPE available or to be used if necessary

NP : PPE not recommended

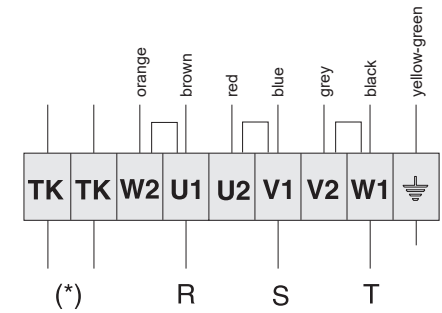
## Wiring diagrams

### Motor-fan connection diagram

Important. The motors are equipped with inner thermal protection with automatic reconnection. Before using motor speed control systems verify the compatibility with the motors. Non compatible systems may damage motors or increase noise level; Modine will not be responsible for model performance with speed control systems. For fans equipped with thermal contacts (TK), these must be connected to the control circuit. For models supplied with wiring in a junction box, remove the cover to make the connection.

Model	CTE	501E4	501A4	501B4	502E4	502A4	502B4	503E4	503A4	503B4	504A4	504B4
		501E6	501A6	501B6	502E6	502A6	502B6	503E6	503A6	503B6	504A6	504B6
		501E8	501A8	501B8	502E8	502A8	502B8	503E8	503A8	503B8	504A8	504B8
Motorfans	n° x Ø mm	1x500			2x500			3x500			4x500	
Frequency	Hz	50	60		50	60		50	60		50	60
400V, ~3, Δ												
Electrical consumption	A	1.70	1.90		3.40	3.80		5.10	5.70		6.80	7.60
	W	770	1100		1540	2200		2310	3300		3080	4400
RPM		1300	1400		1300	1400		1300	1400		1300	1400
400V, ~3, Y												
Electrical consumption	A	0.84	0.88		1.68	1.76		2.52	2.64		3.36	3.52
	W	490	600		980	1200		1470	1800		1960	2400
RPM		1025	980		1025	980		1025	980		1025	980
460V, ~3, Δ												
Electrical consumption	A	-	2.00		-	4.00		-	6.00		-	8.00
	W	-	1200		-	2400		-	3600		-	4800
RPM		-	1480		-	1480		-	1480		-	1480
460V, ~3, Y												
Electrical consumption	A	-	0.90		-	1.80		-	2.70		-	3.60
	W	-	700		-	1400		-	2100		-	2800
RPM		-	1100		-	1100		-	1100		-	1100

Standard wiring diagram - 400V, ~3, Δ



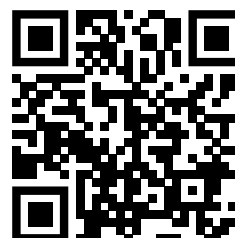
(\*) Internal protective thermal contacts

Model	CTE	631E4	631A4	631B4	632E4	632A4	632B4	633E4	633A4	633B4	634E4	634A4	634B4
		631E6	631A6	631B6	632E6	632A6	632B6	633E6	633A6	633B6	634E6	634A6	634B6
		631E8	631A8	631B8	632E8	632A8	632B8	633E8	633A8	633B8	634E8	634A8	634B8
Motorfans	n° x Ø mm	1x630			2x630			3x630			4x630		
Frequency	Hz	50	60		50	60		50	60		50	60	
400V, ~3, Δ													
Electrical consumption	A	3.70	4.80		7.40	9.60		11.10	14.40		14.80	19.20	
	W	1750	2800		3500	5600		5250	8400		7000	11200	
RPM		1400	1580		1400	1580		1400	1580		1400	1580	
400V, ~3, Y													
Electrical consumption	A	2.20	3.00		4.40	6.00		6.60	9.00		8.80	12.00	
	W	1350	1800		2700	3600		4050	5400		5400	7200	
RPM		1210	1210		1210	1210		1210	1210		1210	1210	
460V, ~3, Δ													
Electrical consumption	A	-	4.60		-	9.20		-	13.80		-	18.40	
	W	-	2900		-	5800		-	8700		-	11600	
RPM		-	1640		-	1640		-	1640		-	1640	
460V, ~3, Y													
Electrical consumption	A	-	3.00		-	6.00		-	9.00		-	12.00	
	W	-	2100		-	4200		-	6300		-	8400	
RPM		-	1330		-	1330		-	1330		-	1330	



Modine CIS Italy S.r.l.  
 33050 Pocenia - Udine - Italy  
 Via Giulio Locatelli, 22  
 Tel. +39 0432.772.001  
 Fax +39 0432.779.594  
 www.modine.com

Link to user manuals:



<https://www.modinecoolers.com/documents/>