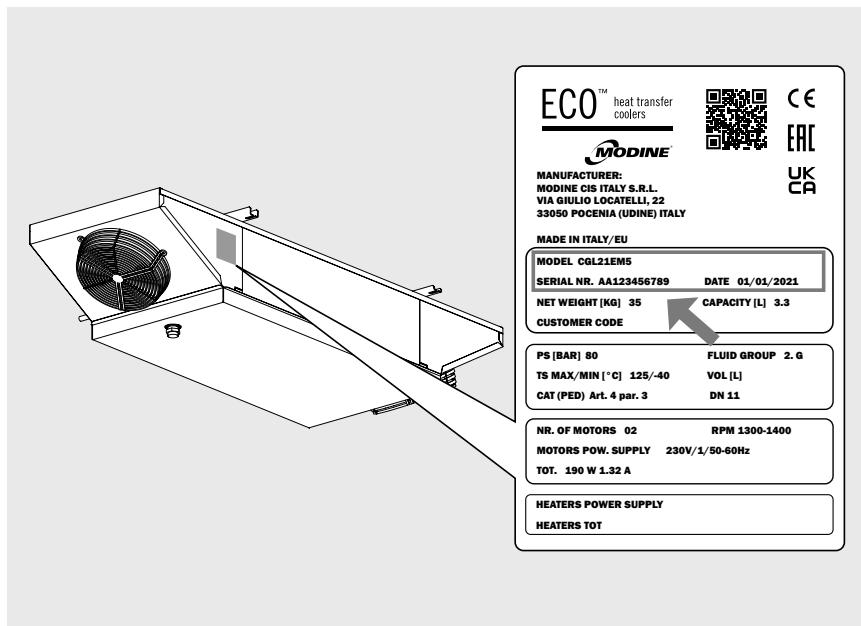


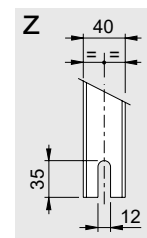
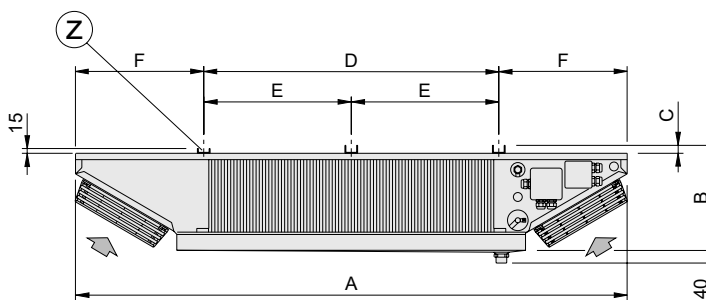
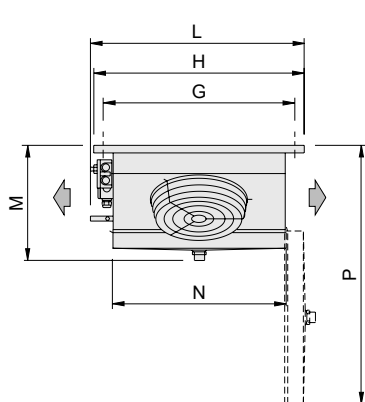
# CGL

# QUICK GUIDE

This document is a concise version of the model manual. This document is not meant to be a replacement of the manual. To download the full manual please scan the QRcode below or locate the data label on the model and scan the QRcode.



## Construction and dimensional features



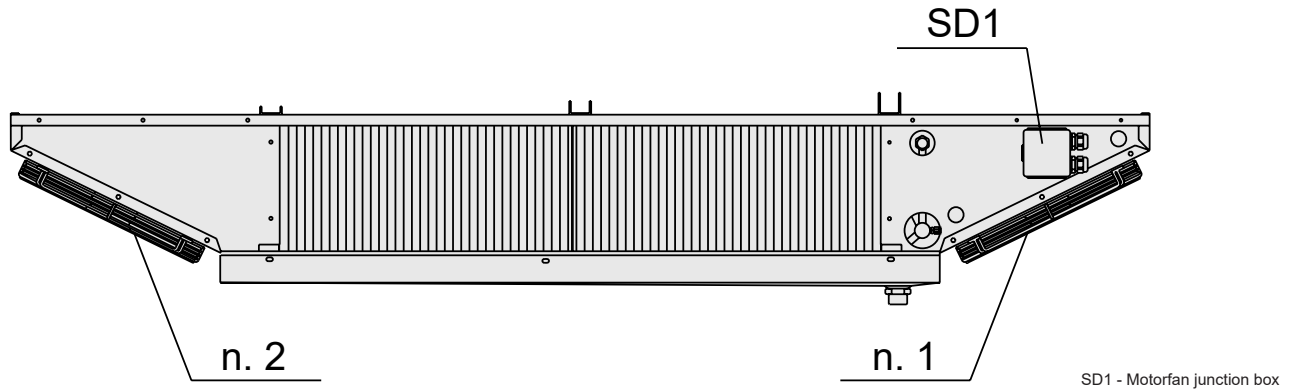
Model	CGL	21EM5	22EM5	23EM5	34EM5	34FM5
Motorfans	n° x Ø mm	2x250	2x250	2x250	2x315	2x315
Dimensions	A	1752	2202	2651	3231	3231
	B	335	335	347	347	347
	C	28	28	40	40	40
	D	930	1380	1830	2280	2280
	E	-	-	915	1140	1140
	F	405	405	405	475	475
	G	620	620	620	737	737
	H	678	678	678	795	795
	L	695	695	695	810	810
	M	375	375	387	387	387
Coil connections	In (mm)	12.7	12.7	12.7	12.7	12.7
	Out (mm)	12.7	12.7	12.7	12.7	12.7
Drain connection	Ø (GAS)	1"	1"	1"	1"	1"
Net weight	kg	35	44	54	71	78

Thermostatic valve with external pressure equaliser recommended

## Wiring diagrams

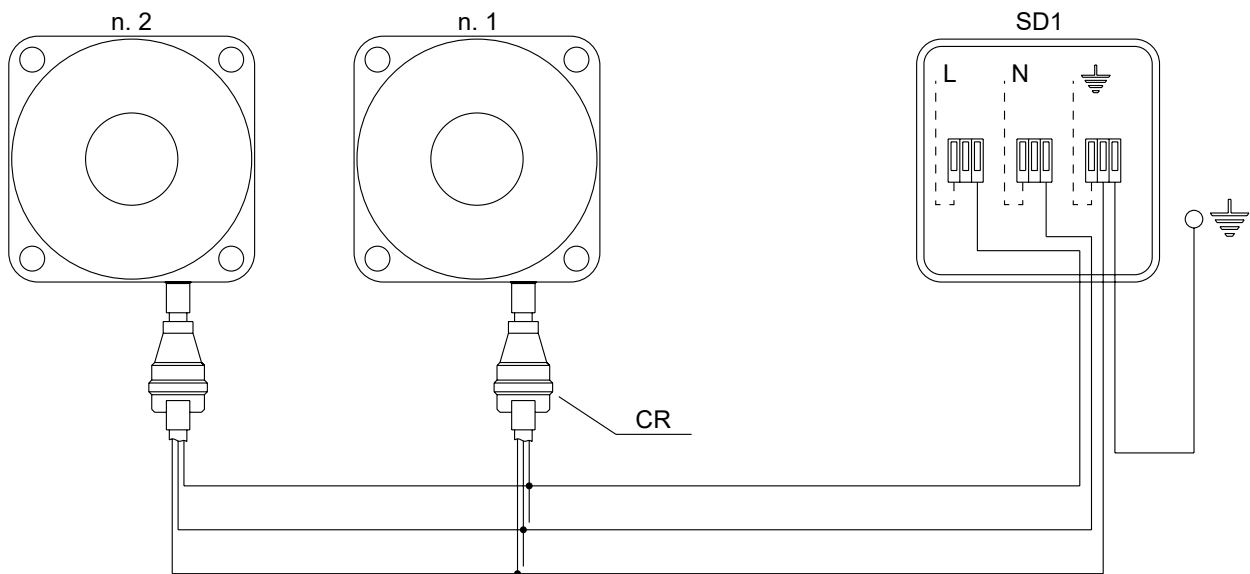
### Motor-fan connection diagram


**Important.** The motors are equipped with inner thermal protection with automatic reconnection. Before using motor speed control systems verify the compatibility with the motors. Non compatible systems may damage motors or increase noise level; Modine will not be responsible for model performance with speed control systems. For fans equipped with thermal contacts (TK), these must be connected to the control circuit. For models supplied with wiring in a junction box, remove the cover to make the connection.



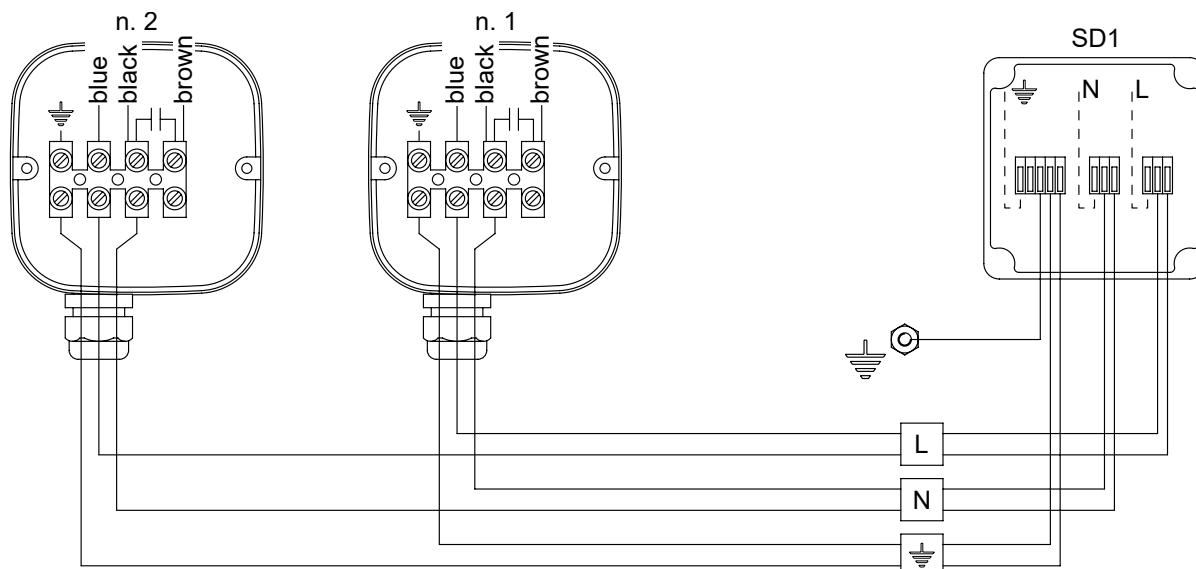
Model	CGL	21EM5		22EM5		23EM5		34EM5		34FM5	
Motorfans	n° x Ø mm	2x250		2x250		2x250		2x315		2x315	
Frequency	Hz	50	60	50	60	50	60	50	60	50	60
Electrical consumption	A	1.32	1.32	1.32	1.32	1.32	1.32	0.86	1.16	0.86	1.16
	W	190	190	190	190	190	190	192	260	192	260
RPM		1300	1400	1300	1400	1300	1400	1340	1490	1340	1490


### Ø250 fan diameter unit



-  = yellow-green
- L = brown
- N = blue
- CR = cable quick connection
- SD1 = motorfan junction box

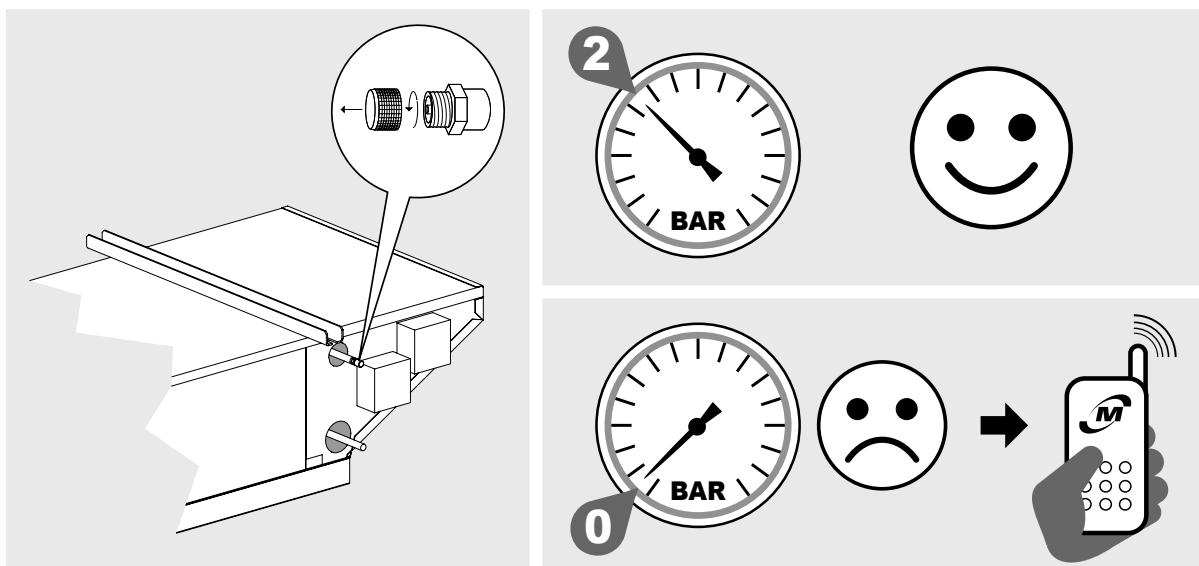
**Ø315 fan diameter unit**



-  = yellow-green
- L = brown
- N = blue
- SD1 = motorfan junction box

**Inspection - Storage**

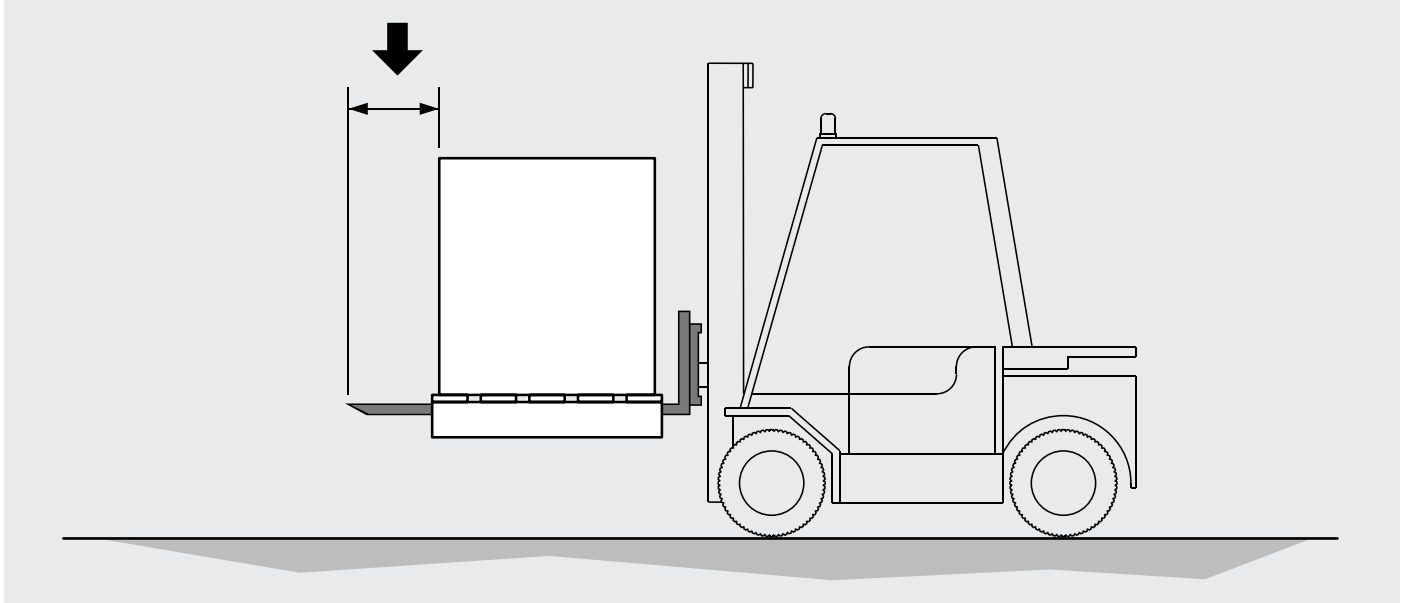
- 1.1 Upon receipt of the model immediately check its state of integrity; immediately dispute with the transport company any damage. The packaging is created according to the model, to the suitable means of transport and of handling.
- 1.2 The heat exchangers of the models are supplied with a pre-charge of dry air at 2 bar and have load couplings of 1/4" SAE. Check for the presence of pressure. In the absence of pressure immediately contact Modine and report the problem on the transport document. Insufficient pressure indicates a loss due to damage incurred during transportation.



- 1.3 The model must be stored in its original packaging in a place that is protected and away from weathering.
- 1.4 Do not place any other material on top of the packaging.
- 1.5 If the model is allowed to be stacked, follow the instructions on the packaging.
- 1.6 If a motor fan is switched OFF for a long period of time, it must be switched ON for at least 2 hours every month to remove any traces of condensation that may have formed inside the motor.
- 1.7 The following rules apply when the unit must remain in storage for long periods of time. The unit must be stored indoors and positioned according to the instructions on the package. During storage, the fans must be manually rotated at least once every 3 months.

## Handling and installation

- 1.1 The models are supplied in a cardboard box and/or wooden cage.
- 1.2 The packaged model must be moved by qualified personnel using a forklift truck of suitable capacity, or with crane and/or overhead crane. The lifting brackets must be longer than the depth of the packaging and/or of the model. Avoid any abrupt movement and do not stand close to the manoeuvring area. Always ensure that the models are secured to the hoists before handling operations. A heavy impact or a strong thrust can overturn the model.

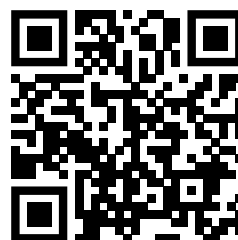


- 1.3 The model must always be kept in position as indicated on the packaging.
- 1.4 Avoid applying improper pressure to the packaging during handling. Take care not to damage the headers.
- 1.5 Unpack the unit close to the installation site.
- 1.6 Always use PPE (Personal Protection Equipment) during handling and installation, e.g. gloves that are sufficiently resistant to mechanical hazards, to reduce the risk of injury in the event of contact with sharp sheet metal edges or the finned pack.
- 1.7 It is essential to take all the necessary measures to ensure the complete safety of the operators in order to prevent the model from accidentally falling against people. It is forbidden to work under a suspended load. It is advisable to prepare a structure of greater capacity than the weight to be supported (trestle or props) on which to place the model.
- 1.8 When installation is complete, remove the protective film covering the model.
- 1.9 When installation is complete, dispose of packaging according to local regulations.
- 1.10 If brackets are provided, install and maintain them for future use.



Modine CIS Italy S.r.l.  
 33050 Pocenia - Udine - Italy  
 Via Giulio Locatelli, 22  
 Tel. +39 0432.772.001  
 Fax +39 0432.779.594  
 www.modine.com

Link to user manuals:



<https://www.modinecoolers.com/documents/>