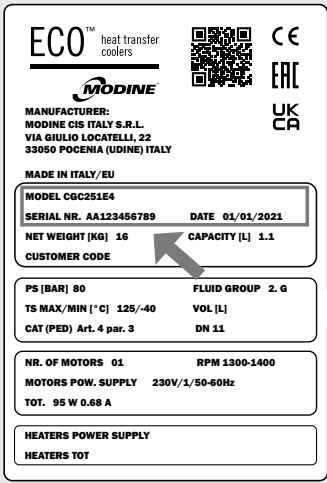


CGC

QUICK GUIDE

This document is a concise version of the model manual. This document is not meant to be a replacement of the manual. To download the full manual please scan the QRcode below or locate the data label on the model and scan the QRcode.



ECO™ heat transfer coolers
MODINE

MANUFACTURER:
MODINE CIS ITALY S.R.L.
VIA GIULIO LOCATELLI, 22
33050 POCCENIA (UDINE) ITALY

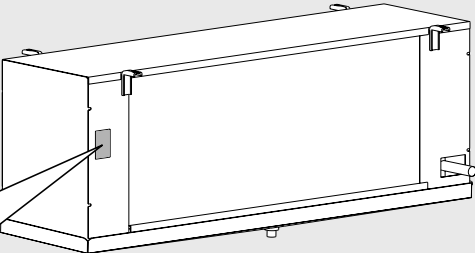
MADE IN ITALY/EU

MODEL CGC251E4
SERIAL NR. AA123456789 DATE 01/01/2021
NET WEIGHT [KG] 16 CAPACITY [L] 1.1
CUSTOMER CODE

PS [BAR] 80 FLUID GROUP 2.0
TS MAX/MIN [°C] 125/-40 VOL [L]
CAT (PED) Art. 4 par. 3 DN 11

NR. OF MOTORS 01 RPM 1300-1400
MOTORS POW. SUPPLY 230V/1/50-60Hz
TOT. 95 W 0.68 A


HEATERS POWER SUPPLY
HEATERS TOT



ECO™ heat transfer coolers
MODINE

CE
EAC
UK
CA

Link to user manuals:



IT


ES

EN

FR

DE

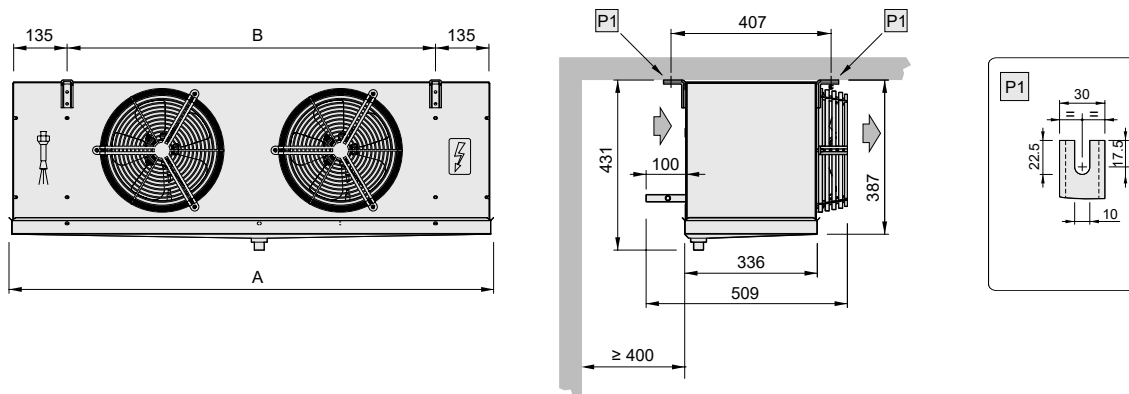
RU



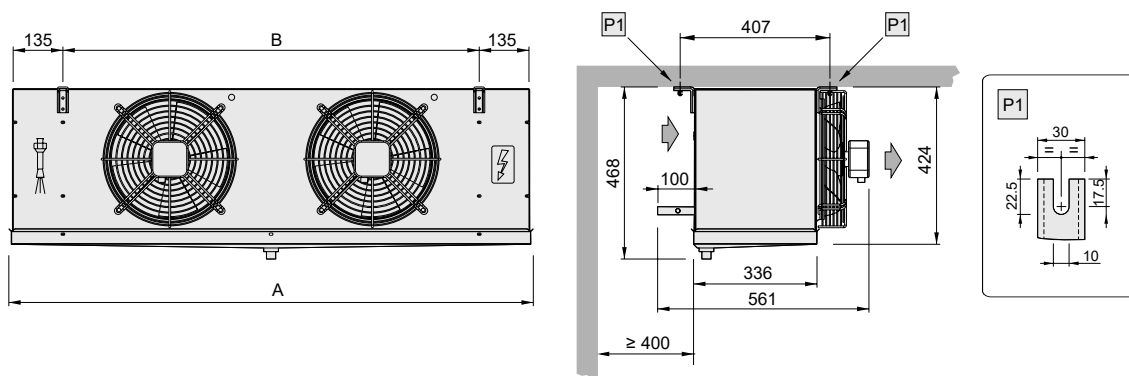
! Before removing the packaging, handling, assembling, positioning, commissioning of the machine and before performing any work on the model, download and carefully read all the information in the manual. If in doubt contact Modine.

Construction and dimensional features

Ø250 fan diameter unit



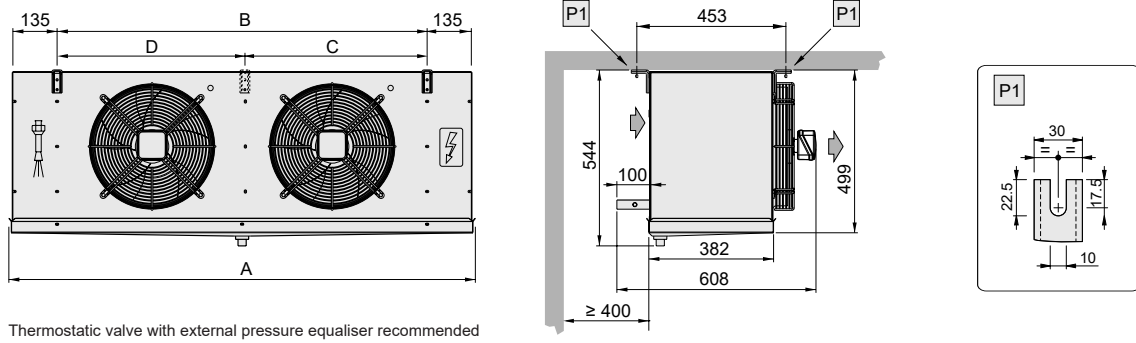
Ø315 fan diameter unit



Thermostatic valve with external pressure equaliser recommended

Model	CGC	251E4R	251E4	252G4	252E4	253G4	253E4	254G4	254E4	311F4	312F4	313F4	314F4
		251E6R	251E6	252G6	252E6	253G6	253E6	254G6	254E6	311F6	312F6	313F6	314F6
		251E8R	251E8	252G8	252E8	253G8	253E8	254G8	254E8	311F8	312F8	313F8	314F8
Motorfans	n° x Ø mm	1x250	1x250	2x250	2x250	3x250	3x250	4x250	4x250	1x315	2x315	3x315	4x315
Dimensions	A [mm]	674	774	1224	1224	1674	1674	2124	2124	874	1424	1974	2524
	B [mm]	380	480	930	930	1380	1380	1830	1830	580	1130	1680	2230
	In [mm]	12.7	12.7	12.7	12.7	12.7	12.7	12.7	12.7	12.7	12.7	12.7	12.7
Coil connections	Out [mm]	12.7	12.7	12.7	12.7	12.7	12.7	12.7	12.7	12.7	12.7	12.7	12.7
	Ø (GAS)	1"	1"	1"	1"	1"	1"	1"	1"	1"	1"	1"	1"
Drain connection	Ø (GAS)	1"	1"	1"	1"	1"	1"	1"	1"	1"	1"	1"	1"
Net weight	kg	14	16	24	26	33	36	42	46	22	37	52	67

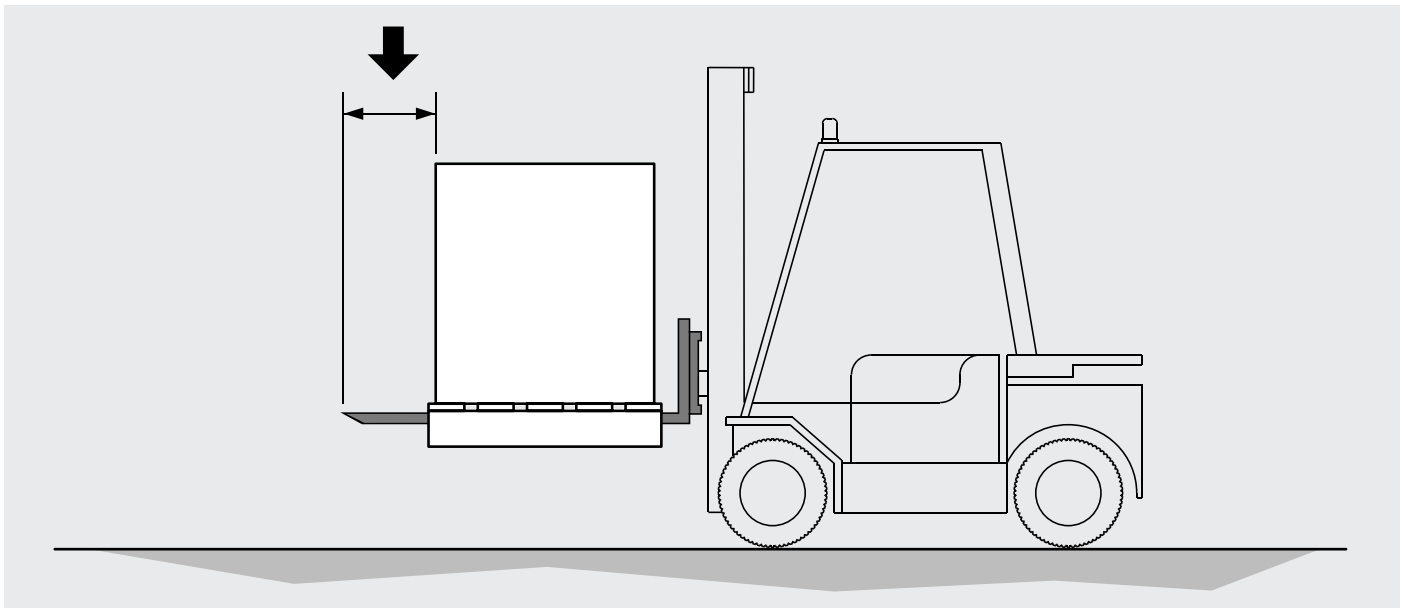
Ø350 fan diameter unit



Model	CGC	351E4	351A4	352E4	352A4	353F4	353A4	354F4	354A4	355A4
		351E6	351A6	352E6	352A6	353F6	353A6	354F6	354A6	355A6
		351E8	351A8	352E8	352A8	353F8	353A8	354F8	354A8	355A8
Motorfans	n° x Ø mm	1x350	1x350	2x350	2x350	3x350	3x350	4x350	4x350	5x350
Dimensions	A [mm]	875	875	1425	1425	1975	1975	2525	2525	3075
	B [mm]	580	580	1130	1130	1680	1680	2230	2230	2780
	C [mm]	-	-	-	-	-	-	1115	1115	1665
	D [mm]	-	-	-	-	-	-	1115	1115	1115
Coil connections	In [mm]	12.7	12.7	12.7	12.7	12.7	12.7	12.7	12.7	12.7 (A8 15.87)
	Out [mm]	12.7	12.7	12.7	12.7 (A8 15.87)	15.87 (F8 22.23)	15.87 (A8 22.23)	15.87 (F8 22.23)	22.23	22.23
Drain connection	Ø (GAS)	1"	1"	1"	1"	1"	1"	1"	1"	1"
Net weight	kg	24	29	45	53	64	69	85	92	113

Handling and installation

- 1.1 The models are supplied in a cardboard box and/or wooden cage.
- 1.2 The packaged model must be moved by qualified personnel using forklift trucks of suitable capacity, or with crane and/or overhead crane. The lifting brackets must be longer than the depth of the packaging and/or of the model. Avoid any abrupt movement and do not stand close to the manoeuvring area. Always ensure that the models are secured to the hoists before handling operations. A heavy impact or a strong thrust can overturn the model.



- 1.3 The model must always be kept in position as indicated on the packaging.
- 1.4 Avoid applying improper pressure to the packaging during handling. Take care not to damage the headers.
- 1.5 Unpack the unit close to the installation site.
- 1.6 Always use PPE (Personal Protection Equipment) during handling and installation, e.g. gloves that are sufficiently resistant to mechanical hazards, to reduce the risk of injury in the event of contact with sharp sheet metal edges or the finned pack.
- 1.7 It is essential to take all the necessary measures to ensure the complete safety of the operators in order to prevent the model from accidentally falling against people. It is forbidden to work under a suspended load. It is advisable to prepare a structure of greater capacity than the weight to be supported (trestle or props) on which to place the model.
- 1.8 When installation is complete, remove the protective film covering the model.
- 1.9 When installation is complete, dispose of packaging according to local regulations.
- 1.10 If brackets are provided, install and maintain them for future use.

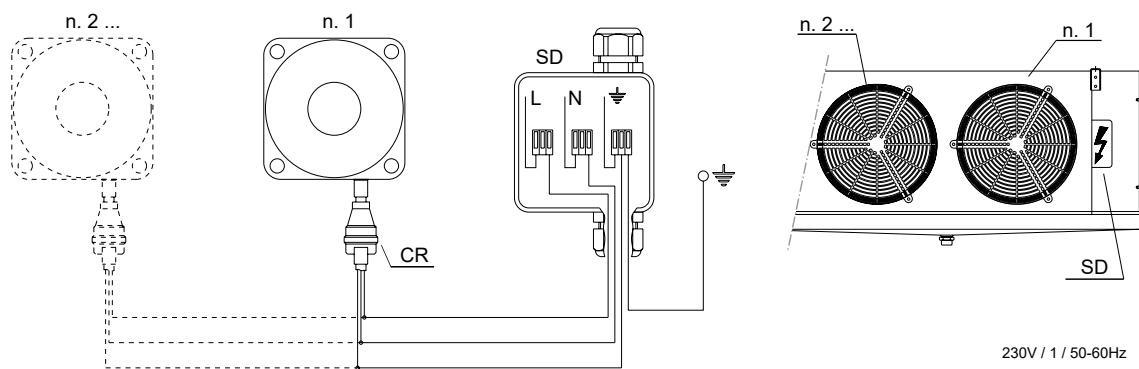
Wiring diagrams

Motor-fan connection diagram

Important. The motors are equipped with inner thermal protection with automatic reconnection. Before using motor speed control systems verify the compatibility with the motors. Non compatible systems may damage motors or increase noise level; Modine will not be responsible for model performance with speed control systems. For fans equipped with thermal contacts (TK), these must be connected to the control circuit. For models supplied with wiring in a junction box, remove the cover to make the connection.

Ø250 fan diameter unit

Model	CGC	251E4R	251E4	252G4	252E4	253G4	253E4	254G4	254E4
		251E6R	251E6	252G6	252E6	253G6	253E6	254G6	254E6
		251E8R	251E8	252G8	252E8	253G8	253E8	254G8	254E8
Motorfans	n° x Ø mm	1x250		2x250		3x250		4x250	
Frequency	Hz	50	60	50	60	50	60	50	60
Electrical consumption	A	0.66	0.66	1.32	1.32	1.98	1.98	2.64	2.64
	W	95	95	190	190	285	285	380	380
RPM		1300	1400	1300	1400	1300	1400	1300	1400

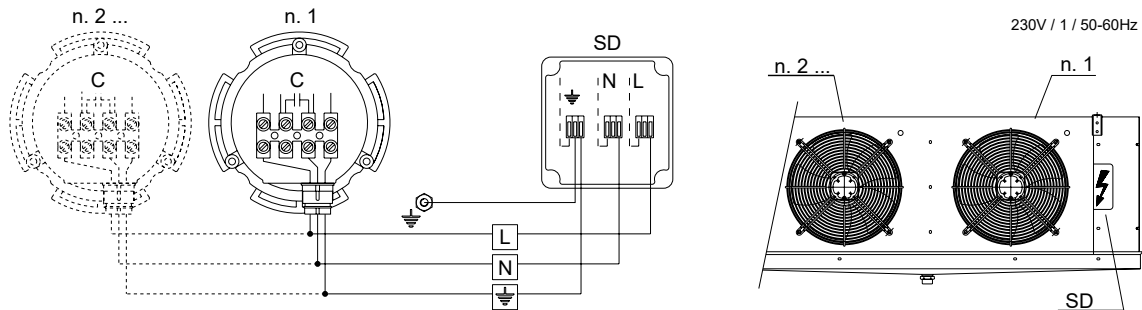



- = yellow-green
- L = brown or grey
- N = blue
- CR = cable quick connection
- SD = junction box

Ø315-Ø350 fan diameter unit

Model	CGC	311F4		312F4		313F4		314F4	
		311F6	311F8	312F6	312F8	313F6	313F8	314F6	314F8
Motorfans	n° x Ø mm	1x315		2x315		3x315		4x315	
Frequency	Hz	50	60	50	60	50	60	50	60
Electrical consumption	A	0.52	0.66	1.04	1.32	1.56	1.98	2.08	2.64
	W	110	148	220	296	330	444	440	592
RPM		1350	1490	1350	1490	1350	1490	1350	1490

Model	CGC	351E4		351A4		352E4		352A4		353F4		353A4		354F4		354A4		355A4	
		351E6	351A6	352E6	352A6	353F6	353A6	354F6	354A6	355A6									
Motorfans	n° x Ø mm	1x350		2x350		3x350		4x350		5x350									
Frequency	Hz	50	60	50	60	50	60	50	60	50	60								
Electrical consumption	A	0.96	1.08	1.92	2.16	2.88	3.24	3.84	4.32	4.80	5.40								
	W	185	250	370	500	555	750	740	1000	925	1250								
RPM		1450	1700	1450	1700	1450	1700	1450	1700	1450	1700								

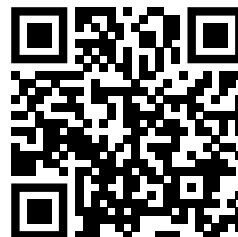


-  = yellow-green
- L = brown
- N = blue
- SD = junction box



Modine CIS Italy S.r.l.
 33050 Pocenia - Udine - Italy
 Via Giulio Locatelli, 22
 Tel. +39 0432.772.001
 Fax +39 0432.779.594
 www.modine.com

Link to user manuals:



<https://www.modinecoolers.com/documents/>