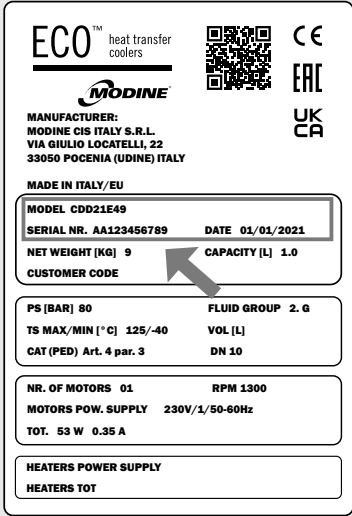


CDD

QUICK GUIDE

This document is a concise version of the model manual. This document is not meant to be a replacement of the manual. To download the full manual please scan the QRcode below or locate the data label on the model and scan the QRcode.



ECO™ heat transfer coolers
MODINE

MANUFACTURER:
MODINE CIS ITALY S.R.L.
VIA GIULIO LOCATELLI, 22
33050 POCENIA (UDINE) ITALY

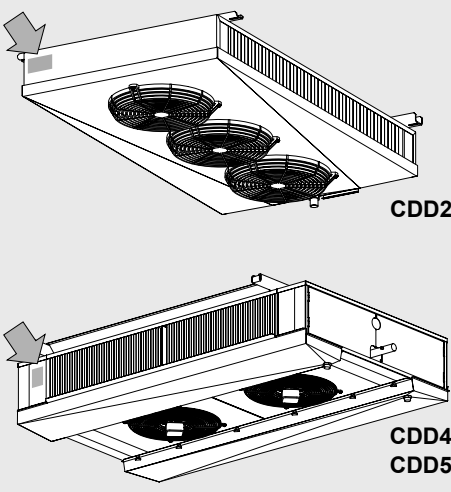
MADE IN ITALY/EU

MODEL CDD21E49
SERIAL NR. AA123456789 DATE 01/01/2021
NET WEIGHT [KG] 9 CAPACITY [L] 1.0
CUSTOMER CODE

PS [BAR] 80 FLUID GROUP 2. G
TS MAX./MIN [°C] 125/-40 VOL [L]
CAT (PED) Art. 4 par. 3 DN 10

NR. OF MOTORS 01 RPM 1300
MOTORS POW. SUPPLY 230V/1/50-60Hz
TOT. 53 W 0.35 A

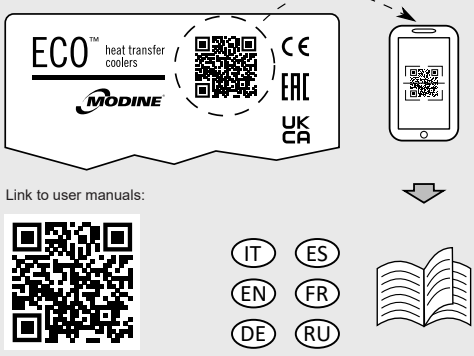
HEATERS POWER SUPPLY
HEATERS TOT



CDD2

CDD4

CDD5



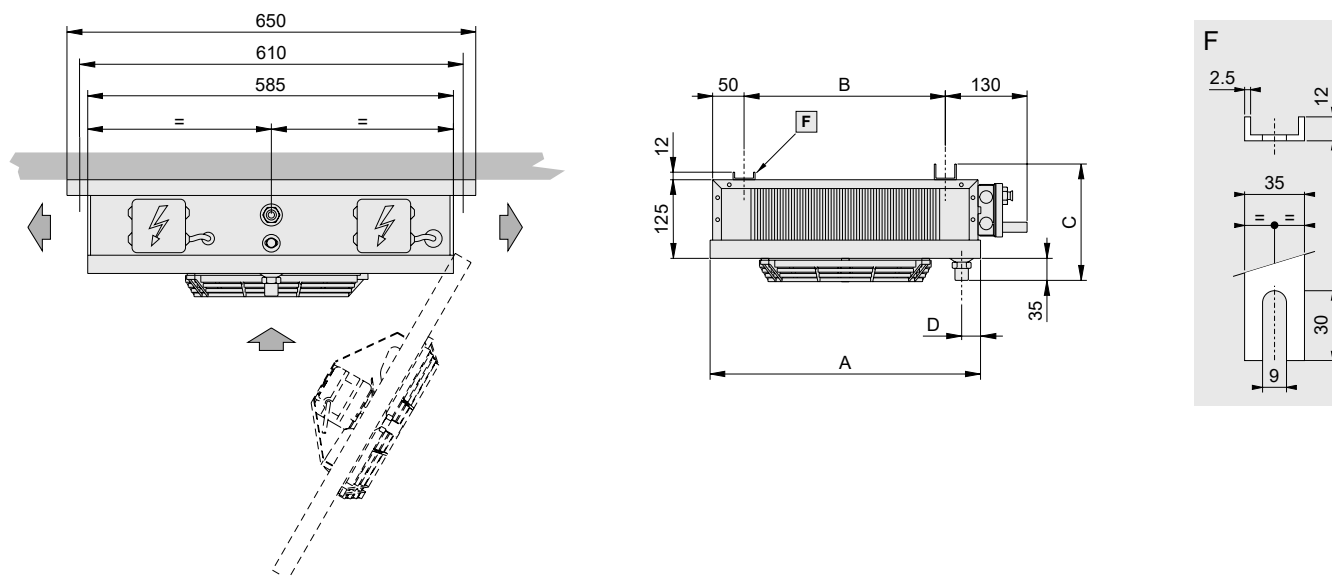
Link to user manuals:

IT ES
EN FR
DE RU

Before removing the packaging, handling, assembling, positioning, commissioning of the machine and before performing any work on the model, download and carefully read all the information in the manual. If in doubt contact Modine.

Construction and dimensional features

CDD2 Ø230 mm fan diameter unit

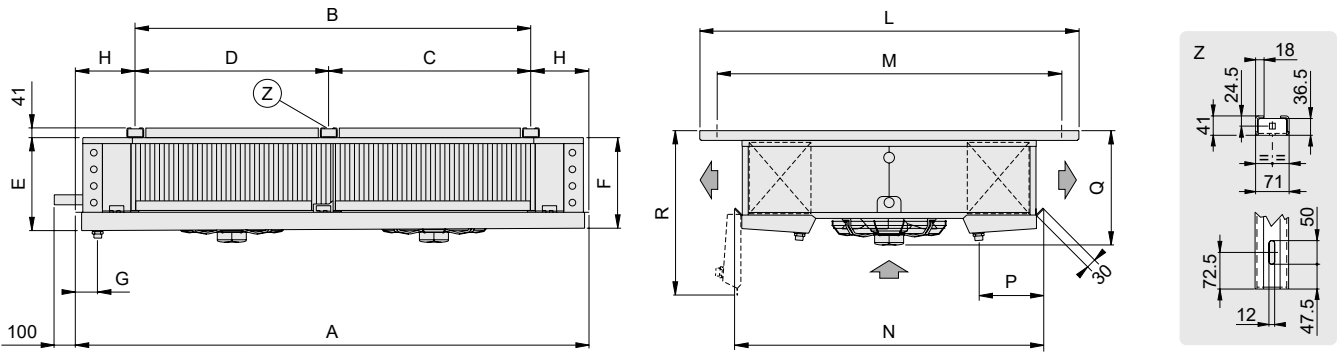


Model	CDD	21E49	22E49	22A49	23A49	24A49	25A49
Motofans	n° x Ø mm	1x230	2x230	2x230	3x230	4x230	5x230
	A	430	730	730	1030	1330	1630
	B	320	620	620	920	1220	1520
	C	172	185	185	185	185	185
	D	30	30	30	30	35	35
Net weight	kg	9.0	13.0	15.0	21.0	27.0	33.0

Model	CDD	21E49	22E49	22A49	23A49	24A49	25A49
Coil connections	In (SAE)	12	12	12	12	12	12
	Out (mm)	12	12	16	16	16	16
Drain connection	Ø (GAS)	1/2"	1/2"	1/2"	1/2"	1"	1"

Thermostatic valve with external pressure equaliser recommended

CDD4 - CDD5 Ø450 - Ø560 mm fan diameter unit



Model	CDD	41A04	41B04	42A04	42B04	43A04	43B04	52A04	52B04	53A04	53B04	54A04	54B04
		41A07	41B07	42A07	42B07	43A07	43B07	52A07	52B07	53A07	53B07	54A07	54B07
		41A10	41B10	42A10	42B10	43A10	43B10	52A10	52B10	53A10	53B10	54A10	54B10
Motorfans	n° x Ø mm	1 x 450		2 x 450		3 x 450		2 x 560		3 x 560		4 x 560	
Dimensions	A	1300		2150		3000		2760		3860		4960	
	B	814		1664		2514		2164		3264		4364	
	C	-		-		1700		1100		2 x 1100		3 x 1100	
	D	-		-		814		1064		1064		1064	
	E	406		410		415		538		543		550	
	F	400		400		400		530		530		530	
	G	85		85		85		90		90		90	
	H	243		243		243		298		298		298	
	L	1594		1594		1594		1809		1809		1809	
	M	1449		1449		1449		1664		1664		1664	
	N	1290		1290		1290		1505		1505		1505	
	P	280		280		280		280		280		280	
Q	490		490		490		680		680		680		
R	695		695		695		835		835		835		
Net weight	kg	80		145		206		250		370		498	

Model	CDD	41A04	41B04	42A04	42B04	43A04	43B04
		41A07	41B07	42A07	42B07	43A07	43B07
		41A10	41B10	42A10	42B10	43A10	43B10
Coil connections	In (mm)	12		12		12	
	Out (mm)	12		16		22	
Drain connection	Ø (GAS)	2 x 1"		2 x 1"		2 x 1"	

Model	CDD	52A04	52B04	-	-	53A04	53B04	-	-	-	54A04	54B04	
		-	-	52A07	52B07	-	53B07	53A07	-	-	54A07	54B07	
		-	-	52A10	52B10	-	-	-	53B10	53A10	54A10	54B10	
Coil connections	In (mm)	16		12		22		22		16		22	
	Out (mm)	28		22		28		22		22		28	
Drain connection	Ø (GAS)	2 x 2"		2 x 2"		2 x 2"		2 x 2"		2 x 2"		2 x 2"	

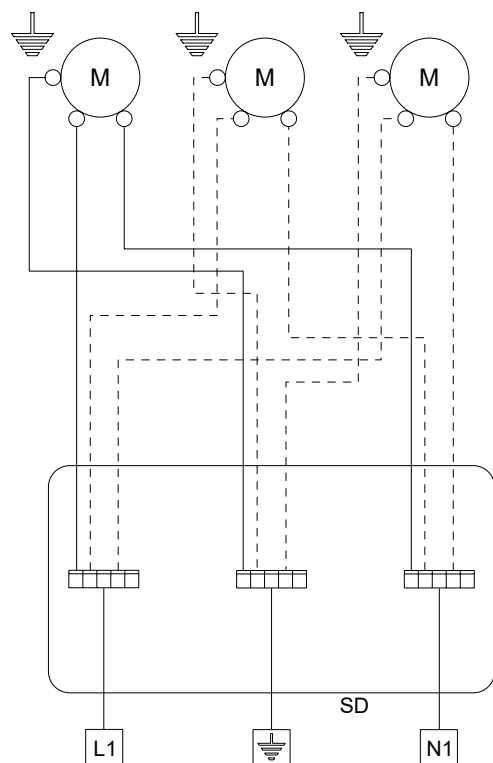
Thermostatic valve with external pressure equaliser recommended

Wiring diagrams

Motor-fan connection diagram

Important. The motors are equipped with inner thermal protection with automatic reconnection. Before using motor speed control systems verify the compatibility with the motors. Non compatible systems may damage motors or increase noise level; Modine will not be responsible for model performance with speed control systems. For fans equipped with thermal contacts (TK), these must be connected to the control circuit. For models supplied with wiring in a junction box, remove the cover to make the connection.

CDD2 Ø230 mm fan diameter unit

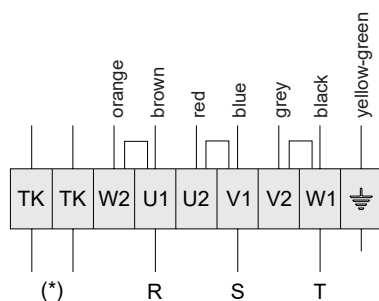


- = yellow-green
- L1 = brown
- N1 = blue
- M = motorfan
- SD = junction box - motorfans

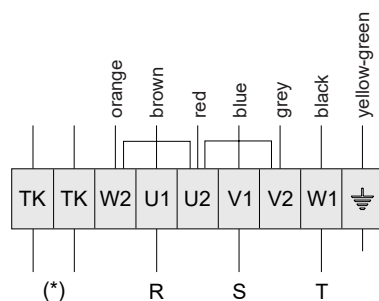
Model	CDD	21E49		22E49 22A49		- 23A49		- 24A49		- 25A49	
Motorfans	n° x Ø mm	1x230		2x230		3x230		4x230		5x230	
Frequency	Hz	50	60	50	60	50	60	50	60	50	60
Electrical consumption	A	0.35	0.35	0.70	0.70	1.05	1.05	1.40	1.40	1.75	1.75
	W	53	53	106	106	159	159	212	212	265	265
RPM		1300	1300	1300	1300	1300	1300	1300	1300	1300	1300

230V / 1 / 50-60Hz

CDD4 - Ø450 mm fan diameter unit and CDD5 - Ø560 mm fan diameter unit



400V/3/50-60Hz



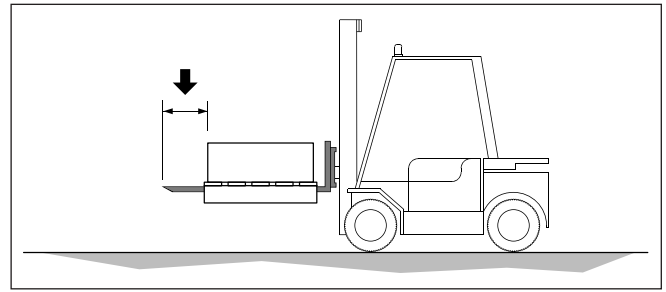
400V/3/50-60Hz

Model	CDD	41A04	41B04	42A04	42B04	43A04	43B04	52A04	52B04	53A04	53B04	54A04	54B04
		41A07	41B07	42A07	42B07	43A07	43B07	52A07	52B07	53A07	53B07	54A07	54B07
		41A10	41B10	42A10	42B10	43A10	43B10	52A10	52B10	53A10	53B10	54A10	54B10
Motorfans	n° x Ø mm	1x450		2x450		3x450		2x560		3x560		4x560	
Frequency	Hz	50		50		50		50		50		50	
Electrical consumption (high speed, Δ)	A	0.79		1.58		2.37		3.30		4.95		6.60	
	W	430		860		1290		1680		2520		3360	
RPM (high speed, Δ)		1370		1370		1370		1360		1360		1360	
Electrical consumption (low speed, Y)	A	0.53		1.06		1.59		2.10		3.15		4.20	
	W	330		660		990		1280		1920		2560	
RPM (low speed, Y)		1030		1030		1030		1090		1090		1090	

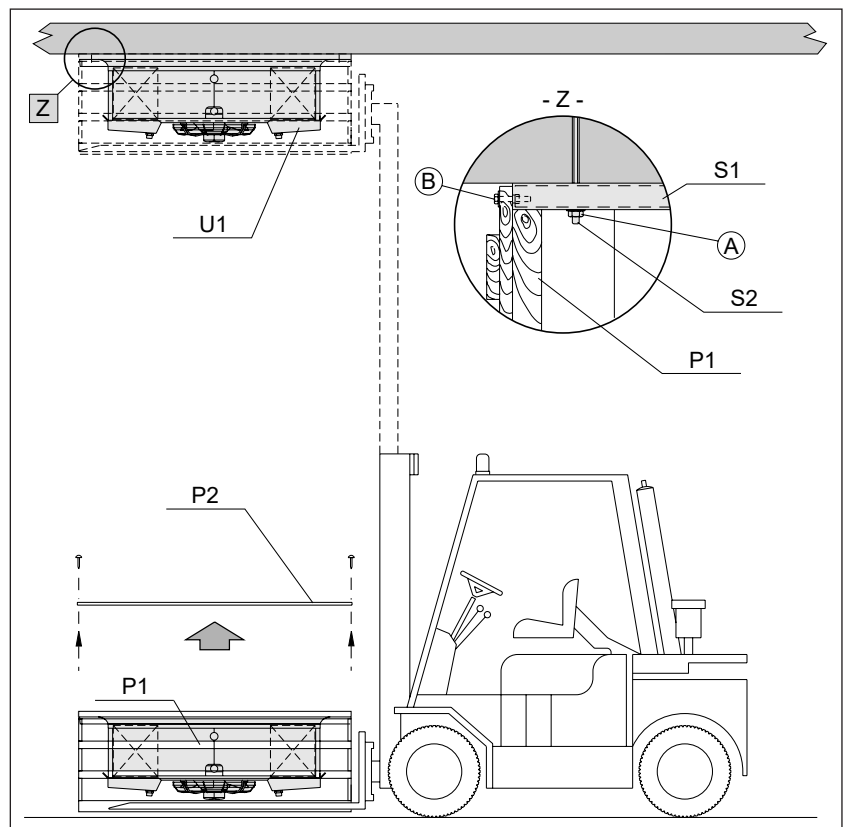
Handling and installation

- 1.1 The models are supplied in a cardboard box and/or wooden cage.
- 1.2 The packaged model must be moved by qualified personnel using a forklift truck of suitable capacity, or with crane and/or overhead crane. The lifting brackets must be longer than the depth of the packaging and/or of the model. Avoid any abrupt movement and do not stand close to the manoeuvring area. Always ensure that the models are secured to the hoists before handling operations. A heavy impact or a strong thrust can overturn the model.
- 1.3 The model must always be kept in position as indicated on the packaging.
- 1.4 Avoid applying improper pressure to the packaging during handling. Take care not to damage the headers.

- 1.5 Unpack the unit close to the installation site.
- 1.6 Always use PPE (Personal Protection Equipment) during handling and installation, e.g. gloves that are sufficiently resistant to mechanical hazards, to reduce the risk of injury in the event of contact with sharp sheet metal edges or the finned pack.
- 1.7 It is essential to take all the necessary measures to ensure the complete safety of the operators in order to prevent the model from accidentally falling against people. It is forbidden to work under a suspended load. It is advisable to prepare a structure of greater capacity than the weight to be supported (trestle or props) on which to place the model.
- 1.8 When installation is complete, remove the protective film covering the model.
- 1.9 When installation is complete, dispose of packaging according to local regulations.
- 1.10 If brackets are provided, install and maintain them for future use.
- 1.11 Instructions for ceiling installation (CDD4/CDD5 only):

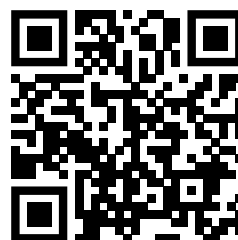


- 1.11.1 Remove package lid P2.
- 1.11.2 Set fastening rods S2 into ceiling.
- 1.11.3 Lift packaged model to ceiling.
- 1.11.4 Tighten nuts A to fastening rods S2.
- 1.11.5 Unfasten and remove safety screws B and slip down empty packaging.
- 1.11.6 Tighten fastening nuts A of model U1 up to ceiling.



Modine CIS Italy S.r.l.
 33050 Pocenia - Udine - Italy
 Via Giulio Locatelli, 22
 Tel. +39 0432.772.001
 Fax +39 0432.779.594
 www.modine.com

Link to user manuals:



<https://www.modinecoolers.com/documents/>