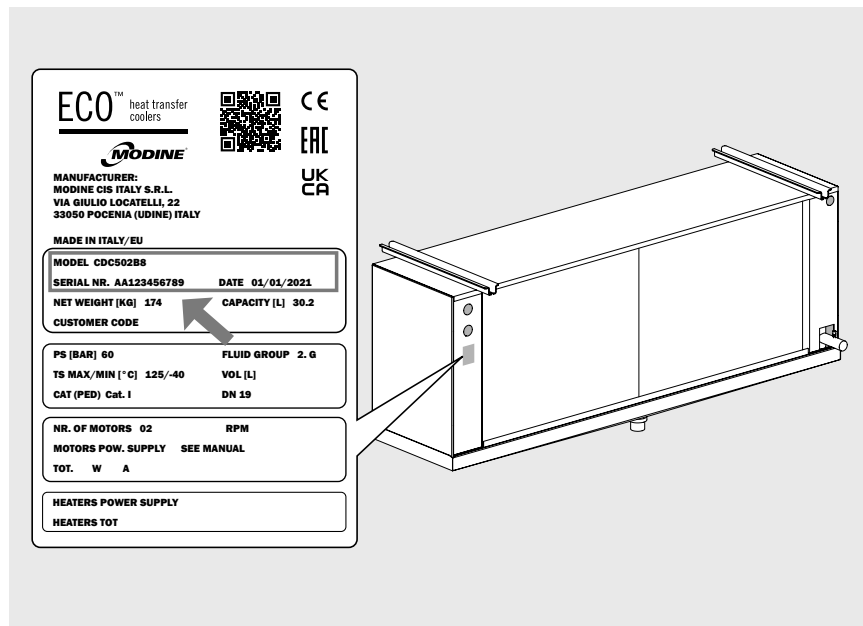


CDC

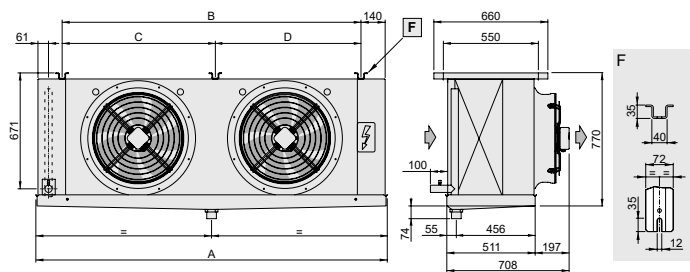
QUICK GUIDE

This document is a concise version of the model manual. This document is not meant to be a replacement of the manual. To download the full manual please scan the QRcode below or locate the data label on the model and scan the QRcode.

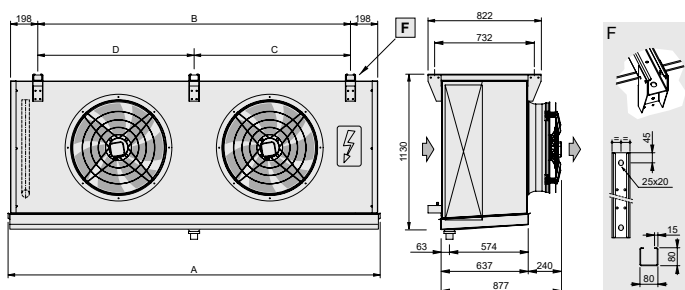


Construction and dimensional features

Ø500 fan diameter unit



Ø630 fan diameter unit

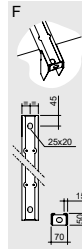
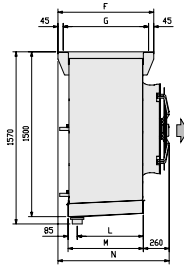
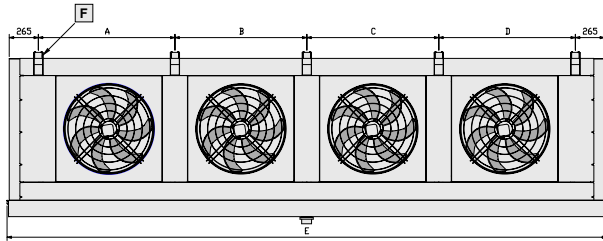


Thermostatic valve with external pressure equaliser recommended

Model	CDC	501E4	501A4	501B4	502E4	502A4	502B4	503E4	503A4	503B4	504A4	504B4
		501E6	501A6	501B6	502E6	502A6	502B6	503E6	503A6	503B6	504A6	504B6
		501E8	501A8	501B8	502E8	502A8	502B8	503E8	503A8	503B8	504A8	504B8
Motorfans	n° x Ø mm	1x500	1x500	1x500	2x500	2x500	2x500	3x500	3x500	3x500	4x500	4x500
Dimensions	A [mm]	1184	1184	1184	2034	2034	2034	2884	2884	2884	3734	3734
	B [mm]	880	880	880	1730	1730	1730	2580	2580	2580	3430	3430
	C [mm]	-	-	-	-	-	-	-	-	-	1730	1730
	D [mm]	-	-	-	-	-	-	-	-	-	1700	1700
Coil connections	In [mm]	12	12	12	12 (E4 16)	16	16	16	16	16	16	22
	Out [mm]	16	16 (A8 22)	16 (B8 22)	22 (E6 16)	22	22	22	28 (A6 22)	28	28	28
Drain connection	Ø (GAS)	2"	2"	2"	2"	2"	2"	2"	2"	2"	2"	2"
Net weight	kg	73.2	84.0	97.2	127.2	150.0	174.0	181.2	216.0	250.8	283.2	328.8

Model	CDC	631E4	631A4	631B4	632E4	632A4	632B4	633E4	633A4	633B4	634E4	634A4	634B4
		631E6	631A6	631B6	632E6	632A6	632B6	633E6	633A6	633B6	634E6	634A6	634B6
		631E8	631A8	631B8	632E8	632A8	632B8	633E8	633A8	633B8	634E8	634A8	634B8
Motorfans	n° x Ø mm	1x630	1x630	1x630	2x630	2x630	2x630	3x630	3x630	3x630	4x630	4x630	4x630
Dimensions	A [mm]	1606	1606	1606	2706	2706	2706	3806	3806	3806	4906	4906	4906
	B [mm]	1174	1174	1174	2274	2274	2274	3374	3374	3374	4474	4474	4474
	C [mm]	-	-	-	-	-	-	-	-	-	2237	2237	2237
	D [mm]	-	-	-	-	-	-	-	-	-	2237	2237	2237
Coil connections	In [mm]	12 (E4 16)	16	16	16	16 (A4 22)	22	22	22	22	22	28 (A8 22)	28
	Out [mm]	22 (E6 16)	22	22	28 (E6 22)	28	28	28	28	28	28	35	35
Drain connection	Ø (GAS)	2"	2"	2"	2"	2"	2"	2"	2"	2"	2"	2"	2"
Net weight	kg	120	150	180	210	260	320	340	440	540	450	590	720

Ø800 fan diameter unit



Thermostatic valve with external pressure equaliser recommended

Model	CDC	801A04	801B04	-	802A04	802B04	-	803A04	803B04	-	804A04	804B04	-
		801A06	801B06	801D06	802A06	802B06	802D06	803A06	803B06	803D06	804A06	804B06	804D06
		801A08	801B08	801D08	802A08	802B08	802D08	803A08	803B08	803D08	804A08	804B08	804D08
		801A10	801B10	801D10	802A10	802B10	802D10	803A10	803B10	803D10	804A10	804B10	804D10
		801A12	801B12	801D12	802A12	802B12	802D12	803A12	803B12	803D12	804A12	804B12	804D12
Motorfans	n° x Ø mm	1x800	1x800	1x800	2x800	2x800	2x800	3x800	3x800	3x800	4x800	4x800	4x800
Dimensions	A [mm]	1284	1284	1284	1242	1242	1242	1242	1242	1242	1242	1242	1242
	B [mm]	-	-	-	1242	1242	1242	1200	1200	1200	1200	1200	1200
	C [mm]	-	-	-	-	-	-	1242	1242	1242	1200	1200	1200
	D [mm]	-	-	-	-	-	-	-	-	-	1242	1242	1242
	E [mm]	1855	1855	1855	3055	3055	3055	4255	4255	4255	5455	5455	5455
	F [mm]	872	872	1002	872	872	1002	872	872	1002	872	872	1002
	G [mm]	782	782	912	782	782	912	782	782	912	782	782	912
	H [mm]	600	600	730	600	600	730	600	600	730	600	600	730
Coil connections	In [mm]	16 22 (A06)	16	22	22 28.57 (A06)	22	28.57	16 [2x] (A06) 22 (A10) 22 (A12)	28.57	16 [2x]	16 [2x] (A06) 16 [2x] (A08) 28.57 (A10) 28.57 (A12)	22 [2x] (B12)	22 [2x]
	Out [mm]	22 28.57 (A06)	22	28.57	28.57 34.92 (A06)	28.57	34.92	22 [2x] (A06) 28.57 (A10) 28.57 (A12)	34.92	22 [2x]	22 [2x] (A06) 22 [2x] (A08) 34.92 (A10) 34.92 (A12)	22 [2x] (B12)	28.57 [2x] 28.57 [2x]
Drain connection	Ø (GAS)	2"	2"	2"	2"	2"	2"	3"	3"	3"	3"	3"	3"
Net weight	kg	270 (A04)	295 (B04)	-	450 (A04)	500 (B04)	-	625 (A04)	700 (B04)	-	810 (A04)	905 (B04)	-
		265 (A06)	280 (B06)	350 (D06)	440 (A06)	485 (B06)	595 (D06)	605 (A06)	675 (B06)	835 (D06)	785 (A06)	875 (B06)	1085 (D06)
		265 (A08)	290 (B08)	350 (D08)	440 (A08)	450 (B08)	600 (D08)	610 (A08)	680 (B08)	840 (D08)	790 (A08)	880 (B08)	1090 (D08)
		260 (A10)	280 (B10)	340 (D10)	430 (A10)	470 (B10)	580 (D10)	595 (A10)	655 (B10)	810 (D10)	770 (A10)	850 (B10)	1050 (D10)
		255 (A12)	275 (B12)	335 (D12)	425 (A12)	465 (B12)	565 (D12)	585 (A12)	645 (B12)	790 (D12)	755 (A12)	835 (B12)	1025 (D12)

Wiring diagrams

Motor-fan connection diagram

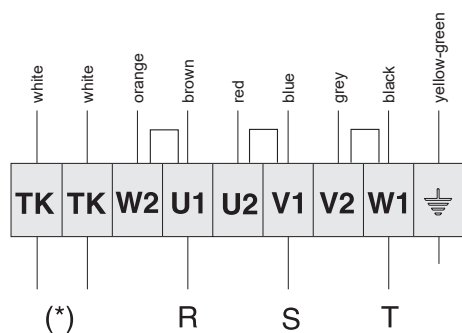
Important. The motors are equipped with inner thermal protection with automatic reconnection. Before using motor speed control systems verify the compatibility with the motors. Non compatible systems may damage motors or increase noise level; Modine will not be responsible for model performance with speed control systems. For fans equipped with thermal contacts (TK), these must be connected to the control circuit. For models supplied with wiring in a junction box, remove the cover to make the connection.

Model	CDC	501E4	501A4	501B4	502E4	502A4	502B4	503E4	503A4	503B4	504A4	504B4
		501E6	501A6	501B6	502E6	502A6	502B6	503E6	503A6	503B6	504A6	504B6
		501E8	501A8	501B8	502E8	502A8	502B8	503E8	503A8	503B8	504A8	504B8
Motorfans	n° x Ø mm	1x500			2x500			3x500			4x500	
Frequency	Hz	50	60		50	60		50	60		50	60
400V, ~3, Δ												
Electrical consumption	A	1.70	1.90		3.40	3.80		5.10	5.70		6.80	7.60
	W	770	1100		1540	2200		2310	3300		3080	4400
RPM		1300	1400		1300	1400		1300	1400		1300	1400
400V, ~3, Y												
Electrical consumption	A	0.84	0.88		1.68	1.76		2.52	2.64		3.36	3.52
	W	490	600		980	1200		1470	1800		1960	2400
RPM		1025	980		1025	980		1025	980		1025	980
460V, ~3, Δ												
Electrical consumption	A	-	2.00		-	4.00		-	6.00		-	8.00
	W	-	1200		-	2400		-	3600		-	4800
RPM		-	1480		-	1480		-	1480		-	1480
460V, ~3, Y												
Electrical consumption	A	-	0.90		-	1.80		-	2.70		-	3.60
	W	-	700		-	1400		-	2100		-	2800
RPM		-	1100		-	1100		-	1100		-	1100

Model	CDC	631E4	631A4	631B4	632E4	632A4	632B4	633E4	633A4	633B4	634E4	634A4	634B4
		631E6	631A6	631B6	632E6	632A6	632B6	633E6	633A6	633B6	634E6	634A6	634B6
		631E8	631A8	631B8	632E8	632A8	632B8	633E8	633A8	633B8	634E8	634A8	634B8
Motorfans	n° x Ø mm	1x630			2x630			3x630			4x630		
Frequency	Hz	50	60	50	60	50	60	50	60	50	60	50	60
400V, ~3, Δ													
Electrical consumption	A	3.70	4.80	7.40	9.60	11.10	14.40	14.80	19.20				
	W	1750	2800	3500	5600	5250	8400	7000	11200				
RPM		1400	1580	1400	1580	1400	1580	1400	1580	1400	1580	1400	1580
400V, ~3, Y													
Electrical consumption	A	2.20	3.00	4.40	6.00	6.60	9.00	8.80	12.00				
	W	1350	1800	2700	3600	4050	5400	5400	7200				
RPM		1210	1210	1210	1210	1210	1210	1210	1210	1210	1210	1210	1210
460V, ~3, Δ													
Electrical consumption	A	-	4.60	-	9.20	-	13.80	-	18.40				
	W	-	2900	-	5800	-	8700	-	11600				
RPM		-	1640	-	1640	-	1640	-	1640	-	1640	-	1640
460V, ~3, Y													
Electrical consumption	A	-	3.00	-	6.00	-	9.00	-	12.00				
	W	-	2100	-	4200	-	6300	-	8400				
RPM		-	1330	-	1330	-	1330	-	1330	-	1330	-	1330

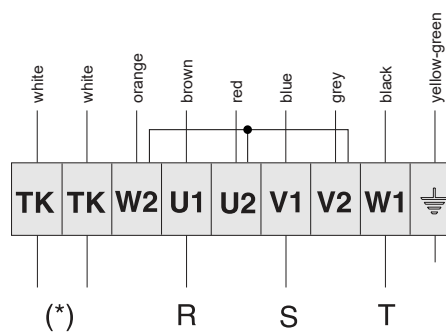
Model	CDC	801A04	801B04	-	802A04	802B04	-	803A04	803B04	-	804A04	804B04	-
		801A06	801B06	801D06	802A06	802B06	802D06	803A06	803B06	803D06	804A06	804B06	804D06
		801A08	801B08	801D08	802A08	802B08	802D08	803A08	803B08	803D08	804A08	804B08	804D08
		801A10	801B10	801D10	802A10	802B10	802D10	803A10	803B10	803D10	804A10	804B10	804D10
		801A12	801B12	801D12	802A12	802B12	802D12	803A12	803B12	803D12	804A12	804B12	804D12
Motorfans	n° x Ø mm	1x800			2x800			3x800			4x800		
Frequency	Hz	50			50			50			50		
400V, ~3, Δ													
Electrical consumption	A	3.90			7.80			11.70			15.60		
	W	1900			3800			5700			7600		
RPM		870			870			870			870		
400V, ~3, Y													
Electrical consumption	A	2.00			4.00			6.00			8.00		
	W	1100			2200			3300			4400		
RPM		630			630			630			630		

Standard wiring diagram - 400V, ~3, Δ



(*) Internal protective thermal contacts

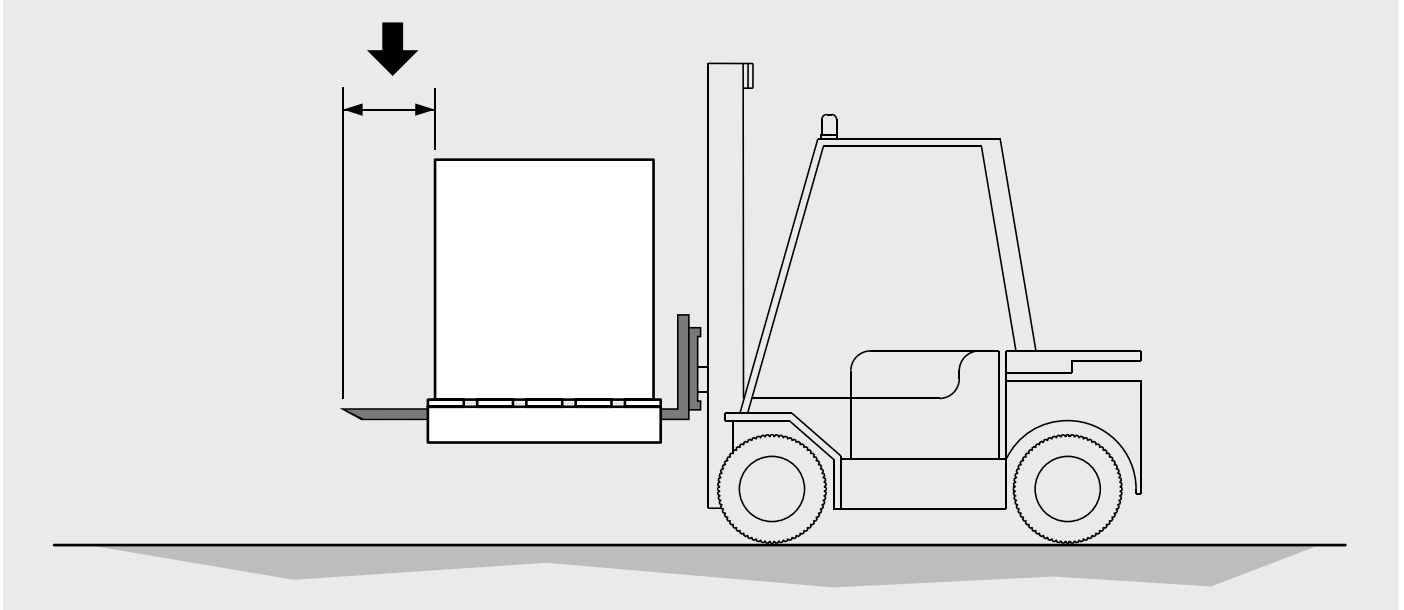
Standard wiring diagram - 400V, ~3, Y



(*) Internal protective thermal contacts

Handling and installation

- 1.1 The models are supplied in a cardboard box and/or on a pallet and/or in a wooden crate.
- 1.2 The packaged model must be moved by qualified personnel using a forklift truck of suitable capacity, or with crane and/or overhead crane. The lifting brackets must be longer than the depth of the packaging and/or of the model. Avoid any abrupt movement and do not stand close to the manoeuvring area. Always ensure that the models are secured to the hoists before handling operations. A heavy impact or a strong thrust can overturn the model.

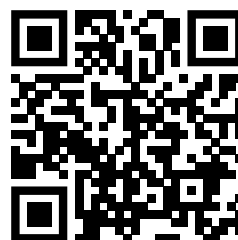


- 1.3 The model must always be kept in position as indicated on the packaging.
- 1.4 Avoid applying improper pressure to the packaging during handling. Take care not to damage the headers.
- 1.5 Unpack the unit close to the installation site.
- 1.6 Always use PPE (Personal Protection Equipment) during handling and installation, e.g. gloves that are sufficiently resistant to mechanical hazards, to reduce the risk of injury in the event of contact with sharp sheet metal edges or the finned pack.
- 1.7 It is essential to take all the necessary measures to ensure the complete safety of the operators in order to prevent the model from accidentally falling against people. It is forbidden to work under a suspended load. It is advisable to prepare a structure of greater capacity than the weight to be supported (trestle or props) on which to place the model.
- 1.8 When installation is complete, remove the protective film covering the model.
- 1.9 When installation is complete, dispose of packaging according to local regulations.
- 1.10 If brackets are provided, install and maintain them for future use.
- 1.11 For further details, please refer to the model manual.



Modine CIS Italy S.r.l.
 33050 Pocenia - Udine - Italy
 Via Giulio Locatelli, 22
 Tel. +39 0432.772.001
 Fax +39 0432.779.594
 www.modine.com

Link to user manuals:



<https://www.modinecoolers.com/documents/>