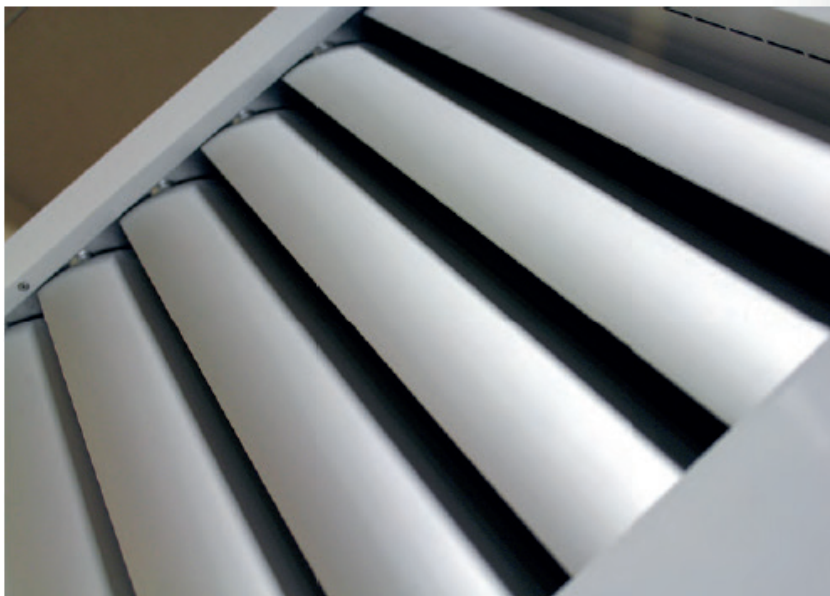




Air Unit Headers ATDA, ATDG
Combined Air Unit Heater/Cooler ATDC

Contents

Contents	Page
About us.....	2
Product description.....	3-5
EC Fans.....	6
Installation package.....	7
E0.....	8
E1.....	9
E2.....	10
E3.....	11
Control and regulating equipment.....	12
Control and regulating equipemnt.....	13-17
Technical data	
ATDA.....	18
ATDC.....	20
ATDG.....	22
Dimensions and weight	
ATDA.....	23
ATDC.....	24
ATDG.....	25
Accessories.....	26
Installation instructions.....	28
Code keys ATD.....	29
Code keys Accessories.....	30
Spare parts.....	30



About Us

For more than 100 years, Modine Manufacturing Company has been leading the way in thermal management. We provide the commercial, industrial and vehicular markets with trusted systems and solutions to manage heating and cooling and improve air quality. We're at work in practically every corner of the world, inside the things you see every day.

QUALITY AND ENVIRONMENT - PRIORITIES

Since we deliver heat exchangers that are components in larger projects, we know the importance of delivery reliability. The products must be delivered on time, to the right location, and with the right quality. Continual testing and validation at our development and test facilities ensure that our products on the leading edge of the market, and that they meet stated specifications.

Several of our products have an active function in ensuring reduced energy consumption and better indoor environment. We proceed in a deliberate, structured way to protect the environment during its production lifespan -- from development to production, use, decommissioning, and recycling.

The Modine management system is ISO 9001, ISO 14001, and ISO 3834-2 certified.

Feel free to contact Modine Söderköping to get the best support for your project where we can help in dimensioning. See the contact data at the end of the catalogue.

USE COILS TO SELECT THE RIGHT AIR HEATER OR COOLER UNIT

COILS is a flexible and user friendly product selection program that makes choosing the right heater/cooler unit simpler. You can let COILS choose the product or set requested size and power.

COILS - Functions:

- Eight display languages.
- Set air humidity in each unit.
- Set fluid flow in each unit
- Most antifreeze fluids can be selected in the program.
- This considers elevation above sea level and air pressure.
- You can also select accessories separately or include them with the product.
- Printouts with performance and data for noise levels, weight, volume and price.
- Language selection option for the printout regardless of display language.
- You can save your calculations for later revision.
- Installation instructions and user manuals available in COILS.



Product Description

PRODUCT ASSORTMENT

Air unit heaters ATDA, ATDC, and ATDG are designed for heating and ventilation in industrial, workshop, store, and warehouse spaces, garages, super/hyper markets, and similar enclosed spaces. These products all include modern new developed control equipment for regulating fan speed, and fluid valves.

The ATD series is available in several designs and implementations;

- ATDA for hot water.
- ATDG for steam.
- ATDC for hot or cold water, designed to heat or cool air and to allow draining condensation when cooling.

Every type of ATD heat exchangers has aluminium fins with copper piping as standard for normal indoor environments.

You can choose other materials for corrosive environments.

DESIGN

The air heater units' housing is made of corrosion resistant white enamelled sheet or stainless steel EN 1.4301 compliant or acid-proof sheet, EN 1.4404 compliant. The housing can be opened for cleaning, the top and bottom are easy to demount on site. Pipe are on the sides of the product. The ATDA and ATDC have flush connections as standard. Valves with threaded compression fittings available as accessories. The ATDG connections have external threads as standard. The fan unit with high efficiency EC motors, impeller with safety grating, and built-in control electronics designed as a compact and composite unit.



GENERAL SPECIFICATIONS

- Modern design with rounded and flush steel sheet surfaces.
- Easily opened for internal cleaning.
- Air current deflectors are standard.
- High efficiency. Fan unit with high efficiency EC motor compliant with the latest EU directives and future proofed for planned directives.
- Very high efficiency for lowest energy consumption. Up to 75% energy savings compared to traditional AC motors.
- Newly developed control equipment for optimized fan and valve regulation ensures the lowest sound level.
- Complies with EU requirements regarding machinery safety MD 2006/42/EC.
- Large assortment of accessories.

Product Description

MATERIAL SURFACE TREATMENT

Housing

Made with white enamelled hot dip galvanized steel sheet as standard, also available as stainless steel. EN 1.4301 or acid-resistant under EN 1.4404. ATDC always delivered with stainless steel drain pan with threaded outlet at the bottom.

Heat exchangers

ATDA and ATDG delivered with heat exchangers made with copper pipes with aluminium fins. Other material can be selected for corrosive environments. ATDC delivered with heat exchangers made with copper pipes with hydrophilic fins. The hydrophilic fin causes any condensation on the heat exchanger fins is channelled to the drain pan. The hydrophilic fin also has better corrosion protection compared to the aluminium fins.

Connection

ATDA and ATDC have copper tube headers with smooth connections \varnothing 22 mm for brazed joints or compression rings. ATDG has threaded pipe connections for steam and condensate.

Fan unit

The fan unit with high efficiency EC motors, impeller with safety grating, and built-in control electronics designed as a compact and composite unit. Impeller, inlet ring, and protective grille are made of high-strength composite material or steel depending on the fan size. All fan motors are protection class IP54.

Highest dimensioned air temperature is:

50 °C for size 30

50 °C for size 40

60 °C for size 50 och 60.



ATDG for steam.



ATDA with valve and actuator.

SIZES

ATDA and ATDC are available in four physical sizes and the ATDG is available in three sizes.

The products are available in various capacity variants for different air flows and power needs that cover most operating modes.

ATDA: 31, 32, 33, 42, 43, 52, 53, 63

ATDC: 33, 43, 53, 63

ATDG: 31, 41, 51

INSTALLATION OPTIONS

The ATDA can be mounted for horizontal and vertical air flows. Both ATDC and ATDG can only be mounted for horizontal air flow. Brackets are included for every ATD, to choose between wall or ceiling installation.

White enamelled ATD are delivered with enamelled brackets. Stainless steel and acid-proof ATD are delivered with acid-proof brackets.

ACCESSORIES

See the section on page 30 for a complete list of accessories.



ATDA with brackets ATDZ-03.



ATDA with brackets ATDZ-10.



EC Fans

ENERGY EFFICIENT FAN UNITS AND CONTROLS

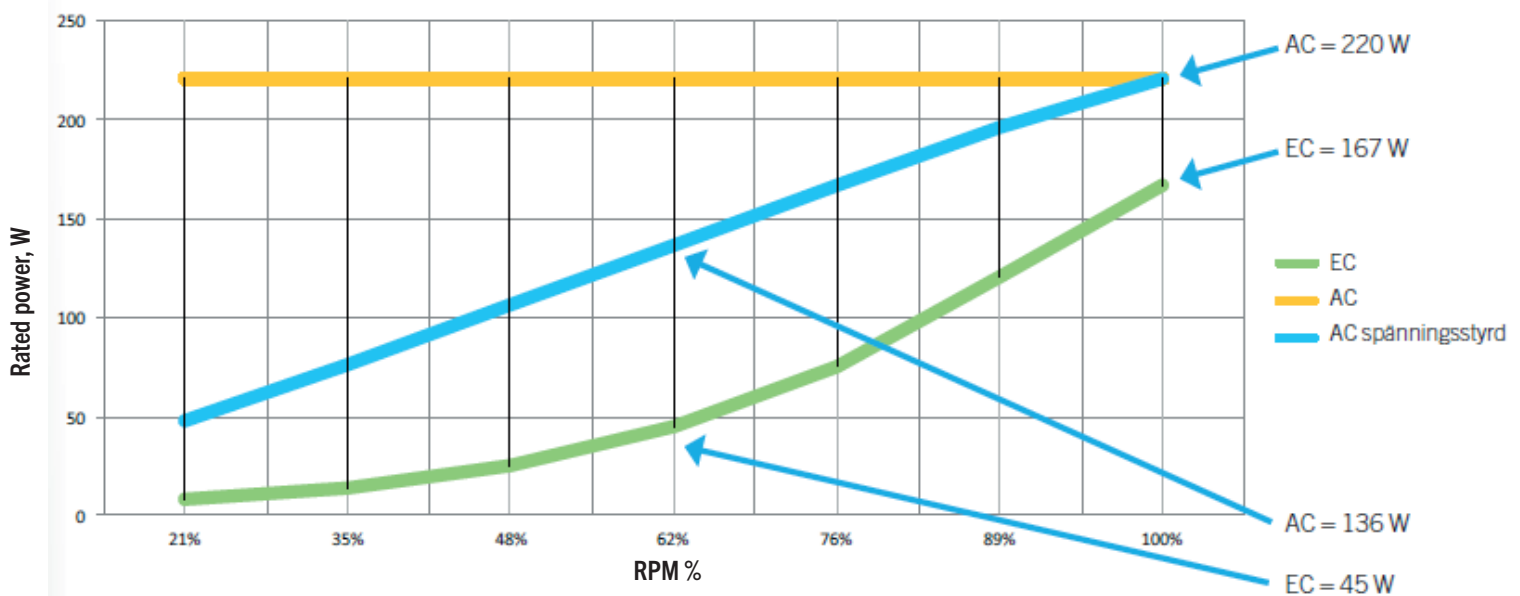
The air heating units are delivered with ZIEHL-ABEGG fan units with single phase 230V 50Hz EC-Blue motors. All motors have built-in speed regulator and are controlled by 0-10V signals from separate control equipment.

ADVANTAGES WITH EC TECHNOLOGY

EC-Blue motors from Ziehl-abegg are fully compliant with all relevant energy efficiency EU directives. Efficiency levels for the EC-Blue motors exceed the requirements for IE4 Class products (Super Premium Efficiency). These fans provide excellent efficiency, particularly running at partial loads with low to medium speeds. Comparing EC to AC for external rotor motors shows that 1 ~ EC-Blue motors achieve an energy efficiency levels of up to 93% compared to AC which achieve up to 77%. The fans are controlled by the Modine room thermostat with PI control to optimize fan speed and valve control. The thermostat enables communication via Modbus, BACnet or EXOline for being built into the system. Together, this unique solution provided up to 75% energy savings compared to traditional AC motors.



RATED POWER AT FULL SPEED AND REGULATED SPEEDS, AC VS. EC



Installation Package

To help in selecting the control equipment, we have prepared a complete package solution for the most common control options. The installation package you select can naturally be combined with other accessories. See the accessories section on pages 26, 27 and 30. The components in the installation package are also sold separately as accessories.



INSTALLATION PACKAGE - USES

E1 - Entrances, warehouse premises, smaller workshops, garages.

E2 - Entrances, workshops, shopping centres, sports venues, auto showrooms.

E3 - Entrances, offices, schools, shopping centres, airports, hotels, hospitals, sports venues, auto showrooms, and more where stricter requirements are necessary, as on regulation and capability to connect to the mains.

OVERVIEW, FUNCTIONS

E0	Basic design without control equipment. Delivered only for installation in systems with more than one air heating units already having with control equipment. Valve and actuator can be purchased separately depending on the current installation
E1	For manual switching to 5 set speeds and shut-off. Open valve, adjustable kvs for sizes 30 and 40.
E2	Temperature control air flow regulation using stepless fan speed regulation. Open valve, adjustable kvs for sizes 30 and 40.
E3	Temperature control air flow regulation using stepless fan speed regulation, and control of fluid valve. Ready for network connection.

Product / Control and regulation accessories	E0	E1 (ATDZ-100-EC)	E2 (ATDZ-200-EC)	E3 (ATDZ-322-EC)
Suitable for air unit heater ATDA for water	X	X	X	X
Suitable for air unit heater ATDC for water	X	X	X	X
Suitable for air unit heater ATDG for steam	X	X	X	
Brackets for wall or ceiling mount included	X	X	X	X
Speed selector, manual selection between 5 fixed speeds on a knob.	-	X	-	-
Regulator with automatic speed control	-	-	X	X
Built in communication in the regulator	-	-	-	X
Switch between AUTO and 3 fixed speeds on the display. Low, medium, high.	-	-	-	X
Lighted display	-	-	-	X
Possible to set a lowest and highest speed on installation.	-	-	X	X
Built in air temperature thermostat	-	-	X	X
Ready to connect separate room thermostat	-	-	-	X
Manual valve control	*	X	X	-
Automatic valve control	*	-	-	X
Including fluid valve	*	X	X	X
Including actuator for automatic valve control	*	-	-	X
Enabled for controlling heating or cooling requirements	-	-	X	X
Modbus communication	-	-	-	X
BACNET communication	-	-	-	X
EXoline communication	-	-	-	X
Documentation	X	X	X	X

*--Valve and actuator for E0 can be purchased separately depending on the current installation.

Basic Design E0

ATD air unit heater is always delivered with brackets for wall or ceiling mount. You have several installation options to choose from, see page 28 for choice of brackets. The brackets have the same material as the product housing.

Basic design (without control equipment), contains:

Air unit heater ATDA-aa-1-cc-E0-4

Bracket ATDZ-03-bb-c eller ATDZ-10-bb-c

Instructions for use, mounting, installation and care instructions.

See the code keys for choice of material and accessories on page 29.

NOTE

Valve and actuator for E0 can be purchased separately depending on the current installation. If this will be connected together with other air heating units that have E1 or E2 control equipment, then only the valve is purchased.

See page 12.



ATDA med konsol ATDZ-03.



ATDA med konsol ATDZ-10 endast till storlek 30, 40 och 50.

Installation Type E1

E1 INCLUDES:



FUNCTION

The type E1 speed selector is appropriate for entrances, warehouse spaces, smaller workshops and garages. For manual switching to 5 set speeds and shut-off. For heating, the speed selector is set at the desired positions and the air heating unit EC fan is started. For faster heating, set the selector at position 5. When the space is heated, lower the fan speed so it runs at low or medium speed to maintain the temperature. If the desired heating is reached, the selector should be set at zero, whereby the fan stops.

COMPLETE DELIVERY E1 INCLUDES:

Air unit heater	ATDA-aa-1-cc-E1-4
Bracket	ATDZ-03-bb-c or ATDZ-10-bb-c
Speed selector IP 54, 0...10V	ATDZ-100-EC
Valve, open	ATDZ-017-1-1 or ATDZ-017-2-1 ATDZ-017-1-1 för ATDA-3x and -4x with adjustable kvs ATDZ-017-2-1 för ATDA-5x and 6x with kvs = 4,0
Instructions for use	Mounting, installation and care instructions.

See the code keys for choice of material and accessories on page 29.



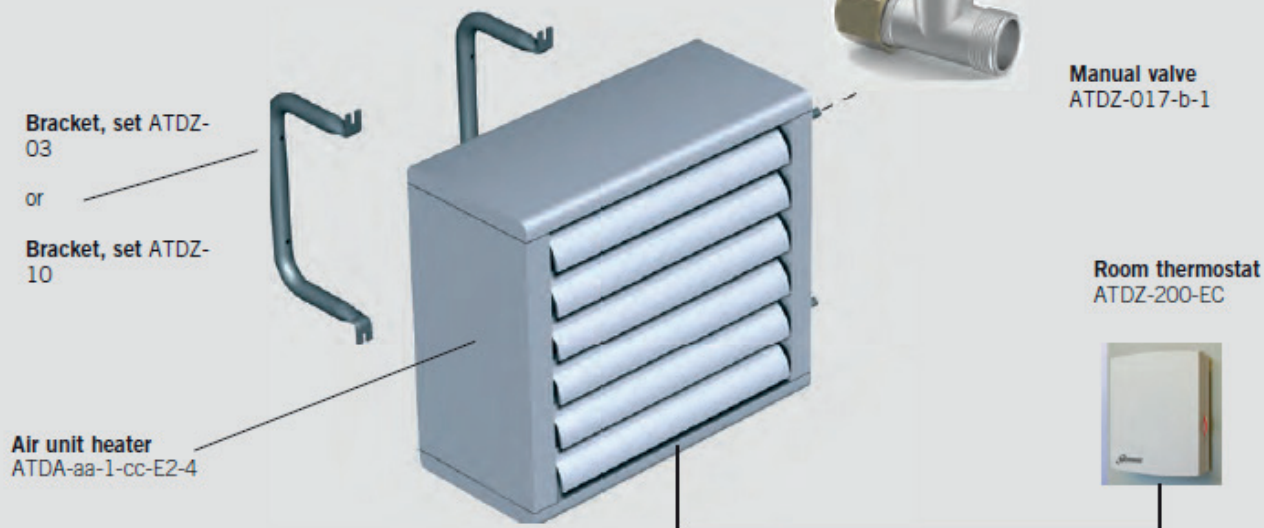
ATDA with wall bracket ATDZ-03.



ATDA with ceiling bracket ATDZ-10 only for sizes 30, 40 and 50.

Installation Type E2

E2 INCLUDES:



FUNKTION

Control type E2 is appropriate for entrances, warehouse spaces, shopping centres, sports venues, auto showrooms. Set the desired temperature using the thermostat on the right side of the casing. When the thermostat senses a heating requirement through the built-in sensor, a signal is sent, and the air heating unit EC Fan is started. When the temperature in the space approaches the setpoint value, the fan speed will decrease steplessly until the set temperature is reached. When the space is heated, the set temperature is reached, the fan will stop. If the temperature in the space decreases, the fan will restart and heat up the space until the set temperature is reached.

COMPLETE DELIVERY E2 INCLUDES:

Air unit heater	ATDA-aa-1-cc-E2-4
Bracket	ATDZ-03-bb-c or ATDZ-10-bb-c
Speed selector IP 30, 1 fas 230 V	ATDZ-200-EC
Valve, open	ATDZ-017-1-1 or ATDZ-017-2-1 ATDZ-017-1-1 for ATDA-3x and -4x with adjustable kvs ATDZ-017-2-1 för ATDA-5x and 6x with kvs = 4,0
Instructions for use	Mounting, installation and care instructions

See the code keys for choice of material and accessories on page 29.



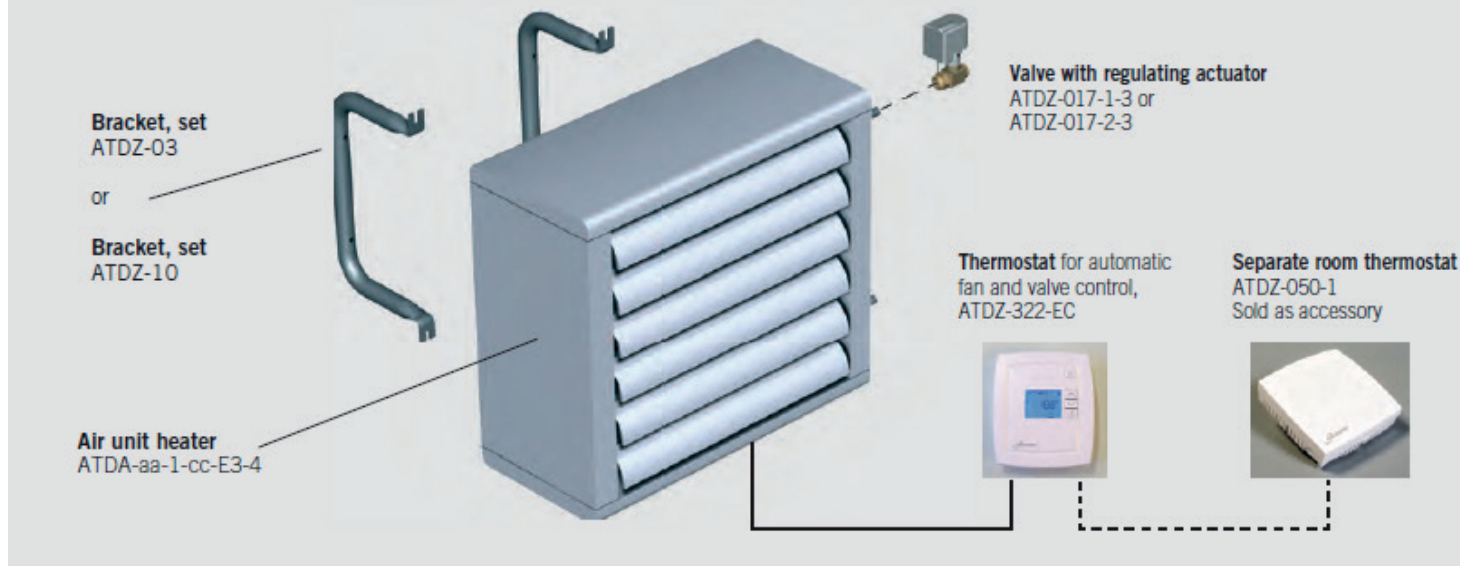
ATDA with wall bracket ATDZ-03.



ATDA with ceiling bracket ATDZ-10 only for sizes 30, 40 and 50.

Installation Type E3

E3 INCLUDES:



FUNCTION

Control type E3 is appropriate for entrances, offices, schools, shopping centres, airports, hospitals, sports venues, auto showrooms and more.

Set the desired temperature using the thermostat buttons to the right of the display. The setpoint displays when adjusting, then the temperature in the premises displays. When the thermostat senses a heating requirement through the built-in sensor, a signal is sent, and the air heating unit EC Fan is started. When the temperature in the space approaches the setpoint value, the fan speed will decrease steplessly until the set temperature is reached. When the space is heated, the set temperature is reached, the fan will stop. If the temperature in the space decreases, the fan will restart on low speed and heat up the space until the set temperature is reached. The fan speed can also be set manually to three speeds using buttons on the thermostat.

COMPLETE DELIVERY E3 INCLUDES:

Air unit heater	ATDA-aa-1-cc-E3-4
Bracket	ATDZ-03-bb-c or ATDZ-10-bb-c
Speed selector IP 20, 1 phase 230 V	ATDZ-322-EC
Valve with controlling actuator	ATDZ-017-1-1 or ATDZ-017-2-1 ATDZ-017-1-1 for ATDA-3x and -4x with adjustable kvs ATDZ-017-2-1 for ATDA-5x and 6x with kvs = 4,0
Instructions for use	Mounting, installation and care instructions
See the code keys for choice of material and accessories on page 29.	



ATDA with wall bracket ATDZ-03.



ATDA with ceiling bracket ATDZ-10 only for sizes 30, 40 and 50.



Hint: Separate room thermostat ATDZ-050-1. See page 18.

Controls and Regulating Equipment



Speed selector
ATDZ-100-EC



Room thermostat for temperature
ATDZ-200-EC



Room thermostat for temperature
with display and communication
ATDZ-322-EC

ACCESSORIES CONTROL AND REGULATION EQUIPMENT



Room thermostat
ATDZ-050-1



Valve and actuator, set
ATDZ-017-1-3



Valve
ATDZ-017-1-1



Actuator
ATDZ-017-1-2



Valve and actuator, set
ATDZ-017-2-3



Valve
ATDZ-017-2-1



Actuator
ATDZ-017-2-2

Control and Regulation Equipment

CONTROL UNIT ATDZ-100-EC

SPEED SELECTOR

For manual switching to 5 set speeds and shut-off. Fits all sizes of ATDA, ATDG and ATDC. Plastic housing that can be mounted vertically on walls.

FUNCTIONAL DESCRIPTION

5 step potentiometer for activating the EC fan. The potentiometer is supplied 10 V from the EC fan. Depending on the set dial position, the potentiometer returns a control voltage of 0-10 V for controlling speed. Operational status displays on an integrated LED.

SIMPLE MOUNTING

The unit is suited for mounting on walls and is supplied with 10 V from the fan, no transformer necessary.

5-STEP SWITCH

To set five starting voltage levels.
Setting 0/1/2/3/4/5 = 0/2/4/6/8/10 V

PARALLEL CONNECTION

Not more than two air heating units with EC-Blue fans can be run parallel on a single ATDZ-100-EC.

ADJUSTABLE OUTPUT VOLTAGE

Max. output voltage 10 V is the factory setting at switch position 5. You can lower output voltage up to 25% using a built-in potentiometer. You can choose to lower the control voltage only for positions 1 - 4 or also lower for position 5.

OPERATING INDICATORS BY LED

Built in indicators: LED shines for positions 1 - 5.
External indicators: Assisted by an incoming potential-free contact or by an open collection outlet, the status for an external unit can be displayed by LED.



TECHNICAL DATA

Type	Speed selector
Item no.	ATDZ-100-EC
Supply voltage	10 V DC (+10%)
Max. Rated current	approx. 7,5 mA
Max. Load outlet	0...10 V 0,1 mA
Housing	PC (polycarbonate)
	Fire safety rating UL94V0
Position for use	Vertical
Ingress protection rating	IP54
Weight	approx. 200g
Permitted temperature range	for operation -25...70 °C
Permitted temperature range	for storage and transport -30...85 °C
Permitted relative humidity	85%, non-condensing
Maximum connection area for the terminals	1,5 mm ² /AWG16

Control and Regulation Equipment

CONTROL UNIT ATDZ-200-EC

ROOM THERMOSTAT FOR TEMPERATURE

ATDZ-200-EC is a separate operating unit with discrete and sleek style design that includes both thermostat and regulator. This saves you buying a component, so your installation is easier and less costly. Adjustable setpoints, P-band and I-time. Plastic housing that can be mounted vertically on walls.

FUNCTIONAL DESCRIPTION

ATDZ-200-EC is a simple room thermostat to use for air management or on-demand controlled ventilation. Discrete and sleek style design to match any indoor environment. The regulator controls the air unit heater EC fan via a 0...10 V signal. Set the desired temperature using the thermostat on the right side of the casing. The fan speed increases or decreases steplessly in relation to the heating needs in your premises. When the set temperature is reached, the fan will stop. Adjustable for controlling both heating and cooling. To make the adjustment simply shift the setting of a trigger inside the thermostat.

SIMPLE MOUNTING

The unit is suited for mounting on a standard appliance box and is supplied with 230 V, no transformer necessary.

SETTINGS

P-band and I-time are set using a rotary switch under the cover. The maximum or minimum fan speed can be limited using a voltage range set with the MIN and MAX knobs. MIN sets the lowest voltage possible for the fan (0...5 V), MAX sets the highest voltage (5...10 V). The PI control will then function within the set MIN and MAX values.

PARALLEL CONNECTION TO RUN MORE THAN ONE HAIR HEATER

Not more than 15 air heating units with EC-Blue fans can be run parallel on a single ATDZ-200-EC.



TECHNICAL DATA

Type	Room thermostat
Item no.	ATDZ-200-EC
Supply voltage	110...240 V AC, 50/60 Hz
Rated current	Max. 0,46 W
Operating temperature	0...50 °C, 10...90% RH (non-condensing)
Outlets	1 analogue outlet 0...10 V (max. 1 mA)
Measurement range	0...50 °C
Dimensions (BxHxD)	88 x 100 x 30,5 mm
Installation	Wall mounting*
Protection class	IP30
Enclosure class	II

*The unit must be installed on a wall. Installation with spacing that provides access to the back side of the unit is not allowed.

Control and Regulation Equipment

CONTROL UNIT ATDZ-322-EC

ROOM THERMOSTAT FOR TEMPERATURE WITH DISPLAY AND COMMUNICATION

ATDZ-322-EC is an advanced room thermostat to use for air management or on-demand controlled ventilation. Discrete and sleek style design to match any indoor environments and is especially suitable to use in premises intended to provide high comfort and low energy consumption, as in offices, schools, shopping centres, airports, hospitals and more.

Detached unit that includes thermostat, display and PI control for stepless fan speed and valve control. Manually select 3 fan speeds and AUTO setting. Plastic housing that can be mounted vertically on walls.

FUNCTIONAL DESCRIPTION

Lighted display for viewing fan speed, indoor temperature and specified setpoint value on adjustment. Buttons on the panel for switching from manual setting the fans speed to AUTO. The regulator controls the air unit heater EC fan via a 0...10 V signal and regulates the fluid temperature via thermal actuator on the fluid valve. Set the desired temperature using buttons on the right side of the display. The fan speed increases or decreases steplessly in relation to the heating needs in your premises. When the set temperature is reached, the fan will stop and valve will close. The thermostat is adjustable for controlling both heating and cooling.

SIMPLE MOUNTING

The unit is suited for mounting on a standard appliance box and is supplied with 230 V, no transformer necessary.

SETTINGS

The thermostat is pre-set to control heating requirements with the connected dual position fluid valve. Adjusting the parameters using the menu system, as when setting P-band and I-time, or a limit to the max. and min. fan speed.

COMMUNICATION PROTOCOL

The room thermostat has automatic detection and switching for Modbus and EXOline. BACnet can be set manually from the display or by PC Regio tool© software.

BUILT-IN OR EXTERNAL THERMOSTAT

The regulator has built-in thermostat. Or you can connect an external room thermostat ATDZ-050-1 for smoother control. Sold separately. Parallel connection to run more than one air heater. Not more than 15 air heating units with EC-Blue fans can be controlled parallel on a single ATDZ-322-EC.



TECHNICAL DATA

Type	Room thermostat with display and communication
Item no.	ATDZ-322-EC
Supply voltage	230 V AC \pm 10%, 50/60 Hz
Self-consumption	3 W, class II-design
Ambient temperature	0...50 °C
Storage temperature	-20...+70 °C
Ambient humidity	Max. 90% RH
Protection class	IP20
Communication	RS485 (Modbus or EXOline) or BACnet
Display	LCD with background lighting
Built-in thermostat	Type NTC, measurement range 0...50 °C
Terminals	Lift type for the cables max. 2,1mm ²
Material, casing	Polycarbonate, PC
Color	Cover Polar white RAL9010 Bottom part light grey

Control and Regulation Equipment

ROOM THERMOSTAT ATDZ-050-1

Room thermostat with modern design that blends in with every environment. Designed to use with ATDZ-322-EC control unit for consistent regulation. Easy and fast installation with snap-off cap. Suitable placement approx. 1.6m above floor surface, centrally in the room with equal distance to the air heating units.

TECHNICAL DATA

Type	Room thermostat
Item no.	ATDZ-050-1
Temperature range	0...50 °C
Thermostat components	PT1000, 1000 Ω/0°C, DIN class B
Protection class	IP30
Material, casing	Polycarbonate
Color cover bottom section	Polar white RAL9010 Light grey RA7004



Control and Regulation Equipment



- 100% protection against leakage in valves
- Normally open (NO) model
- Quiet and maintenance-free
- Modern design
- Compact design
- Protection class IP54

Valve and actuator, set ATDZ-017-1-3

Made to fit ATD sizes 30 and 40

Includes:

- 1 valve ATDZ-017-1-1
- 1 actuator ATDZ-017-1-2
- 1 compression ring nut
- 1 support sleeve



Valve

ATDZ-017-1-1

Zone valve, 2-way,
Kvs 0,17...1,9
Manually adjustable kvs
External threads G 3/4" / G20
Pressure class PN10
Media temperature max. 90 °C
Glycol mixed water with max. 30% glycol
Made to fit ATD sizes 30 and 40
Designed to use with thermo-actuator
ATDZ-017-1-2
Including
1 compression ring nut
1 support sleeve



Actuator

ATDZ-017-1-2

Thermo-actuator, 230V,
2m cable,
Rated power 1 W

Made to fit ATD sizes 30 and 40
Designed to use with valve ATDZ-017-1-1

Valve and actuator, set ATDZ-017-2-3

Made to fit ATD sizes 50 and 60

Includes

- 1 valve ATDZ-017-2-1
- 1 actuator ATDZ-017-2-2
- 1 compression ring nut
- 1 support sleeve



Valve

ATDZ-017-2-1

Zone valve, 2-way,
Kvs 4,0
External threads G 3/4" / G20
Pressure class PN16
Media temperature max. 95 °C
Glycol mixed water with max. 40% glycol.
Made to fit ATD sizes 50 and 60
Designed to use with thermo-actuator
ATDZ-017-2-2
Including
1 compression ring nut
1 support sleeve



Actuator

ATDZ-017-2-2

Thermo-actuator, 230V,
2m cable
Rated power 1,2 W

Made to fit ATD sizes 50 and 60.
Designed to use with valve ATDZ-017-2-1

Technical Data ATDA

OPERATING DATA ATDA

- Max. Operating pressure: 1.6 MPa at max. operating temperature 110 °C.
- Every heat exchanger is leakage tested with dry air under water.
- Designed and manufactured compliant with Pressure Equipment Directive PED/97/23/ec.
- Highest dimensioned air temperature is:
50 °C for size 30
50 °C for size 40
60 °C for sizes 50 and 60
- Complies with ERP 2015 regarding efficiency requirements for fans.



Motor data, nominal ATDA

ATDA Size	Voltage V	Fan speed RPM	Rated power W	Rated current A	Air tightness class IP
31	200-240	1450	65	0.76-0.64	54
32	200-240	1450	65	0.76-0.64	54
33	200-240	1450	65	0.76-0.64	54
42	200-240	1450	110	1.15-0.98	54
43	200-240	1450	110	1.15-0.98	54
52	200-277	880	180	0.94-0.68	54
53	200-277	880	180	0.94-0.68	54
63	200-277	1120	380	1.95-1.40	54

Values for 1 phase 230 V, 50 Hz.

Throw length, horizontal ATDA

ATDA Size	Fan speed RPM	Length m
31	1450	5.8
	-60%	2.8
	-20%	1.6
32	1450	5.8
	-60%	2.8
	-20%	1.6
33	1450	5.0
	-60%	2.5
	-20%	1.5
42	1450	7.5
	-60%	4.1
	-20%	1.5
43	1450	6.0
	-60%	3.8
	-20%	1.2
52	880	7.5
	-60%	4.4
	-20%	1.0
53	880	7.5
	-60%	4.3
	-20%	1.0
63	1120	10.0
	-60%	4.0
	-20%	0.5

Technical Data ATDA

ATDA	Fan speed	Air flow	60 - 40°C				Rated power	Rated current	Sound pressure level, 5m	Sound power Level	Linear sound power, dB Octave band, Hz								
			Power	Temp, Air out	Water flow	Pressure drop					63	125	250	500	1000	2000	4000	8000	16000
Size	RPM	m ³ /s	kW	°C	l/s	kPa	W	A	[dB(A)]	[dB(A)]									
31	1450	0.42	3.3	21.2	0.04	1.25	51	0.47	44	69	40	48	57	59	63	64	61	52	43
	~60%	0.29	2.8	22.6	0.03	0.92	18	0.2	33	58	35	42	49	49	53	54	49	38	38
	~20%	0.20	2.4	24.3	0.03	0.68	9	0.11	25	50	30	33	43	42	45	44	37	27	36
32	1450	0.39	7.8	31.5	0.09	11.4	53	0.5	43	68	42	50	57	59	63	64	60	51	42
	~60%	0.25	6	34.8	0.07	7.05	18	0.2	33	58	37	42	48	49	53	53	47	36	37
	~20%	0.18	4.8	37.1	0.06	4.78	9	0.11	25	50	31	35	43	42	45	43	36	27	34
33	1450	0.35	9.9	38.4	0.12	24.4	54	0.51	44	69	43	55	60	61	64	64	59	51	41
	~60%	0,23	7,5	41,8	0,09	14,8	18	0,2	33	58	40	44	49	52	53	52	46	35	37
	~20%	0.16	5.7	44.5	0.07	9.2	8	0.11	25	50	32	36	44	43	45	42	34	26	34
42	1450	0.78	15.6	31.5	0.19	10	93	0.86	44	69	46	55	60	59	62	64	61	53	43
	~60%	0.48	11,7	35,1	0,14	5,9	25	0,27	34	59	32	43	51	50	54	54	48	36	39
	~20%	0.29	8.3	38.6	0.1	3.2	8	0.10	22	47	24	33	39	39	43	40	31	25	35
43	1450	0.71	20.4	38.4	0.25	23.2	102	0.91	44	69	50	54	60	59	62	63	61	52	43
	~60%	0.42	14,4	42,7	0,17	12,6	24	0,25	32	57	34	46	47	47	52	52	47	34	39
	~20%	0.25	9.7	46.9	0.12	6.1	8	0.10	21	46	23	30	36	39	42	39	30	25	36
52	880	1.18	23.4	30.3	0.28	8.6	167	0.74	43	68	36	50	58	60	62	61	63	54	41
	~60%	0,70	16,8	34,5	0,2	4,7	45	0,24	31	56	31	42	46	46	49	53	44	32	34
	~20%	0.23	8.4	45	0.1	1.4	8	0.12	14	39	19	23	37	26	25	25	26	25	28
53	880	1.08	29	36.7	0.35	8.7	174	0.77	43	68	37	50	58	59	61	61	63	53	41
	~60%	0.63	20	41,3	0,24	4,5	46	0,25	30	55	31	40	44	46	49	52	43	31	35
	~20%	0.21	9.1	51	0.11	1.1	8	0.13	14	39	20	28	35	29	27	25	26	25	29
63	1120	1.56	42.1	36.9	0.51	20.8	347	1.52	50	75	43	60	63	66	68	66	70	62	50
	~60%	0.89	29,3	41,6	0,35	10,9	76	0,36	37	62	40	45	49	52	54	58	54	41	35
	~20%	0.22	10.2	53.5	0.12	1.7	8	0.13	15	40	19	28	38	27	26	25	26	25	29

Technical Data ATDC

OPERATING DATA ATDC

- For hot and cold water, adapted for hot and cold air.
- Drain pan always delivered as stainless steel designed with outlet at bottom to allow drainage for condensation when cooling
- Max. operating pressure: 1,6 MPa at max. operating temperature 110 °C.
- Every heat exchanger is leakage tested with dry air under water.
- Designed and manufactured compliant with Pressure Equipment Directive PED/97/23/EC.
- Highest dimensioned air temperature is:
50 °C for size 30
50 °C for size 40
60 °C for sizes 50 and 60
- Complies with ERP 2015 regarding efficiency requirements for fans.

MOTOR DATA, NOMINAL ATDC

ATDC Size	Voltage V	Fan speed RPM	Rated power W	Rated current A	Air tightness class IP
33	200-240	1450	65	0.76-0.64	54
43	200-240	1450	110	1.15-0.98	54
53	200-277	880	180	0.94-0.68	54
63	200-277	1120	380	1.95-1.40	54

Values for 1 phase 230 V, 50 Hz.

Throw length for ATDC with cold water at 6 °C is approx. 6 times longer than for ATDA.

Example: ATDC-43 has approx. 25m throw length at 60% speed.



ATDC in stainless steel design



ATDC in white enamelled sheet with stainless steel drop pan

Technical Data ATDC

POWER TABLE AND NOISE DATA - INCOMING AIR TEMPERATURE +25 °C ATDC.

ATDC	Fan speed	Air flow	Cooling water 6-16 °C				Rated power	Rated current	Sound pressure Level, 5m	Sound power Level	Linear sound power, dB								
			Power	Temp, Air out	Water flow	Pressure drop					Octave band, Hz								
Size	RPM	m³/s	kW	°C	l/s	kPa	W	A	[dB(A)]	[dB(A)]	63	125	250	500	1000	2000	4000	8000	16000
33	1450	0.35	3.5	16.6	0.08	16	54	0.51	44	69	43	55	60	61	64	64	59	51	41
	~60%	0,23	2,7	15,4	0,06	9,8	18	0,2	33	58	40	44	49	52	53	52	46	35	37
	~20%	0.16	2	14.5	0.05	6	8	0.11	25	50	32	36	44	43	45	42	34	26	34
43	1450	0.71	7.3	16.6	0.18	15.3	102	0.91	44	69	50	54	60	59	62	63	61	52	43
	~60%	0,42	5,2	15,1	0,12	8,3	24	0,25	32	57	34	46	47	47	52	52	47	34	39
	~20%	0.25	3.4	13.7	0.08	4	8	0.10	21	46	23	30	36	39	42	39	30	25	36
53	880	1.08	9.5	17.6	0.23	4.8	174	0.77	43	68	37	50	58	59	61	61	63	53	41
	~60%	0,63	6,4	16,3	0,15	2,4	46	0,25	30	55	31	40	44	46	49	52	43	31	35
	~20%	0.21	3	13.5	0.07	0.5	8	0.13	14	39	20	28	35	29	27	25	26	25	29
63	1120	1.56	14.6	17.1	0.35	12.9	347	1.52	50	75	43	60	63	66	68	66	70	62	50
	~60%	0,89	10,1	15,5	0,24	6,6	76	0,36	37	62	40	45	49	52	54	58	54	41	35
	~20%	0.22	3.5	12	0.08	0.8	8	0.13	15	40	19	28	38	27	26	25	26	25	29

POWER TABLE AND NOISE DATA - INCOMING AIR TEMPERATURE +15 °C ATDC.

ATDC	Fan speed	Air flow	Hot water 60-40 °C				Rated power	Rated current	Sound pressure Level, 5m	Sound power Level	Linear sound power, dB								
			Power	Temp, Air out	Water flow	Pressure drop					Octave band, Hz								
Size	RPM	m³/s	kW	°C	l/s	kPa	W	A	[dB(A)]	[dB(A)]	63	125	250	500	1000	2000	4000	8000	16000
33	1450	0.35	9.9	38.4	0.12	24.4	54	0.51	44	69	43	55	60	61	64	64	59	51	41
	~60%	0,23	7,5	41,8	0,09	14,8	18	0,2	33	58	40	44	49	52	53	52	46	35	37
	~20%	0.16	5.7	44.5	0.07	9.2	8	0.11	25	50	32	36	44	43	45	42	34	26	34
43	1450	0.71	20.4	38.4	0.25	23.2	102	0.91	44	69	50	54	60	59	62	63	61	52	43
	~60%	0,42	14,4	42,7	0,17	12,6	24	0,25	32	57	34	46	47	47	52	52	47	34	39
	~20%	0.25	9.7	46.9	0.12	6.1	8	0.10	21	46	23	30	36	39	42	39	30	25	36
53	880	1.08	29	36.7	0.35	8.7	174	0.77	43	68	37	50	58	59	61	61	63	53	41
	~60%	0,63	20	41,3	0,24	4,5	46	0,25	30	55	31	40	44	46	49	52	43	31	35
	~20%	0.21	9.1	51	0.11	1.1	8	0.13	14	39	20	28	35	29	27	25	26	25	29
63	1120	1.56	42.1	36.9	0.51	20.8	347	1.52	50	75	43	60	63	66	68	66	70	62	50
	~60%	0,89	29,3	41,6	0,35	10,9	76	0,36	37	62	40	45	49	52	54	58	54	41	35
	~20%	0.22	10.2	53.5	0.12	1.7	8	0.13	15	40	19	28	38	27	26	25	26	25	29

Technical Data ATDG

OPERATING DATA ATDG

- Max. operating temperature: 185 °C.
- Max. operating pressure: 1,0 MPa at max. operating temperature 185 °C.
- pH value of the steam may not fall below 8.5 and should normally be at 9.5.
- Oxygen levels - O₂ - may not exceed 0.01 mg/l.
- Designed and manufactured compliant with Pressure Equipment Directive PED/97/23/EC.
- All heat exchangers are tested to pressure 1,5 MPa dry air under water.
- Complies with ERP 2015 regarding efficiency requirements for fans.

MOTOR DATA, NOMINAL ATDG

ATDG Size	Voltage V	Fan speed RPM	Rated power W	Rated current A	Air tightness class IP
31	200-240	1450	65	0.76-0.64	54
41	200-240	1450	110	1.15-0.98	54
51	200-277	880	180	0.94-0.68	54



THROW LENGTH, HORIZONTAL ATDG

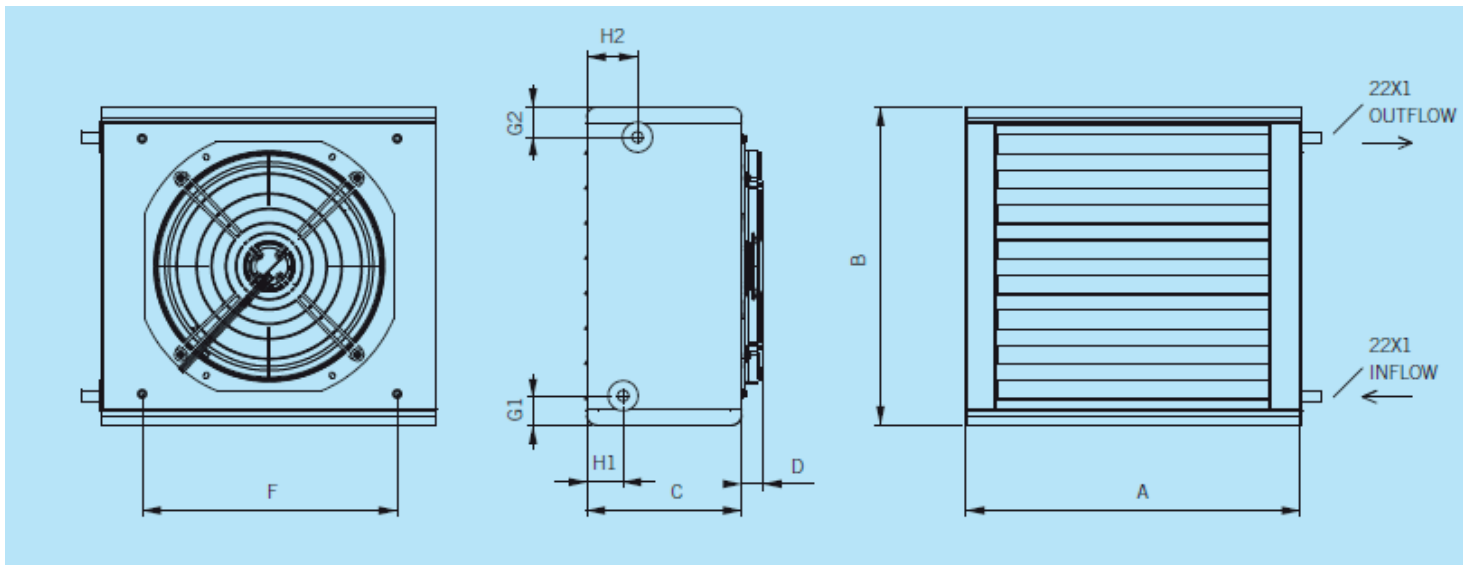
ATDG Size	Fan speed RPM	Length m	
31	1450	5.8	2.8
	~60%	~60%	
	~20%	1.6	
41	1450	7.5	4.1
	~60%	~60%	
	~20%	1.5	
51	880	7.5	4.4
	~60%	~60%	
	~20%	1.0	

POWER TABLE - INCOMING AIR TEMPERATURE +15 °C ATDG

ATDG Size	Fan speed RPM	Air flow m ³ /s	Steam 130°C/2,7 bar(a)		Steam 170°C/7,9 bar(a)		Rated power W	Rated current A
			Power kW	Temp, outflow air °C	Power kW	Temp, outflow air °C		
31	1450	0.35	11.5	36.4	15.6	44	51	0.47
	~60%	0.23	10	41.9	13.5	51.5	18	0.2
	~20%	0.16	8.6	48.6	11.7	60.7	9	0.11
41	1450	0.71	24.2	39.7	32.7	48.4	93	0.86
	~60%	0.42	20	48	27.1	59.8	25	0.27
	~20%	0.25	16.4	58.6	22.3	74.4	8	0.1
51	880	1.08	37.2	37.5	50.4	45.4	167	0.74
	~60%	0.63	30.2	46.2	41.2	57	45	0.24
	~20%	0.21	20.1	78.7	27.5	102	8	0.12

Dimensions and Weight: ATDA

FLÄKTLUFTVÄRMARE ATDA, VÄRMEVATTEN



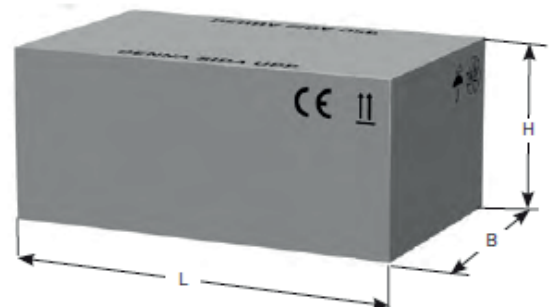
DIMENSIONS AND WEIGHT ATDA (all dimensions in mm)

Size ATDA	A	B	C	D	F	G1	G2	H1	H2	Weight inc. wall bracket		Weight inc. ceiling bracket	
										ATDA with Al fin, kg	ATDA with Cu fin, kg	ATDA with Al fin, kg	ATDA with Cu fin, kg
31	514	465	270	24	350	57	69	71	71	16	18	18	20
32	514	465	270	24	350	57	69	71	71	18	21	20	23
33	514	465	270	24	350	57	69	71	71	21	25	23	27
42	670	632	310	40	510	57	57	71	100	26	32	28	34
43	670	632	310	40	510	57	57	71	100	28	37	30	39
52	770	732	340	76	610	62	62	71	100	43	52	45	54
53	770	732	340	76	610	62	62	71	100	48	61	50	63
63	900	832	370	76	800	62	62	71	129	55	73	n/a	n/a

PACKAGING

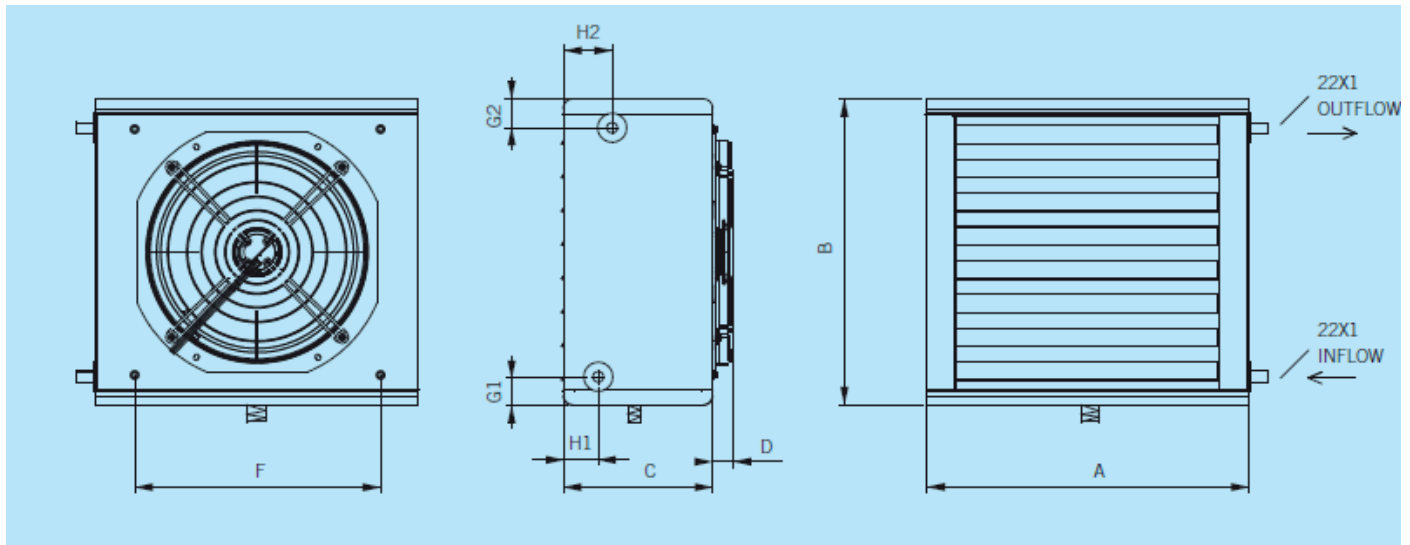
Air unit heater ATDA with accessories delivered in cardboard carton. The air unit heater is protected by transparent plastic. CE-marked.

PACKAGING ATDA				Package weight, ATDA inc. Wall bracket		Package weight, ATDA inc. Ceiling bracket	
Size ATDA	L (cm)	B (cm)	H (cm)	ATDA with Al fin, kg	ATDA with Cu fin, kg	ATDA with Al fin, kg	ATDA with Cu fin, kg
31	70	48	40	18	20	20	22
32	70	48	40	20	23	22	25
33	70	48	40	23	27	25	29
42	84	64	44	28	34	30	36
43	84	64	44	30	39	32	41
52	94	74	46	45	54	47	56
53	94	74	46	50	63	52	65
63	115	83	57	57	75	n/a	n/a



Dimensions and Weight: ATDC

FLÄKTLUFTKYLARE/FLÄKTLUFTVÄRMARE ATDC



DIMENSIONS AND WEIGHT ATDC (all dimensions in mm)

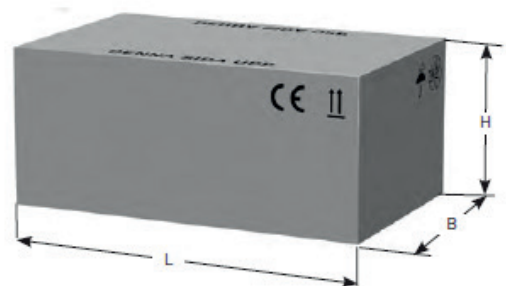
Size ATDC	A	B	C	D	F	G1	G2	H1	H2	Weight inc. wall bracket	
										ATDC with Al fin, kg	ATDC with Cu fin, kg
33	514	465	270	24	350	57	69	71	71	21	23
43	670	632	310	40	510	57	57	71	100	28	30
53	770	732	340	76	610	62	62	71	100	48	50
63	900	832	370	76	800	62	62	71	129	55	n/a

PACKAGING

Air unit heater ATDC with accessories delivered in cardboard carton. The air unit heater is protected by transparent plastic. CE-marked.

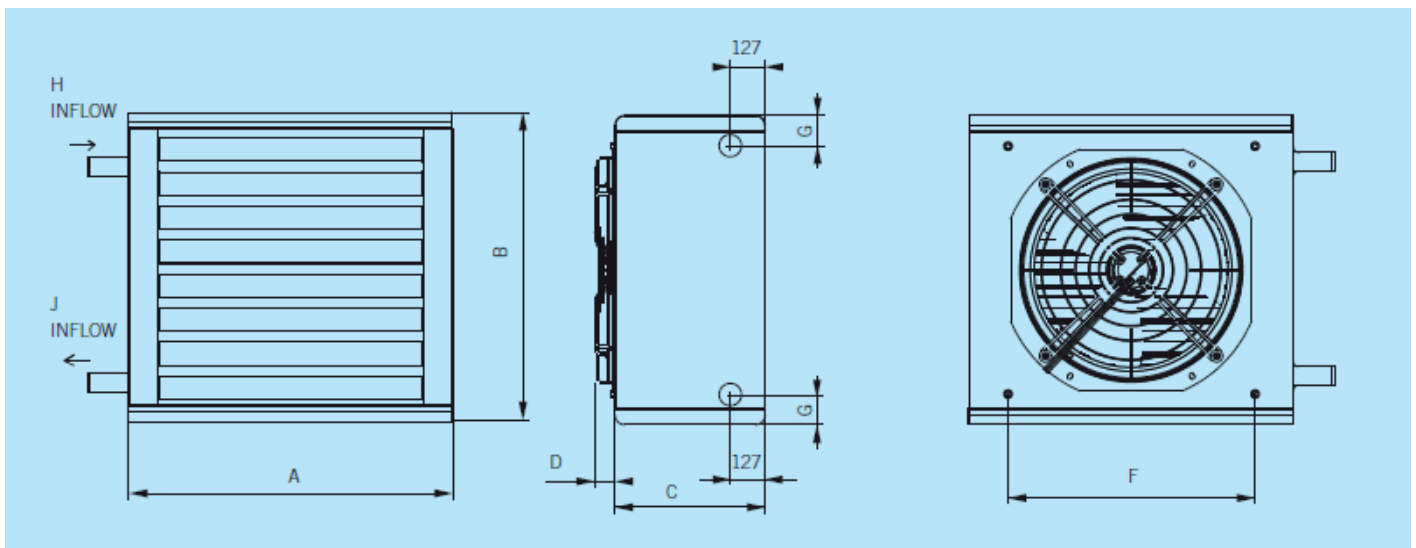
PACKAGING ATDC

Size ATDC	L (cm)	B (cm)	H (cm)	Package weight, ATDC inc. Wall bracket, kg	Package weight, ATDC inc. Ceiling bracket, kg
33	70	48	40	23	25
43	84	64	44	30	32
53	94	74	46	50	52
63	115	83	57	57	n/a



Dimensions and Weight: ATDG

AIR UNIT HEATER ATDG, STEAM



DIMENSIONS AND WEIGHT ATDG (all dimensions in mm)

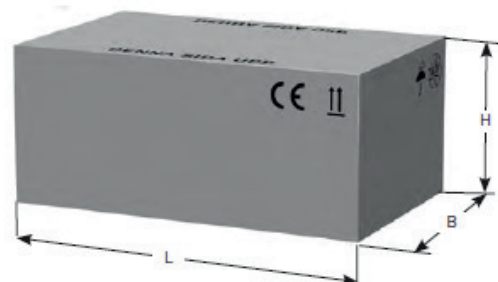
Size ATDG	A	B	C	D	F	G	Conn. No.		Weight inc. wall bracket		Weight inc. ceiling bracket	
							H	J	ATDG with Al fin, kg	ATDG with Cu fin, kg	ATDG with Al fin, kg	ATDG with Cu fin, kg
31	514	465	270	24	350	57	25	25	21	23	23	25
41	670	632	310	40	510	57	32	25	36	39	38	41
51	770	732	340	76	610	62	32	32	46	50	48	52

PACKAGING

Air unit heater ATDG with accessories delivered in cardboard carton. The air unit heater is protected by transparent plastic. CE-marked.

PACKAGING ATDG

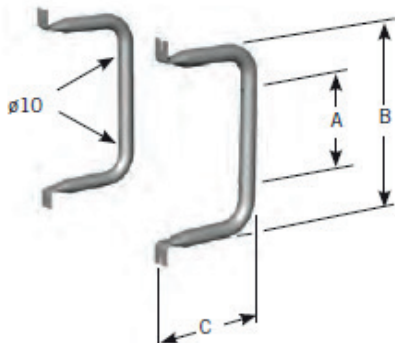
Size ATDG	L (cm)	B (cm)	H (cm)	Package weight, ATDG inc. Wall bracket	
				ATDG with Al fin, kg	ATDG with Cu fin, kg
31	70	48	40	25	27
41	84	64	44	40	43
51	94	74	46	50	54



Accessories

WALL BRACKET, SET, ATDZ-03-bb

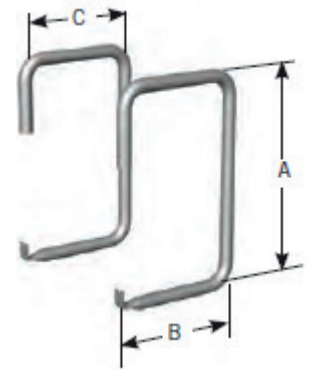
For fastening to wall by ATD for horizontal air deflection, or in ceiling for vertical air deflection for ATDA. The brackets are delivered in pairs of 2 pieces that are screwed onto the inflow side. Fastening screws included in delivery. White enamelled ATD are delivered with enamelled brackets. Stainless steel and acid-proof ATD are delivered with acid-proof brackets.



Size (bb)	Dimensions (mm)			Weight, kg per pair
	A	B	C	
30	180	340	200	1
40	340	500	250	2
50	440	600	300	3
60	540	700	300	4

CEILING BRACKET, SET, ATDZ-10-BB-C

For fastening to wall by ATD for horizontal air deflection. The brackets are delivered in pairs of 2 pieces that are screwed onto the inflow side. Fastening screws included in delivery. White enamelled ATD are delivered with enamelled brackets. Stainless steel and acid-proof ATD are delivered with acid-proof brackets.

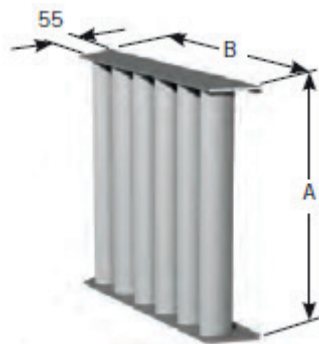


Size (bb)	Dimensions (mm)			Weight, kg per pair
	A	B	C	
30	590	360	200	3
40	750	450	290	4
50	850	500	340	5
60	-	-	-	-

EXTRA AIR CURRENT DEFLECTOR ATDZ-09-BB

The air current deflector is mounted on ATD for aim air to the side and consists of a frame with adjustable deflector blades. The blades are made of anodised aluminium. The frame is mounted on the air unit heater with plate screws included in delivery.

NOTE! Horizontally mounted air current deflector included in the ATD air unit heater.



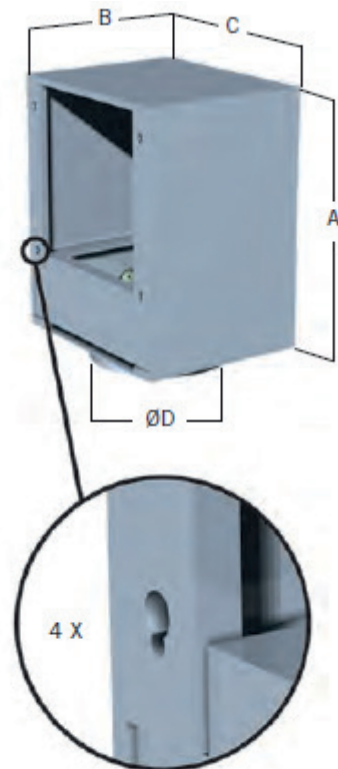
Size (bb)	Dimensions (mm)		Weight, kg per pair
	A	B	
30	404	436	1
40	554	586	2
50	654	686	3
60	742	686	3



Accessories

RECIRCULATED AIR SECTION WITH FILTER, ATDZ-02-BB

With an ATD mounted with a recirculated air section, the air is cleaned from particulates for a better, cleaner indoor climate and more constant temperature. This enables also connecting to a fresh air duct from forced intake air. The recirculated air section is made of an uninsulated white enamelled housing and has a short folded filter (single use) that can easily be replaced through an inspection hatch on the front. The filter material is fire-resistant polyester, filter class G85, compliant with VVS AMA 98 (EU3 as per EUROVENT 4/5). On the intake side, there is a spigot that fits circular duct standard SS EN-1506.

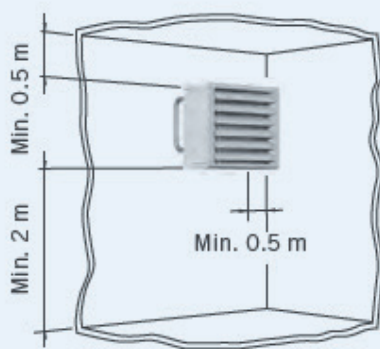


HINT!

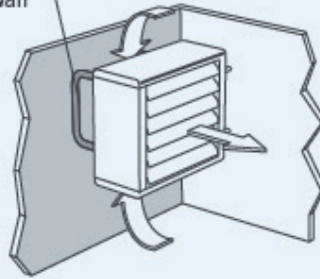
Remember to order extra filters, see the spare part list => ATDA-99-01-CC.

Size (bb)	Measure (mm)					Weight (kg)
	A	B	C	D	E	
30	550	370	390	315	350	12
40	710	550	570	500	520	21
50	810	550	670	500	610	26
60	-	-	-	-	-	-

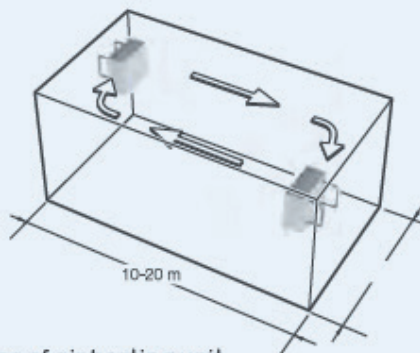
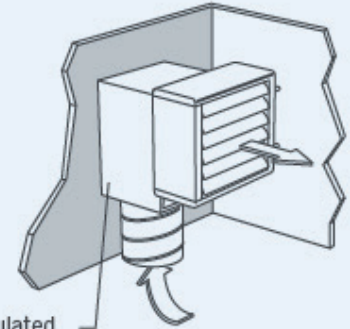
Installation Instructions



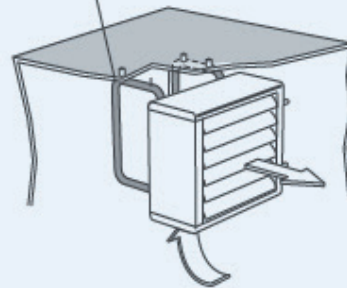
Bracket ATDZ-03
Mounted on wall



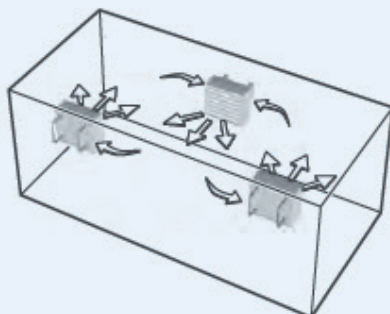
Recirculated
air section
ATDZ-02



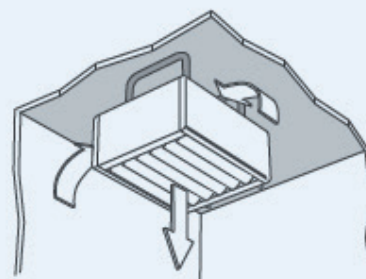
Bracket ATDZ-10
Mounting on suspended
ceilings



The choice of air heating unit determines the size of the space and number of heating units.



Locate the air heating units evenly in the space to ensure good circulation.



Ceiling mounting with brackets ATDZ-03 or vertical air flow Only for ATDA

Code Keys ATD

ATDA-aa-b-cc-dd-e

a_ = Size 3_, 4_, 5_, 6_
31, 32, 33, 42, 43, 52, 53, 63

_a = Capacity variant _1, _2, _3
31, 32, 33, 42, 43, 52, 53, 63
_1 = 1 Pipe row
_2 = 2 Pipe rows
_3 = 3 Pipe rows

b = Mains voltage, motor
1 = ~1230 V, 50 Hz, EC-motor

c_ = Material housing and bracket type
1 = White enamelled steel sheet and wall bracket
2 = Stainless steel sheet and wall bracket
3 = Acid proof stainless steel sheet and wall bracket
4 = White enamelled steel sheet and ceiling bracket
5 = Stainless steel sheet and ceiling bracket
6 = Acid proof stainless steel sheet and ceiling bracket

_c = Material fins and surface treatment
1 = Al fin
2 = Cu fin
3 = Corroplast fin (enamelled Al)
4 = Al fin, Heresite-painted vx
5 = Al fin, E-coating vx

dd = Regulation
E0 = No regulation
E1 = Manual speed selector and valve
E2 = Room thermostat "Basic" with sensor and manual valve
E3 = Room thermostat "Intelligent" with valve and actuator

e = Design number
4 = Internal code

ATDC-aa-b-cc-dd-e

a_ = Size 3_, 4_, 5_, 6_
33, 43, 53, 63

_a = Capacity variant _3,
33, 43, 53, 63
_3 = 3 Pipe rows

b = Mains voltage, motor
1 = ~1230 V, 50 Hz, EC-motor

c_ = Material housing and bracket type
1 = White enamelled steel sheet and wall bracket
2 = Stainless steel sheet and wall bracket
3 = Acid proof stainless steel sheet and wall bracket
4 = White enamelled steel sheet and ceiling bracket
5 = Stainless steel sheet and ceiling bracket
6 = Acid proof stainless steel sheet and ceiling bracket

_c = Material fins and surface treatment
6 = Hydrophilic fins (enamelled Al)

dd = Regulation
E0 = No regulation
E1 = Manual speed selector and valve
E2 = Room thermostat "Basic" with thermostat and manual valve

e = Design number
4 = Internal code

ATDG-aa-b-cc-dd-e

a_ = Size 3_, 4_, 5_
31, 41, 51

_a = Capacity variant _1,
31, 41, 51
_1 = 1 Pipe row

b = Mains voltage, motor
1 = ~1230 V, 50 Hz, EC-motor

c_ = Material housing and bracket type
1 = White enamelled steel sheet and wall bracket
2 = Stainless steel sheet and wall bracket
3 = Acid-proof stainless steel sheet and wall bracket
4 = White enamelled steel sheet and ceiling bracket
5 = Stainless steel sheet and ceiling bracket
6 = Acid-proof stainless steel sheet and ceiling bracket

_c = Material fins and surface treatment
1 = Al fin
2 = Cu fin
3 = Corroplast-fin (enamelled Al)
4 = Al fin, Heresite-painted vx
5 = Al fin, E-coating vx

dd = Regulation
E0 = No regulation
E1 = Manual speed selector
E2 = Room thermostat "Basic" with sensor

e = Design number
4 = Internal code

Code Keys Accessories

Spare Parts

ACCESSORIES ATDA, ATDG, ATDC

Return unit with filter	ATDZ-02-bb *)
Wall bracket, set	ATDZ-03-bb-c
Extra air current deflector	ATDZ-09-bb
Ceiling bracket, set	ATDZ-10-bb-c *)

bb = size 30, 40, 50 or 60

*) = not size 60

c = 1 for enamelled steel,

c = 3 for acid-proof stainless steel

ACCESSORIES, CONTROL

Control unit ATDA, ATDG, ATDC

Speed selector	ATDZ-100-EC
Room thermostat "Basic"	ATDZ-200-EC

Control unit for ATDA

Room thermostat "Intelligent"	ATDZ-322-EC
-------------------------------	-------------

Valve, actuators for ATDA, ATDC

Valve for sizes -3a and -4a	ATDZ-017-1-1
Actuator for sizes -3a and -4a	ATDZ-017-1-2
Valve and actuators for -3a och -4a	ATDZ-017-1-3

Valve for ATDA-5a and -6a	ATDZ-017-2-1
Actuator for ATDA-5a and -6a	ATDZ-017-2-2
Valve and actuators for -5a and -6a	ATDZ-017-2-3

Room thermostat for ATDZ-322-EC

Separate room thermostat IP30	ATDZ-050-1
-------------------------------	------------

HEAT EXCHANGERS ATDA YEAR 2007-04-

(battery body 1/2" aluminium fins)

ATDA-99-3-31-3
ATDA-99-3-32-3
ATDA-99-3-33-3
ATDA-99-3-42-3
ATDA-99-3-43-3
ATDA-99-3-52-3
ATDA-99-3-53-3
ATDA-99-3-63-3

HEAT EXCHANGERS ATDC YEAR 2007-04-

(battery body 1/2" hydropaint)

ATDC-99-3-33-3
ATDC-99-3-43-3
ATDC-99-3-53-3
ATDC-99-3-63-3

HEAT EXCHANGERS ATDG YEAR 2007-04-

(battery body 1/2" aluminium fins)

ATDG-99-3-31
ATDG-99-3-41
ATDG-99-3-51

FAN AND EC MOTOR UNIT WITH SAFETY GRILLE 2019-04-

ATDA-99-2-30-1-4
ATDA-99-2-40-1-4
ATDA-99-2-50-1-4
ATDA-99-2-60-1-4

REPLACEMENT FILTER

for recirculated air section

ATDA-99-01-30
ATDA-99-01-40
ATDA-99-01-50



For more than 100 years, Modine Manufacturing Company has been leading the way in thermal management. We provide the commercial, industrial and vehicular markets with trusted systems and solutions to manage heating and cooling and improve air quality. We're at work in practically every corner of the world, inside the things you see every day.